

БОЛЬШОЙ СКЛАД ЗАПЧАСТЕЙ В САНКТ-ПЕТЕРБУРГЕ

Для лодочных моторов Suzuki в наличии все ходовые запчасти, сервисные наборы, расходные материалы, оригинальные аксессуары, оригинальные и не оригинальные гребные винты, “ноги”, тросы для установки на лодку и многое другое.

Найдите в каталоге коды необходимых запчастей

и отправьте их список на Email: parts-katalog@yandex.ru

мы пришлём информацию о цене и наличии

Возможен самовывоз со склада в Санкт-Петербурге

или отправка EMS по России

Наш сайт: www.partskatalog.ru

Контактный телефон: +7 (981) 121-46-93

Особое внимание, обратите на модификацию двигателя. Сверьте серийный номер и скачайте «правильный» каталог запчастей. Не путайте старые моторы серии «Т» и новые серии «А».

SUZUKI

PARTS CATALOGUE

DT40W

DT40W
DT40WR
DT40WK



OUTBOARD MOTOR

P40/P90

2012-9

1ST EDITION

PREFACE

When it becomes necessary to replace parts on SUZUKI OUTBOARD MOTORS, always use SUZUKI GENUINE PARTS which have passed a strict inspection which guarantees quality and performance.

This parts catalogue covers the list of all service parts for SUZUKI DT40W production start 2012.

INSTRUCTIONS FOR QUOTING THE CATALOGUE

1. DIMENSIONS

Dimensions of the parts in this catalogue are indicated in unit millimeters.

2. ABBREVIATIONS

Abbreviations used in this catalogue are as follows:

AR	: As required	NT	: Number of teeth
ASSY	: Assembly	OPT	: Optional
E. NO.	: Engine number	OS	: Over size
F. NO.	: Frame number	STD	: Standard
D	: Diameter of material	T	: Thickness
ID	: Inside diameter	US	: Under size
OD	: Outside diameter	W	: Width
L	: Length	W/	: With
LH(PORT)	: Left hand side	S, L, L2	: Transom type
RH(STBD)	: Right hand side	SUS	: Stainless steel
~123456	: Up to E. NO. 04005-123456	PTT	: Power trim and tilt
123456~	: From E. NO. 04005-123456		

12 x 34 x 5.6..... Figures in the description column
| | | show the dimensions of parts.

ID OD T(or W, L)

→12345-56781 (Parts No.) : indicates that the parts number was changed to 12345-56781 and the new parts are interchangeable with the former ones but the former ones are not interchangeable with new ones.

←12345-56781 (Parts No.) : indicates that the former and new parts are interchangeable with each other and both are usable.

3. INNER PARTS OF ASSEMBLY

Part name with a dot (.) in front as shown in the description column indicates the component of the assembly also available individually.

4. MODIFICATION NOTICE

A parts bulletin will be sent to you on all occasions when changes in parts occur, including interchangeable modifications between new parts and old ones.

5. NOTE

5-1. There are some different parts from those of production models among spare parts for the administrative reasons and common use of them with other models.

5-2. In respect of rubber hoses and vinyl tubes, please be sure to use them by cutting off according to the length mentioned on parts catalogue or what is actually required on the vehicle.

5-3. Note that the drawings on the illustration page are for ready reference of spare parts number, not to be used as an assembly manual.
When assembling, use "SUZUKI SERVICE MANUAL".

6. SPECIFICATION CODE

This catalogue contains the parts for the model designed for the following spec. :

spec. code : DT40W : P40, P90
DT40WR : P40, P90
DT40WK : P40

7. MODEL NAME AND ENGINE NUMBER

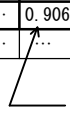
MODEL	DESTINATION	TYPE	TRANSOM	ENGINE No.
DT40W	P40	04005	S, L, L2	04005-310001~
DT40W	P90	04005	S	04005-310001~
DT40WR	P40	04005	L, L2	04005-310001~
DT40WR	P90	04005	S	04005-310001~
DT40WK	P40	04005K	S, L, L2	04005K-310001~

MILLIMETER → INCH CONVERSION CHART

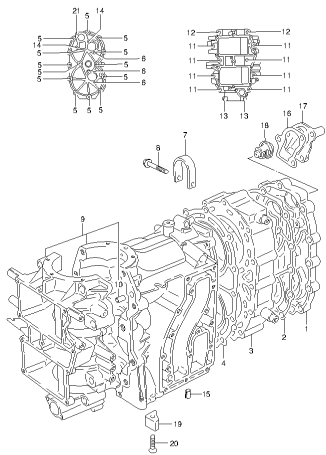
	0	1	2	3	4	5	6	7	8	9
00	.000	.039	.079	.118	.157	.197	.236	.276	.315	.354
10	.394	.433	.472	.512	.551	.591	.630	.669	.709	.748
20	.787	.827	.866	.906	.945	.984	1.024	1.063	1.102	1.142
30	1.181	1.220	1.260	1.299	1.339	1.378	1.417	1.457	1.496	1.535
40	1.575	1.614	1.654	1.693	1.732	1.772	1.811	1.850	1.890	1.929
50	1.969	2.008	2.047	2.087	2.126	2.165	2.205	2.214	2.283	2.323
60	2.362	2.402	2.441	2.480	2.520	2.559	2.598	2.638	2.677	2.717
70	2.756	2.795	2.835	2.874	2.913	2.953	2.992	3.031	3.071	3.110
80	3.150	3.189	3.228	3.268	3.307	3.346	3.386	3.425	3.465	3.504
90	3.543	3.583	3.622	3.661	3.701	3.740	3.780	3.819	3.858	3.898

How to read

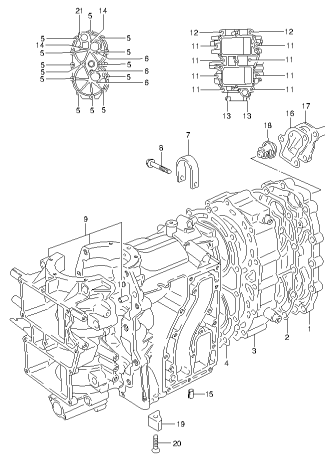
	0	1	2	3	4
00
10
20	0.906	...
30


 23 millimeters equal 0.906 inch

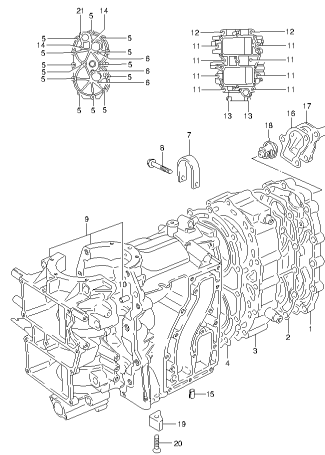
Contents are subject to change without notice or obligation.

FIG.1

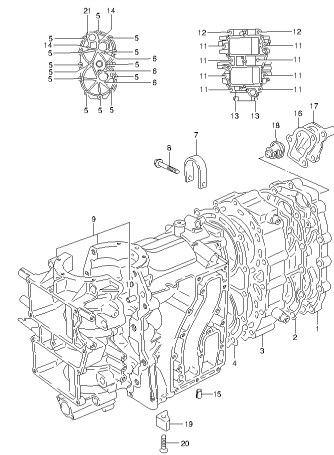
DT40W_F40_013_001
CYLINDER

FIG.2

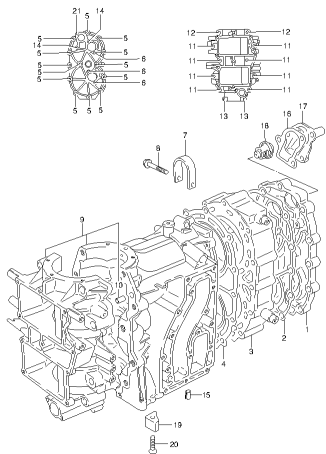
DT40W_F40_013_002
CYLINDER

FIG.3

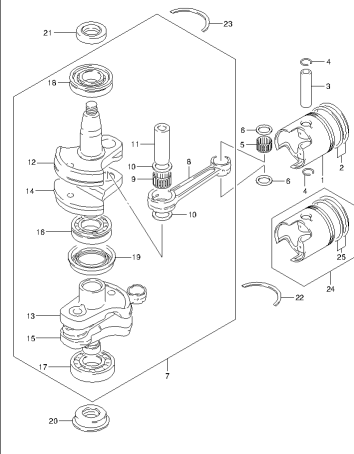
DT40W_F40_013_003
CYLINDER

FIG.4

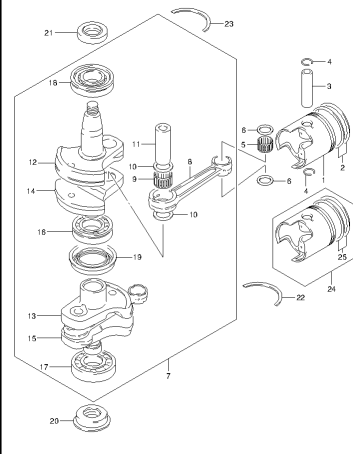
DT40W_F40_013_004
CYLINDER

FIG.5

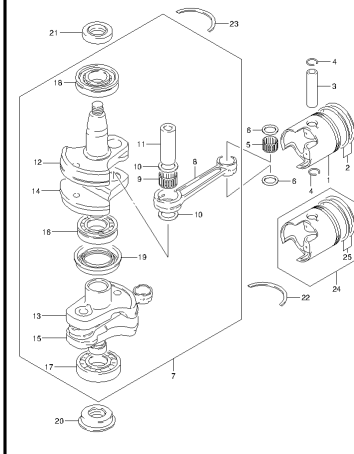
DT40W_F40_013_005
CYLINDER

FIG.6

DT40W_F40_013_006
CRANKSHAFT

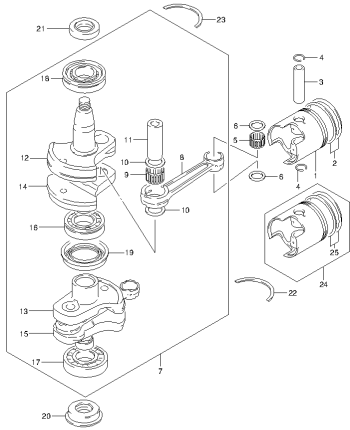
FIG.7

DT40W_F40_013_007
CRANKSHAFT

FIG.8

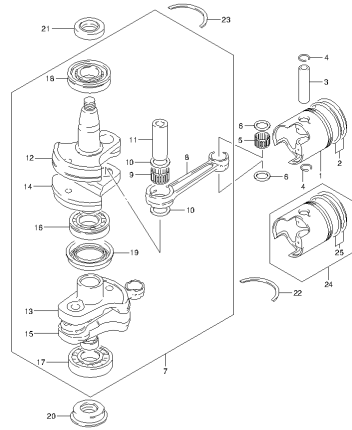
DT40W_F40_013_008
CRANKSHAFT

FIG.9



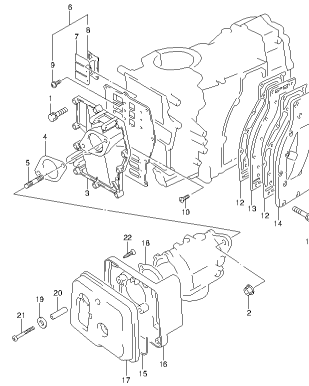
DT40W_F40_013_009
CRANKSHAFT

FIG.10



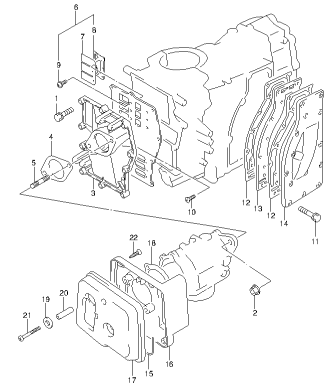
DT40W_F40_013_010
CRANKSHAFT

FIG.11



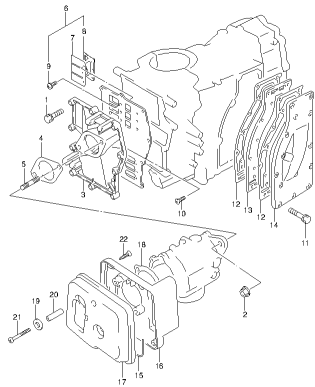
DT40W_F40_013_011
INLET CASE

FIG.12



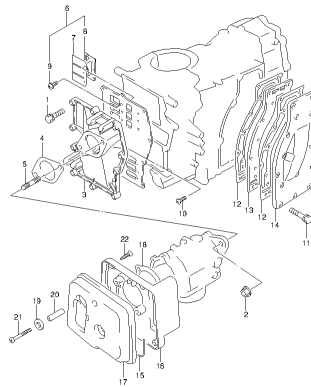
DT40W_F40_013_012
INLET CASE

FIG.13



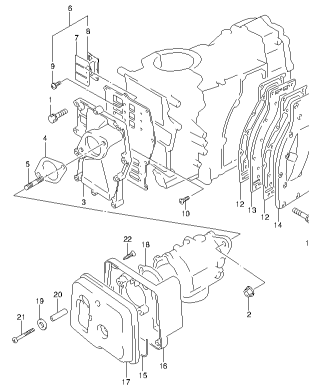
DT40W_F40_013_013
INLET CASE

FIG.14



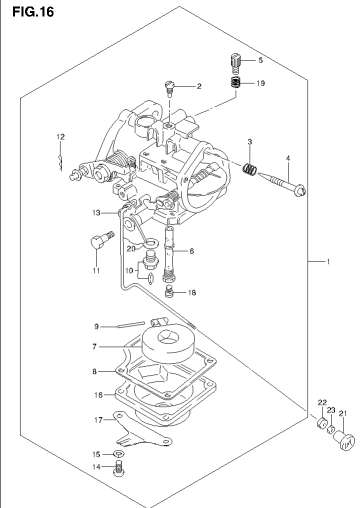
DT40W_F40_013_014
INLET CASE

FIG.15

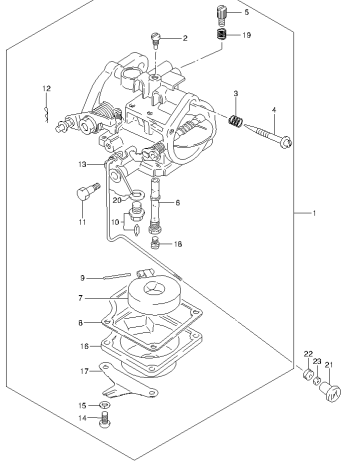


DT40W_F40_013_015
INLET CASE

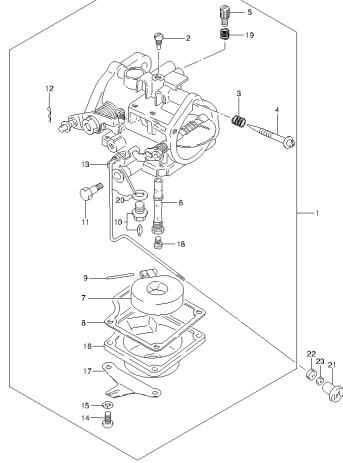
FIG.16



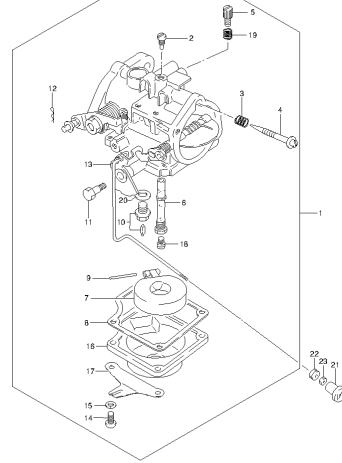
DT40W_F40_013_016
CARBURETOR

FIG.17

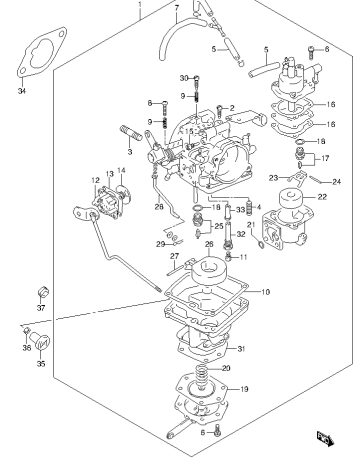
DT40W_F40_013_017
CARBURETOR

FIG.18

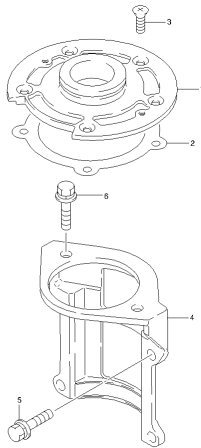
DT40W_F40_013_018
CARBURETOR

FIG.19

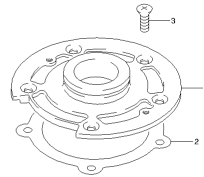
DT40W_F40_013_019
CARBURETOR

FIG.20

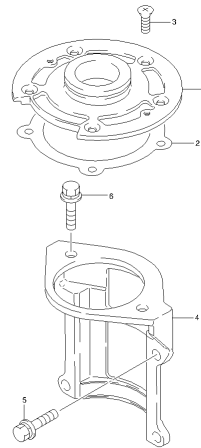
DT40W_F40_013_020
CARBURETOR

FIG.21

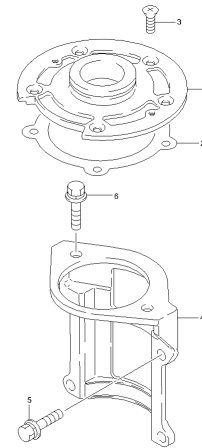
DT40W_F40_013_021
OIL SEAL HOUSING

FIG.22

DT40W_F40_013_022
OIL SEAL HOUSING

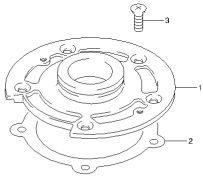
FIG.23

DT40W_F40_013_023
OIL SEAL HOUSING

FIG.24

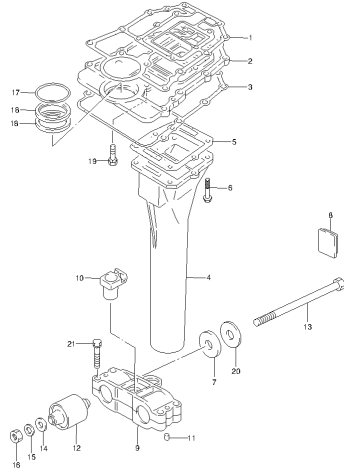
DT40W_F40_013_024
OIL SEAL HOUSING

FIG.25



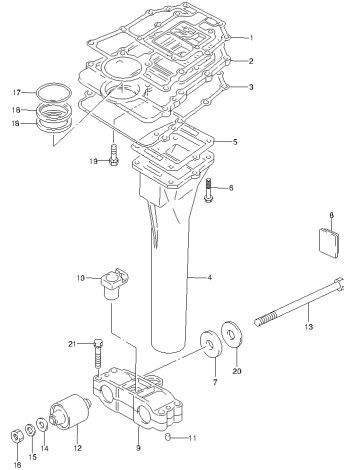
DT40W_F40_013_025
OIL SEAL HOUSING

FIG.26



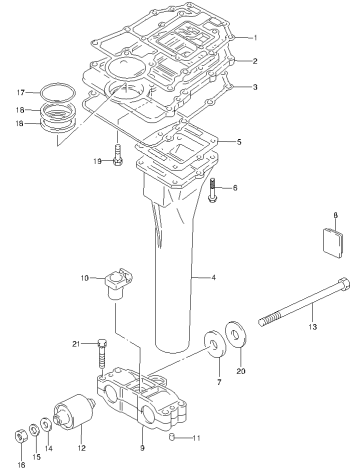
DT40W_F40_013_026
EXHAUST TUBE

FIG.27



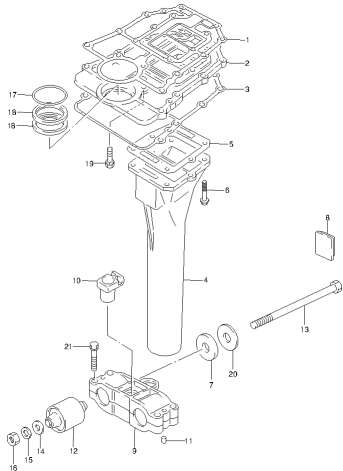
DT40W_F40_013_027
EXHAUST TUBE

FIG.28



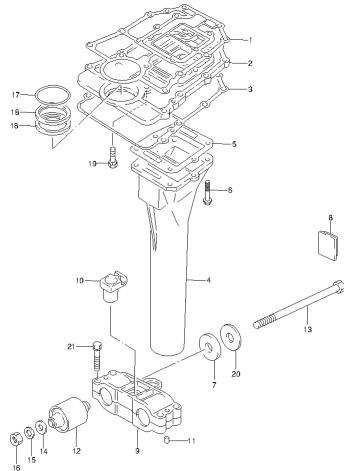
DT40W_F40_013_028
EXHAUST TUBE

FIG.29



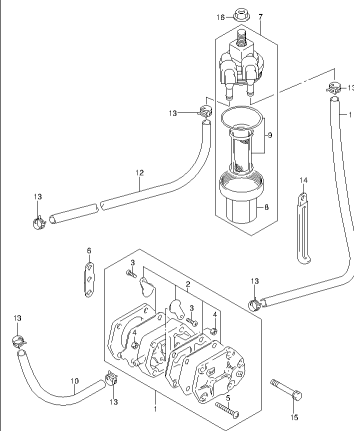
DT40W_F40_013_029
EXHAUST TUBE

FIG.30



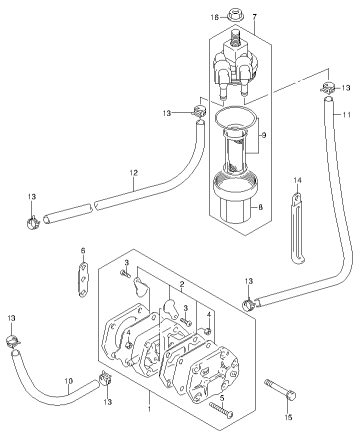
DT40W_F40_013_030
EXHAUST TUBE

FIG.31

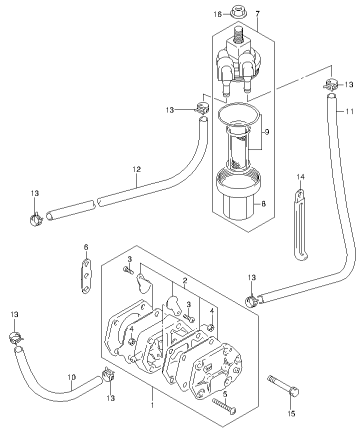


DT40W_F40_013_031
FUEL PUMP

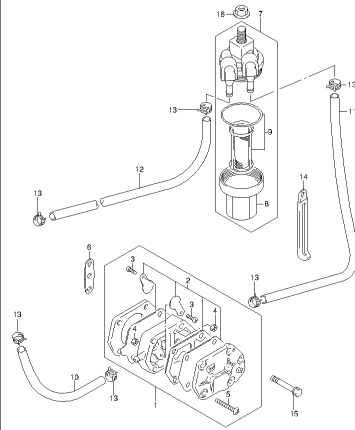
FIG.32



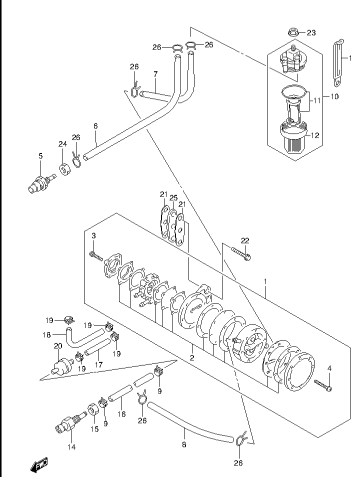
DT40W_F40_013_032
FUEL PUMP

FIG.33

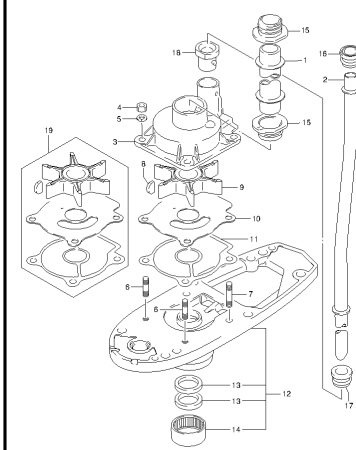
DT40W_F40_013_033
FUEL PUMP

FIG.34

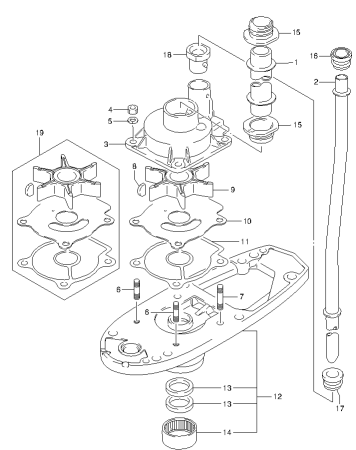
DT40W_F40_013_034
FUEL PUMP

FIG.35

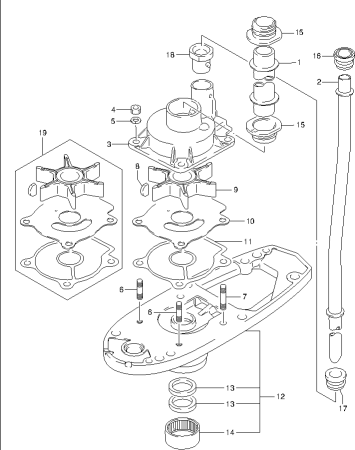
DT40W_F40_013_035
FUEL PUMP

FIG.36

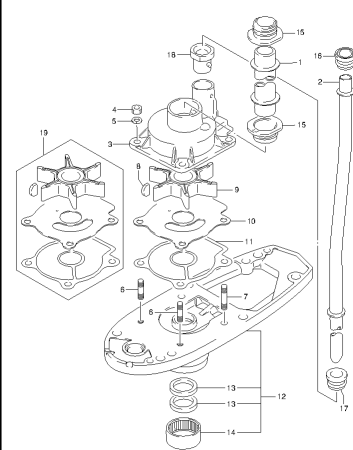
DT40W_F40_013_036
WATER PUMP

FIG.37

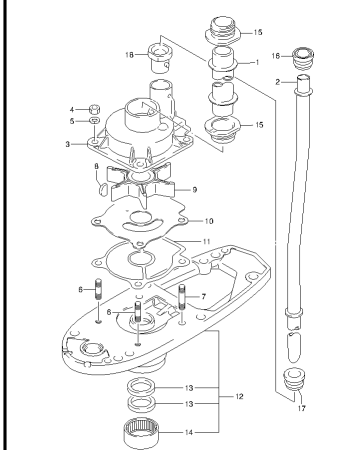
DT40W_F40_013_037
WATER PUMP

FIG.38

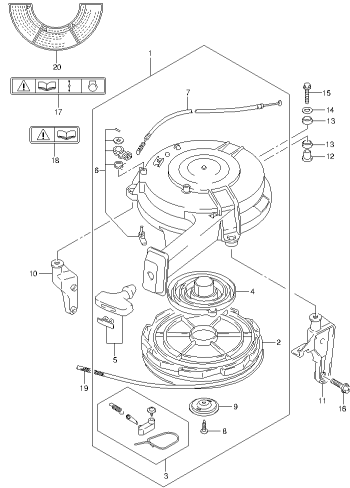
DT40W_F40_013_038
WATER PUMP

FIG.39

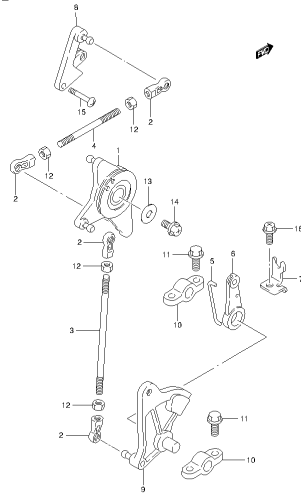
DT40W_F40_013_039
WATER PUMP

FIG.40

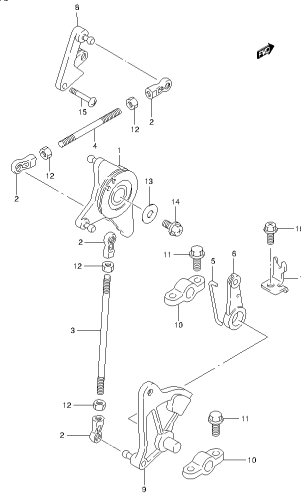
DT40W_F40_013_040
WATER PUMP

FIG.41

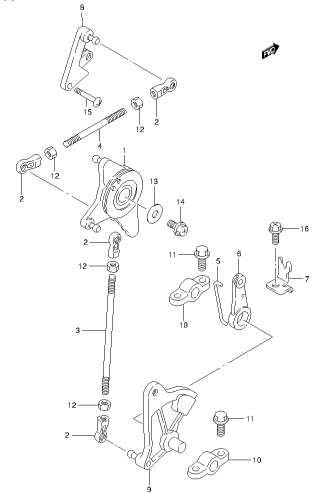
DT40W_F40_013_041
RECOIL STARTER

FIG.42

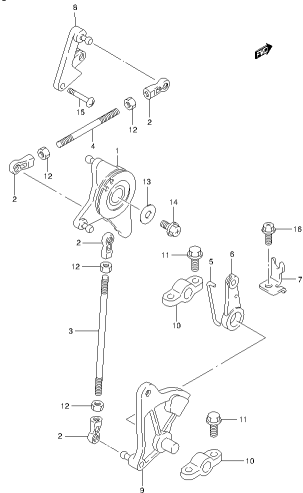
DT40W_F40_013_042
THROTTLE CONTROL

FIG.43

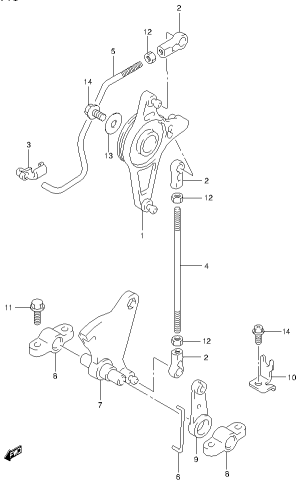
DT40W_F40_013_043
THROTTLE CONTROL

FIG.44

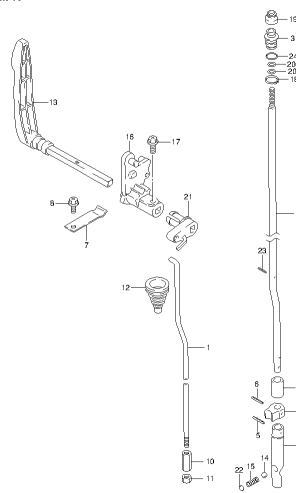
DT40W_F40_013_044
THROTTLE CONTROL

FIG.45

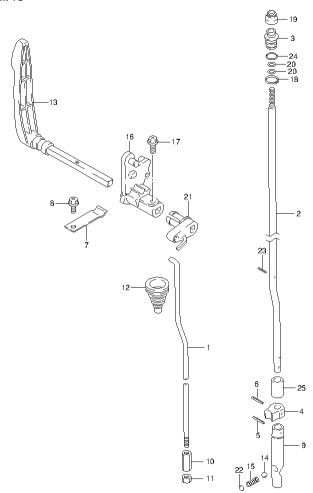
DT40W_F40_013_045
THROTTLE CONTROL

FIG.46

DT40W_F40_013_046
THROTTLE CONTROL

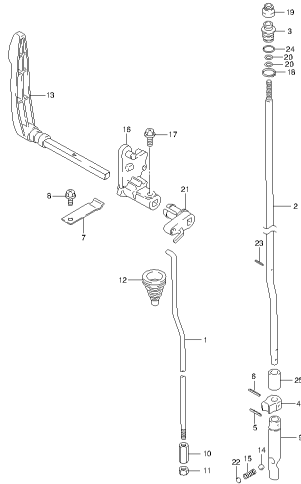
FIG.47

DT40W_F40_013_047
CLUTCH

FIG.48

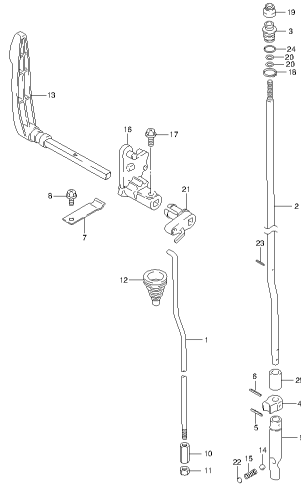
DT40W_F40_013_048
CLUTCH

FIG.49



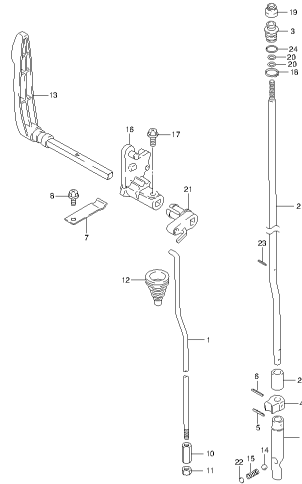
DT40W_F40_013_049
CLUTCH

FIG.50



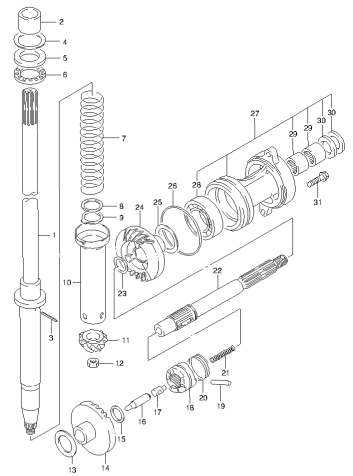
DT40W_F40_013_050
CLUTCH

FIG.51



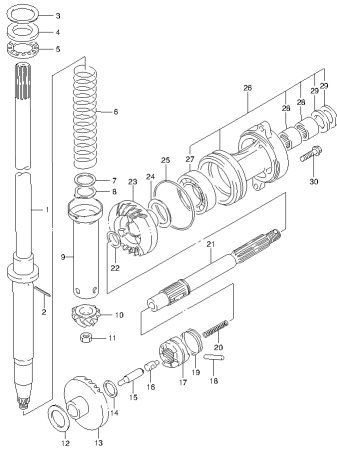
DT40W_F40_013_051
CLUTCH

FIG.52



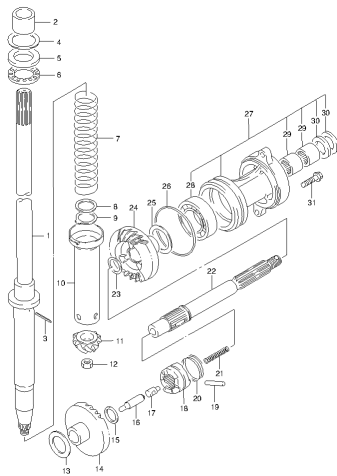
DT40W_F40_013_052
TRANSMISSION

FIG.53



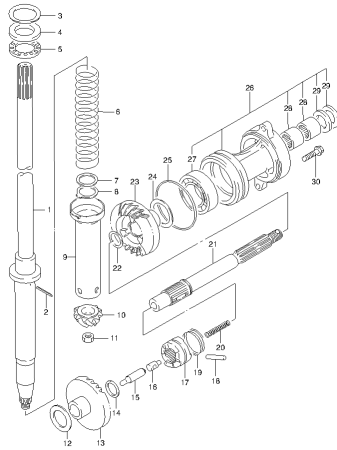
DT40W_F40_013_053
TRANSMISSION

FIG.54



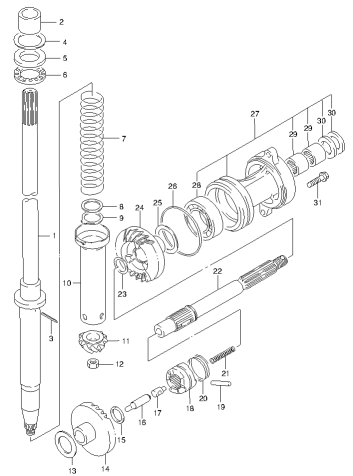
DT40W_F40_013_054
TRANSMISSION

FIG.55



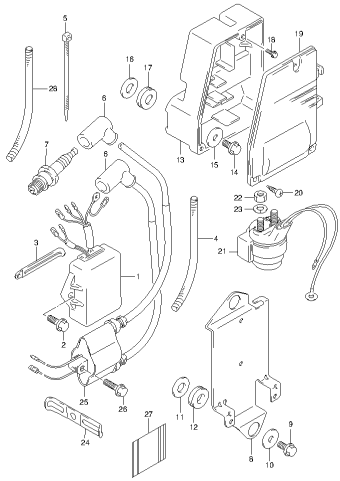
DT40W_F40_013_055
TRANSMISSION

FIG.56



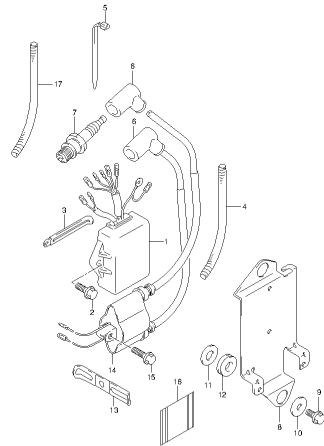
DT40W_F40_013_056
TRANSMISSION

FIG.65



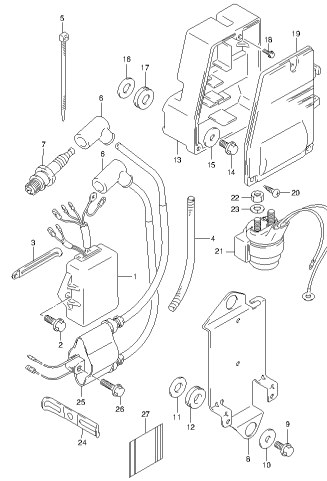
DT40W_F40_013_065
EGR/ITCON

FIG.66



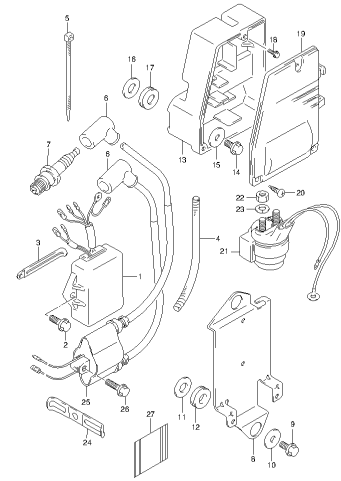
DT40W_F40_013_066
EGR/ITCON

FIG.67



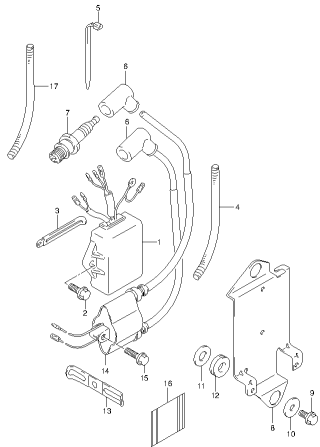
DT40W_F40_013_067
EGR/ITCON

FIG.68



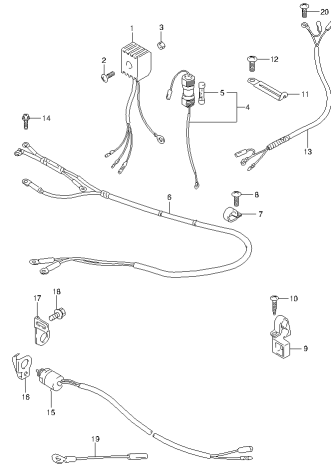
DT40W_F40_013_068
EGR/ITCON

FIG.69



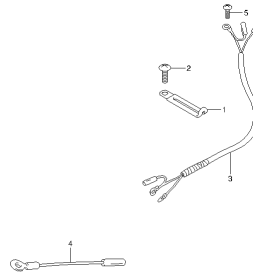
DT40W_F40_013_069
EGR/ITCON

FIG.70



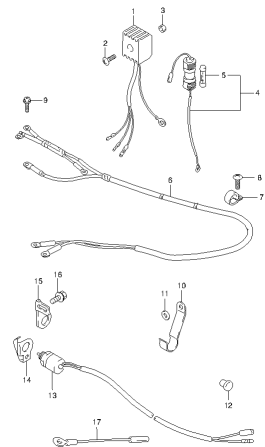
DT40W_F40_013_070
ELECTRICAL

FIG.71



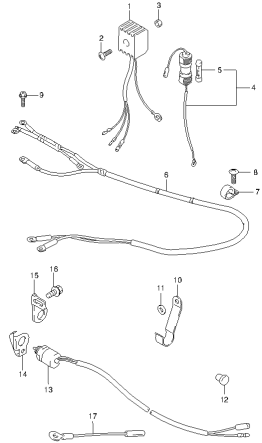
DT40W_F40_013_071
ELECTRICAL

FIG.72



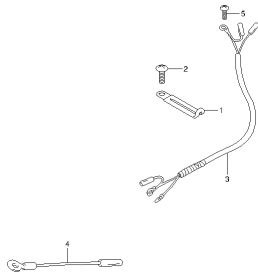
DT40W_F40_013_072
ELECTRICAL

FIG.73



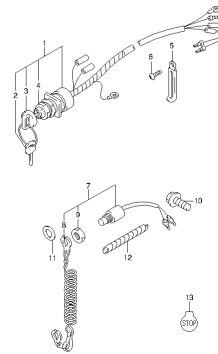
DT40W_F40_013_073
ELECTRICAL

FIG.74



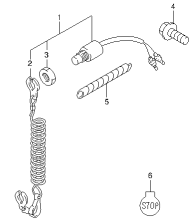
DT40W_F40_013_074
ELECTRICAL

FIG.75



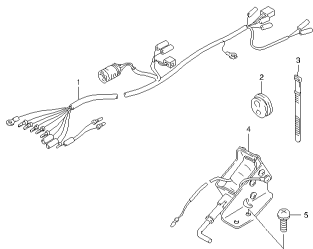
DT40W_F40_013_075
IGNITION SWITCH

FIG.76



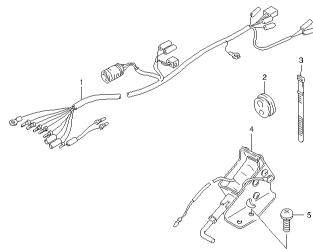
DT40W_F40_013_076
IGNITION SWITCH

FIG.77



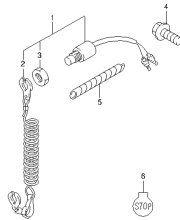
DT40W_F40_013_077
IGNITION SWITCH

FIG.78



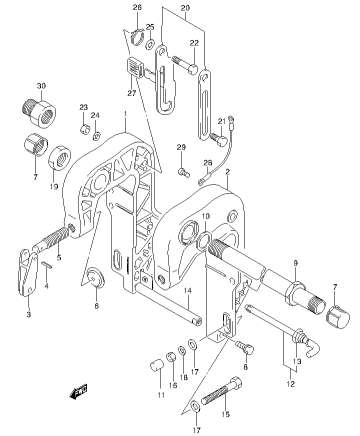
DT40W_F40_013_078
IGNITION SWITCH

FIG.79



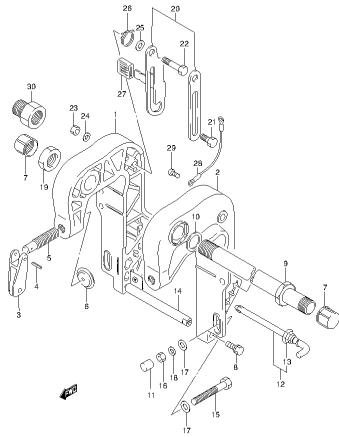
DT40W_F40_013_079
IGNITION SWITCH

FIG.80



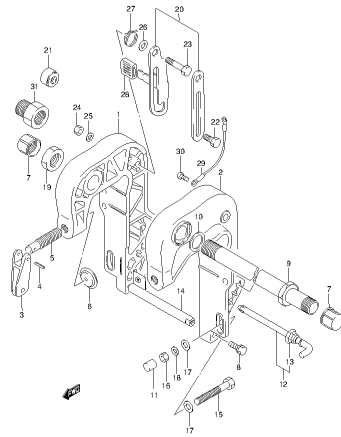
DT40W_F40_013_080
CLAMP BRACKET

FIG.81



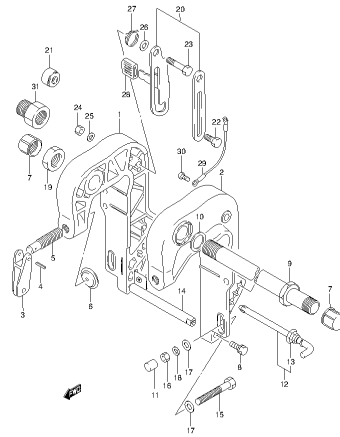
DT40W_F40_013_081
CLAMP BRACKET

FIG.82



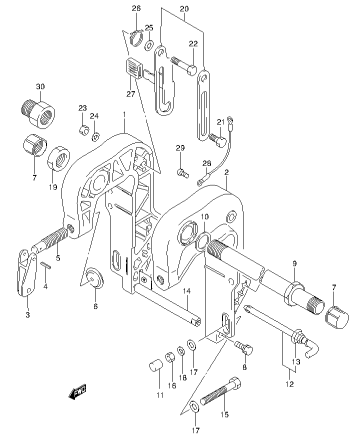
DT40W_F40_013_082
CLAMP BRACKET

FIG.83



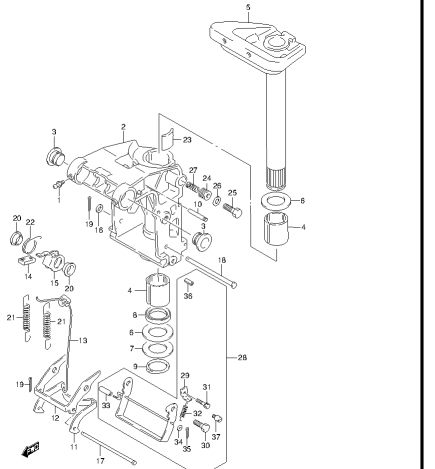
DT40W_F40_013_083
CLAMP BRACKET

FIG.84



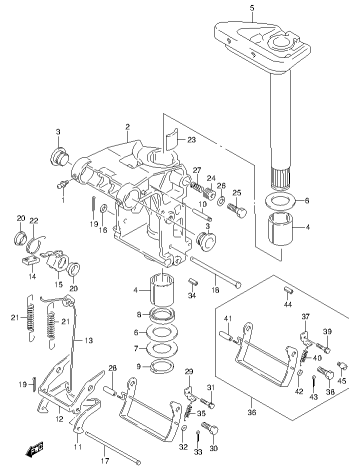
DT40W_F40_013_084
CLAMP BRACKET

FIG.85



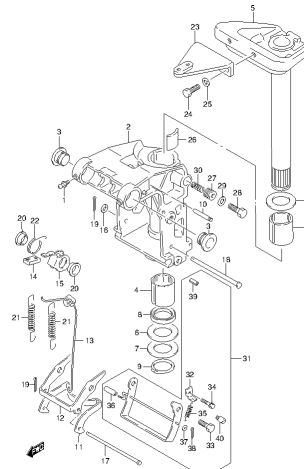
DT40W_F40_013_085
SWIVEL BRACKET

FIG.86



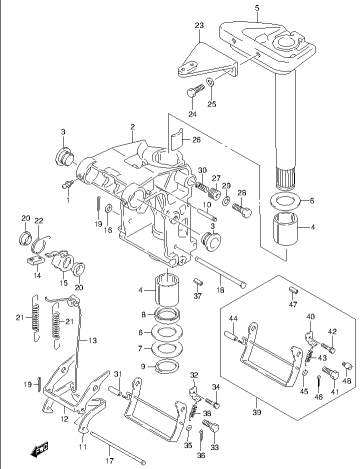
DT40W_F40_013_086
SWIVEL BRACKET

FIG.87



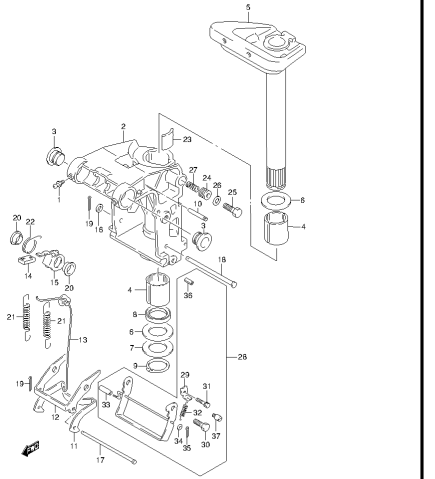
DT40W_F40_013_087
SWIVEL BRACKET

FIG.88



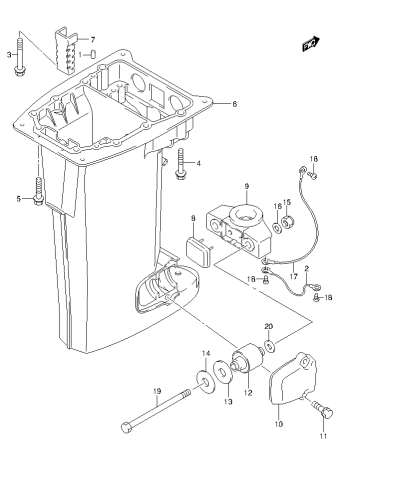
DT40W_F40_013_088
SWIVEL BRACKET

FIG.89



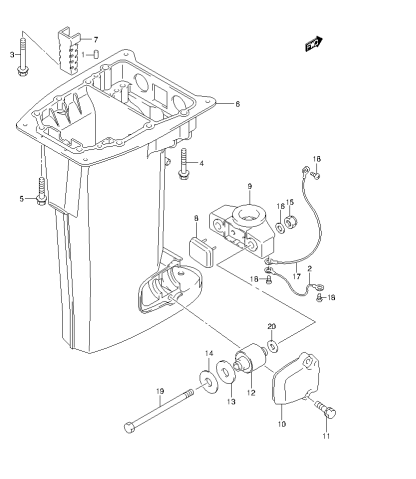
DT40W_F40_013_089
SWIVEL BRACKET

FIG.90



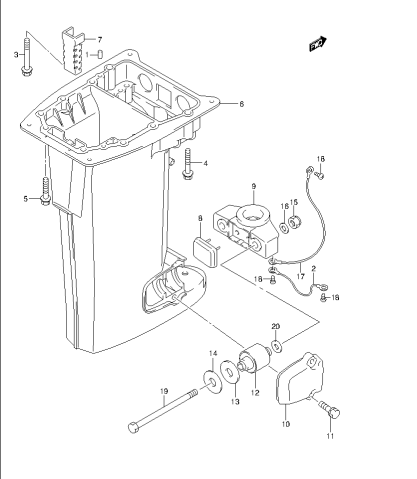
DT40W_F40_013_090
DRIVE SHAFT HOUSING

FIG.91



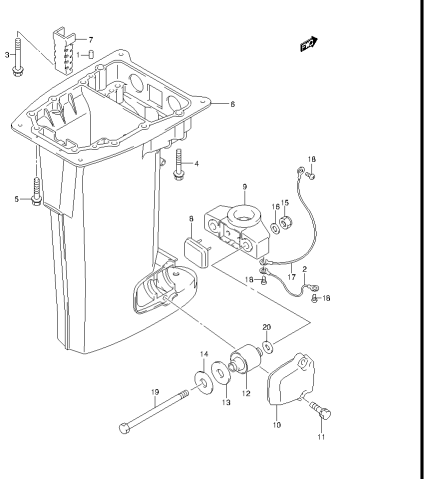
DT40W_F40_013_091
DRIVE SHAFT HOUSING

FIG.92



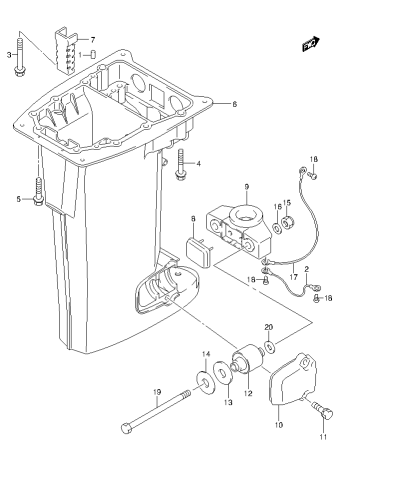
DT40W_F40_013_092
DRIVE SHAFT HOUSING

FIG.93



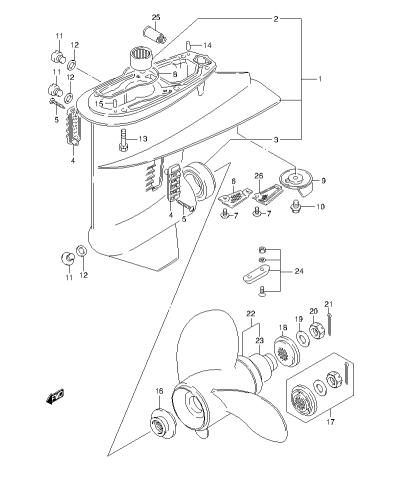
DT40W_F40_013_093
DRIVE SHAFT HOUSING

FIG.94



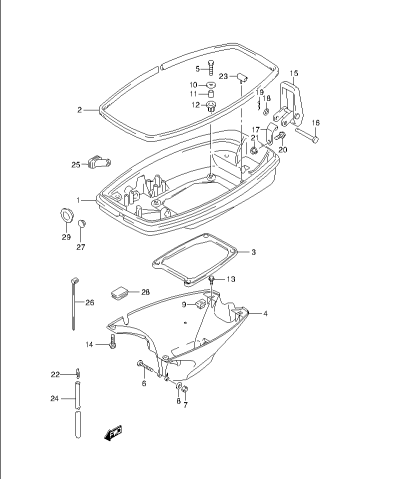
DT40W_F40_013_094
DRIVE SHAFT HOUSING

FIG.95



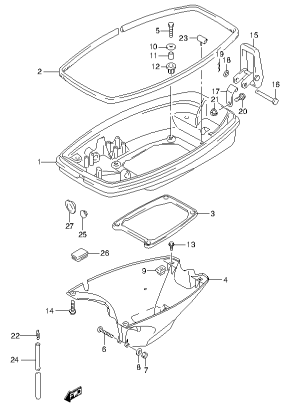
DT40W_F40_013_095
GEAR CASE

FIG.96



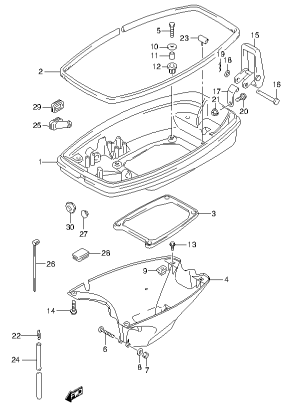
DT40W_F40_013_096
LOWER COVER

FIG.97



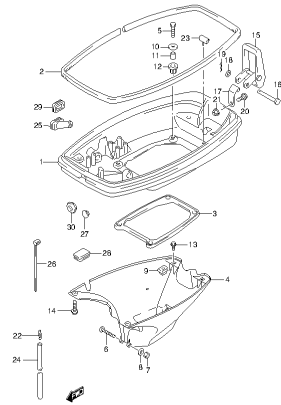
DT40W_F40_013_097
LOWER COVER

FIG.98



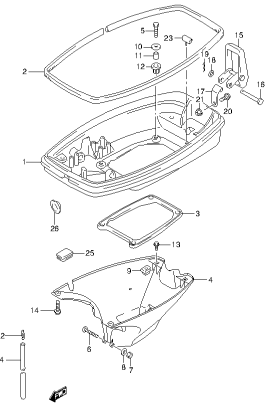
DT40W_F40_013_098
LOWER COVER

FIG.99



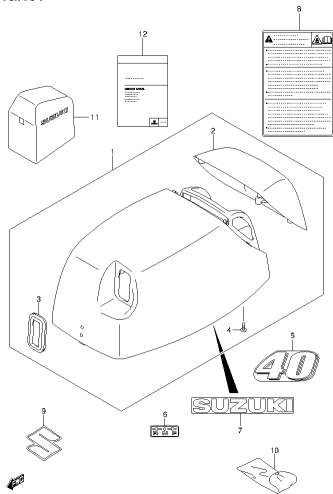
DT40W_F40_013_099
LOWER COVER

FIG.100



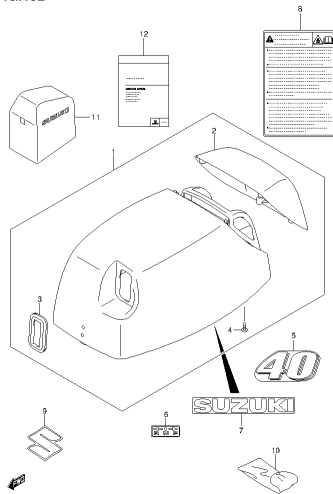
DT40W_F40_013_100
LOWER COVER

FIG.101



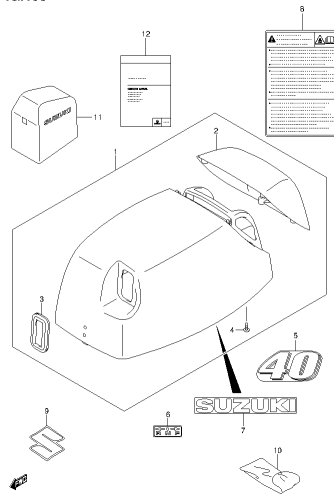
DT40W_F40_013_101
ENGINE COVER

FIG.102



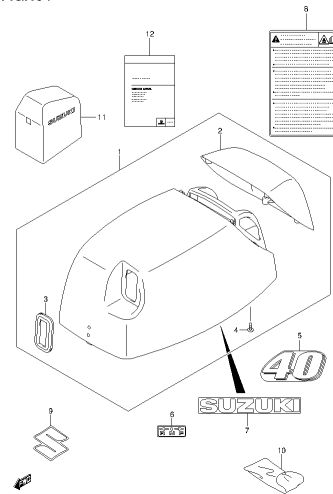
DT40W_F40_013_102
ENGINE COVER

FIG.103



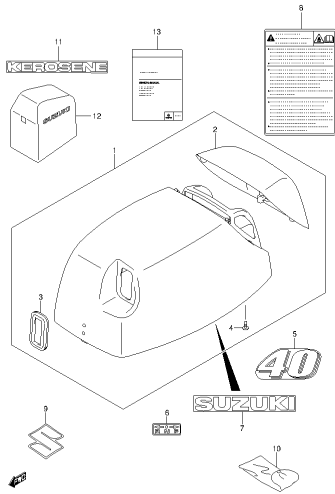
DT40W_F40_013_103
ENGINE COVER

FIG.104



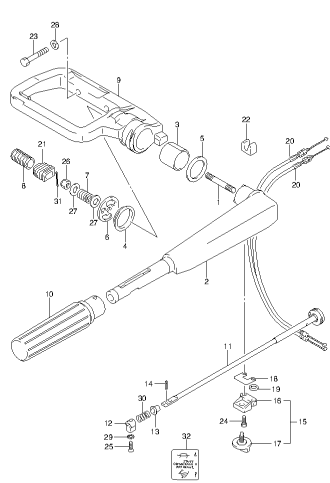
DT40W_F40_013_104
ENGINE COVER

FIG.105



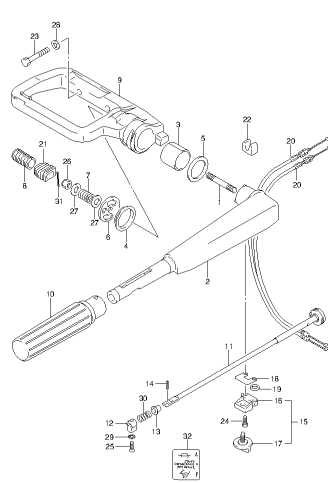
DT40W_F40_013_105
ENGINE COVER

FIG.106



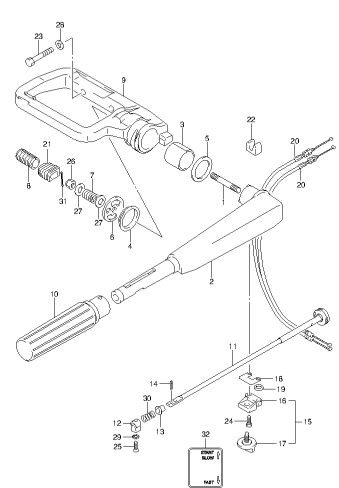
DT40W_F40_013_106
TILLER HANDLE

FIG.107



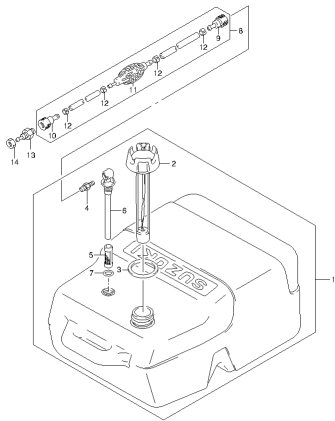
DT40W_F40_013_107
TILLER HANDLE

FIG.108



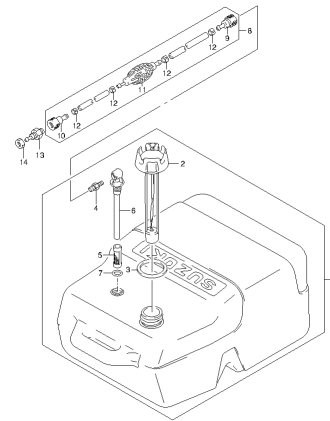
DT40W_F40_013_108
TILLER HANDLE

FIG.109



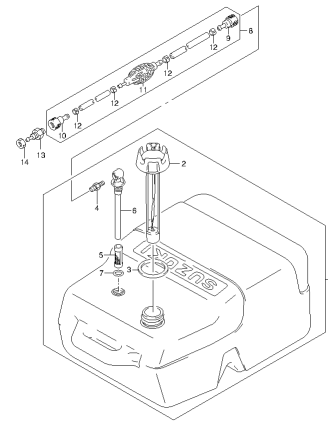
DT40W_F40_013_109
FUEL TANK (PLASTIC) (25L)

FIG.110



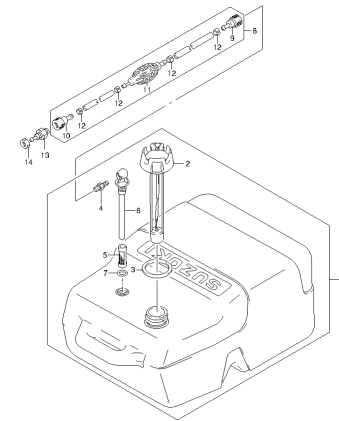
DT40W_F40_013_110
FUEL TANK (PLASTIC) (25L)

FIG.111



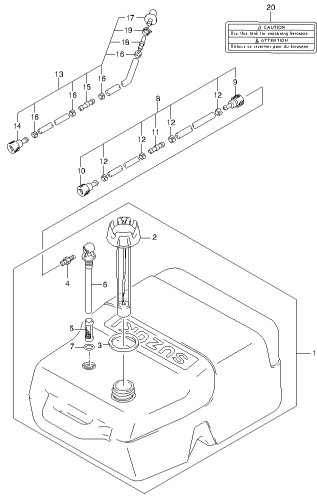
DT40W_F40_013_111
FUEL TANK (PLASTIC) (25L)

FIG.112



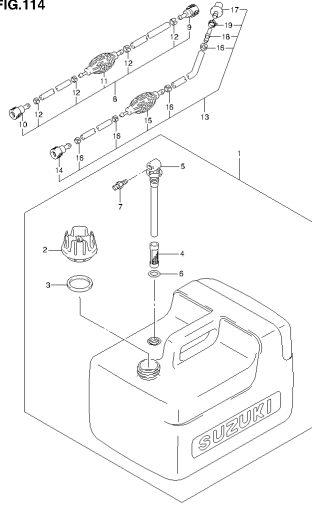
DT40W_F40_013_112
FUEL TANK (PLASTIC) (25L)

FIG.113



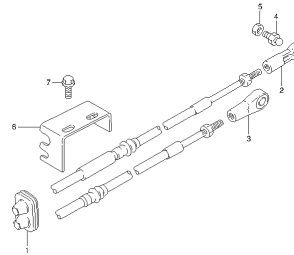
DT40W_F40_013_113
FUEL TANK (PLASTIC)(2R)

FIG.114



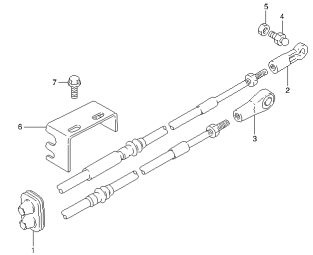
DT40W_F40_013_114
FUEL TANK (PLASTIC)(2L)

FIG.115



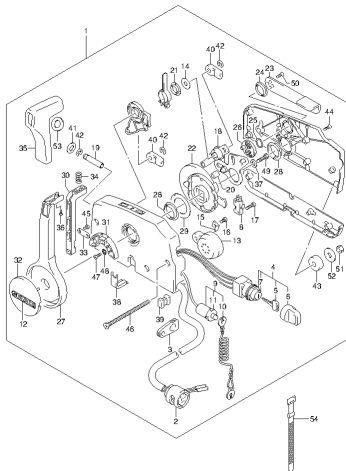
DT40W_F40_013_115
REMOTE CABLE HOLDER

FIG.116



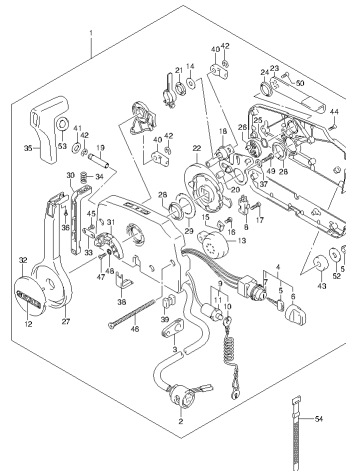
DT40W_F40_013_116
REMOTE CABLE HOLDER

FIG.117



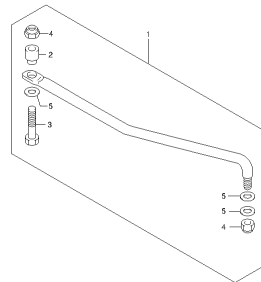
DT40W_F40_013_117
REMOTE CONTROL

FIG.118



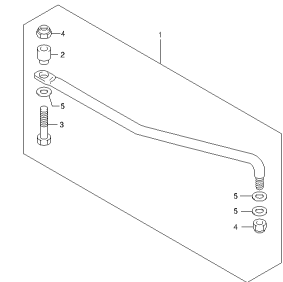
DT40W_F40_013_118
REMOTE CONTROL

FIG.119



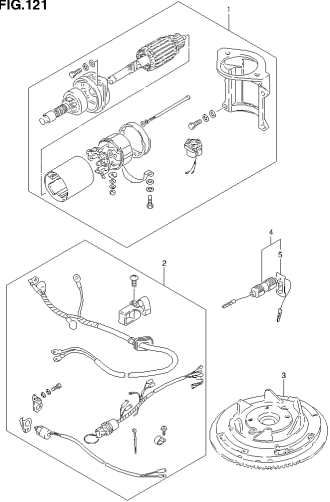
DT40W_F40_013_119
DRAG LINK

FIG.120



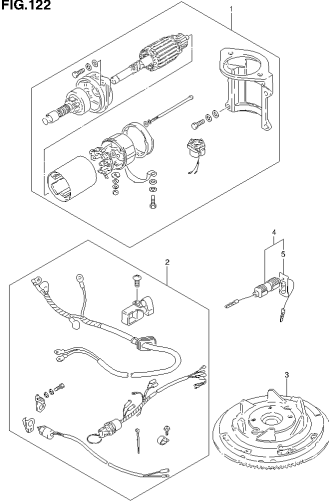
DT40W_F40_013_120
DRAG LINK

FIG.121



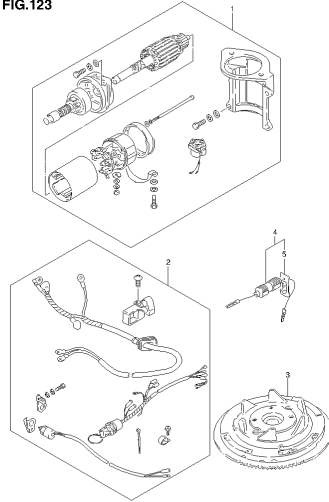
DT40W_F40_013_121
OPT : STARTING MOTOR

FIG.122



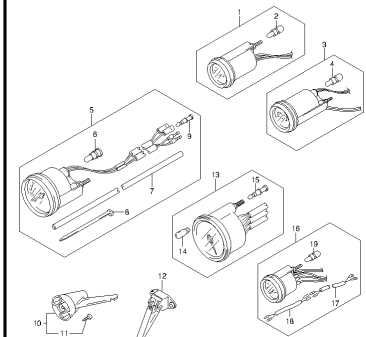
DT40W_F40_013_122
OPT : STARTING MOTOR

FIG.123



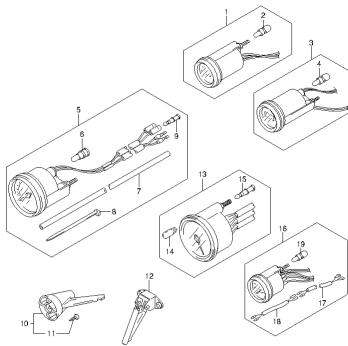
DT40W_F40_013_123
OPT : STARTING MOTOR

FIG.124



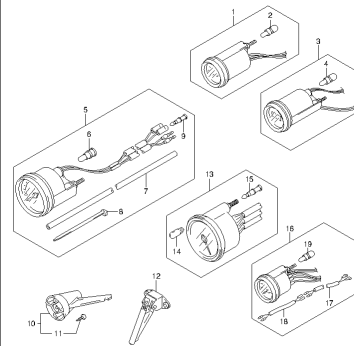
DT40W_F40_013_124
OPT : METER

FIG.125



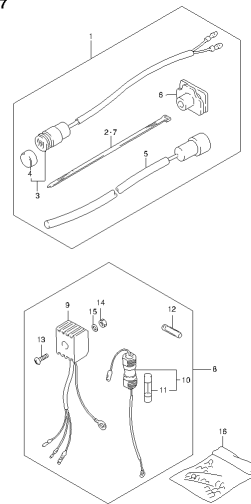
DT40W_F40_013_125
OPT : METER

FIG.126



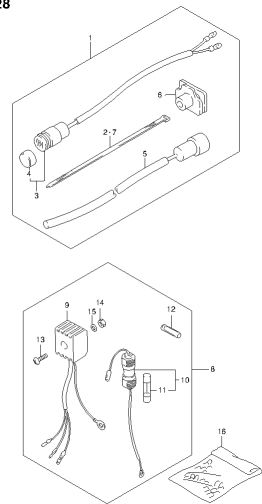
DT40W_F40_013_126
OPT : METER

FIG.127



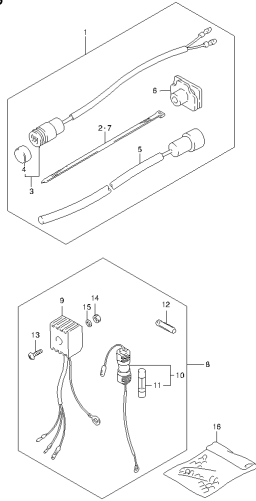
DT40W_F40_013_127
OPT : ELECTRICAL (MANUAL STARTER)

FIG.128



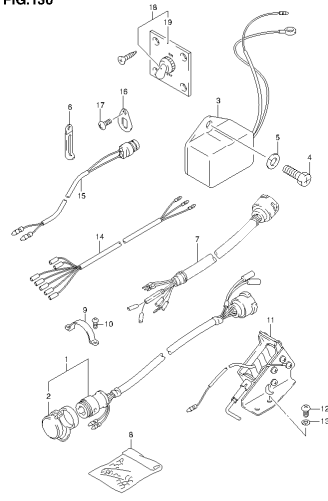
DT40W_F40_013_128
OPT : ELECTRICAL (MANUAL STARTER)

FIG.129



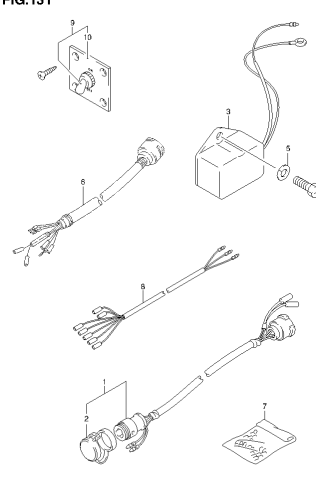
DT40W_F40_013_129
OPT : ELECTRICAL (MANUAL STARTER)

FIG.130



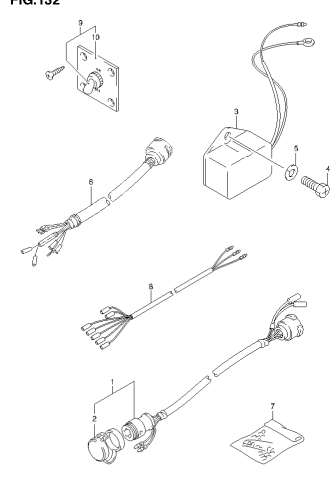
DT40W_F40_013_130
OPT : ELECTRICAL (ELECTRIC STARTER)

FIG.131



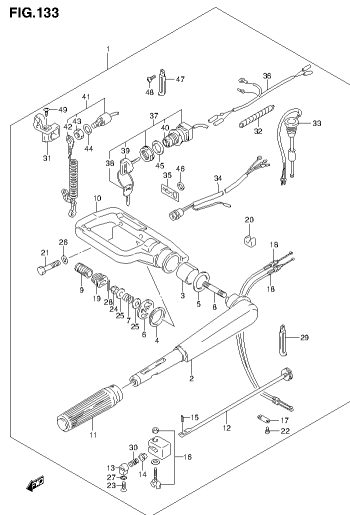
DT40W_F40_013_131
OPT : ELECTRICAL (ELECTRIC STARTER)

FIG.132



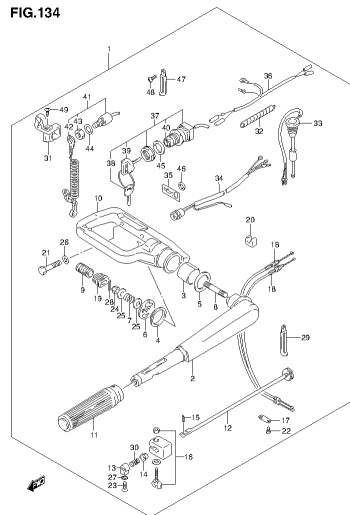
DT40W_F40_013_132
OPT : ELECTRICAL (ELECTRIC STARTER)

FIG.133



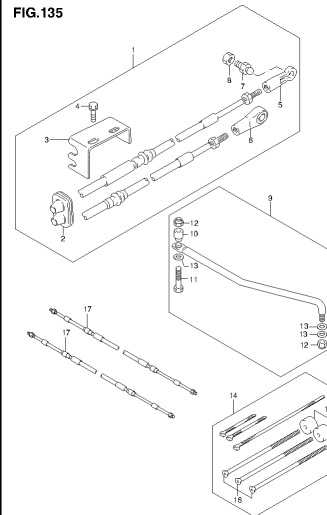
DT40W_F40_013_133
OPT : TILLER HANDLE

FIG.134



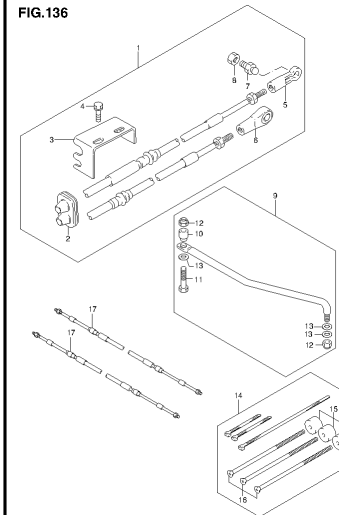
DT40W_F40_013_134
OPT : TILLER HANDLE

FIG.135



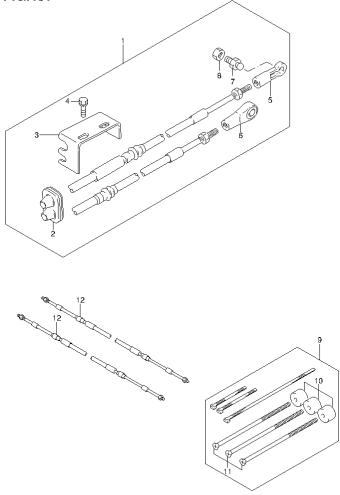
DT40W_F40_013_135
OPT : REMOCON PARTS

FIG.136



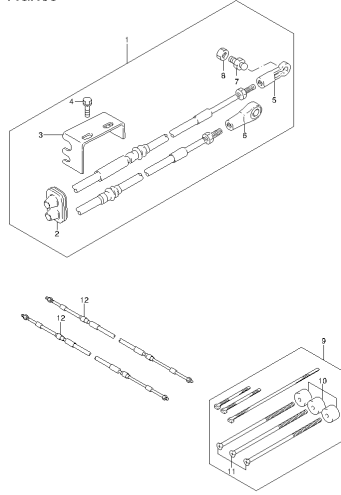
DT40W_F40_013_136
OPT : REMOCON PARTS

FIG.137



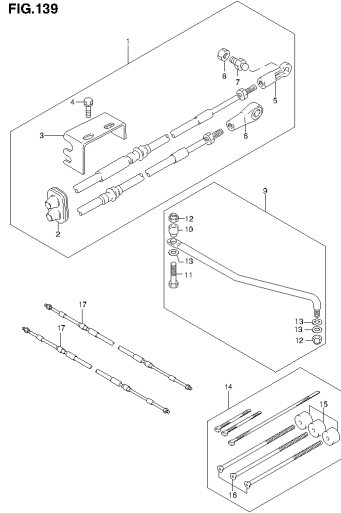
DT40WL P40_013_137
OFF - REMOCON PARTS

FIG.138



DT40WL P40_013_138
OFF - REMOCON PARTS

FIG.139



DT40WL P40_013_139
OFF - REMOCON PARTS

FIG.1

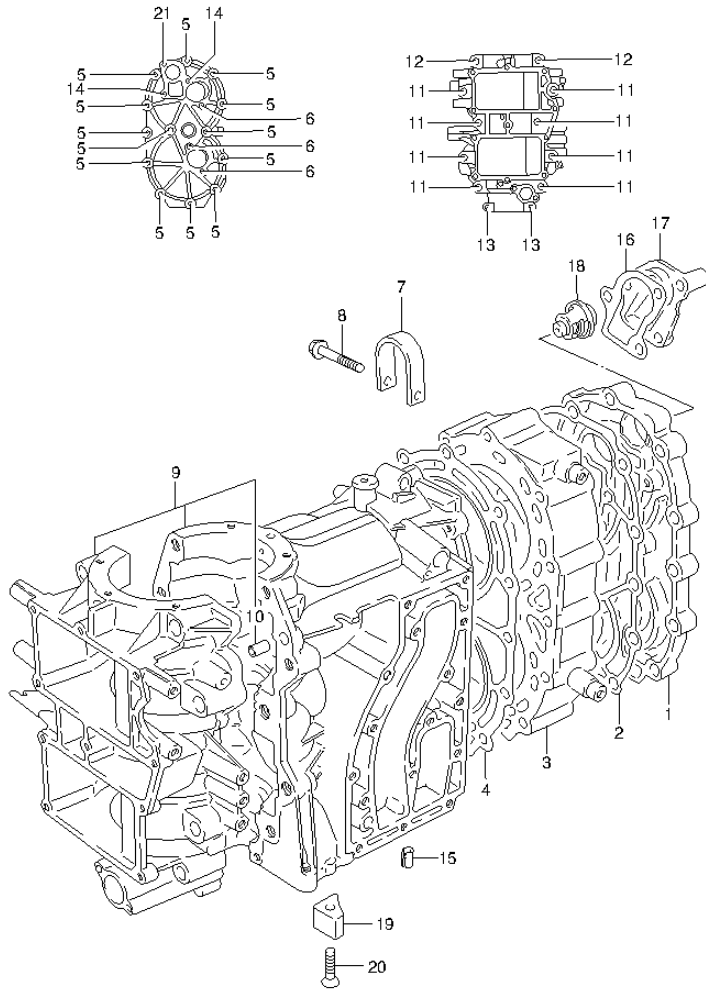


FIG.1 (1-B-2) CYLINDER (DT40W P40)

REF NO.	PART NO.	DESCRIPTION	Q'TY	REMARKS
1	11161-92L10	COVER, CYLINDER HEAD	1	
2	11162-92L00	GASKET, CYLINDER HEAD COVER	1	
3	11111-92L20	HEAD, CYLINDER	1	
4	11141-94450	GASKET, CYLINDER HEAD	1	
5	01560-08757	BOLT	13	
6	01550-06307	BOLT	3	
7	11291-94402	HOOK, ENGINE	1	
8	01550-08357	BOLT	1	
9	11300-92L20	CYLINDER ASSY	1	
10	04211-09109	.KNOCK PIN	2	
11	01550-10557	.BOLT	8	
12	01560-10657	.BOLT	2	
13	01550-06407	.BOLT	2	
14	01550-06457	BOLT	2	
15	09205-06011	SPRING PIN (6X12)	1	
16	17685-94410	GASKET, THERMOSTAT COVER	1	
17	17681-92L10	COVER, THERMOSTAT	1	
18	17670-93962	THERMOSTAT (50C)	1	
19	11281-94410	PROTECTION, ANODE	1	
20	09126-06005	SCREW (6X30)	1	
21	01550-06307	BOLT	1	

FIG.2

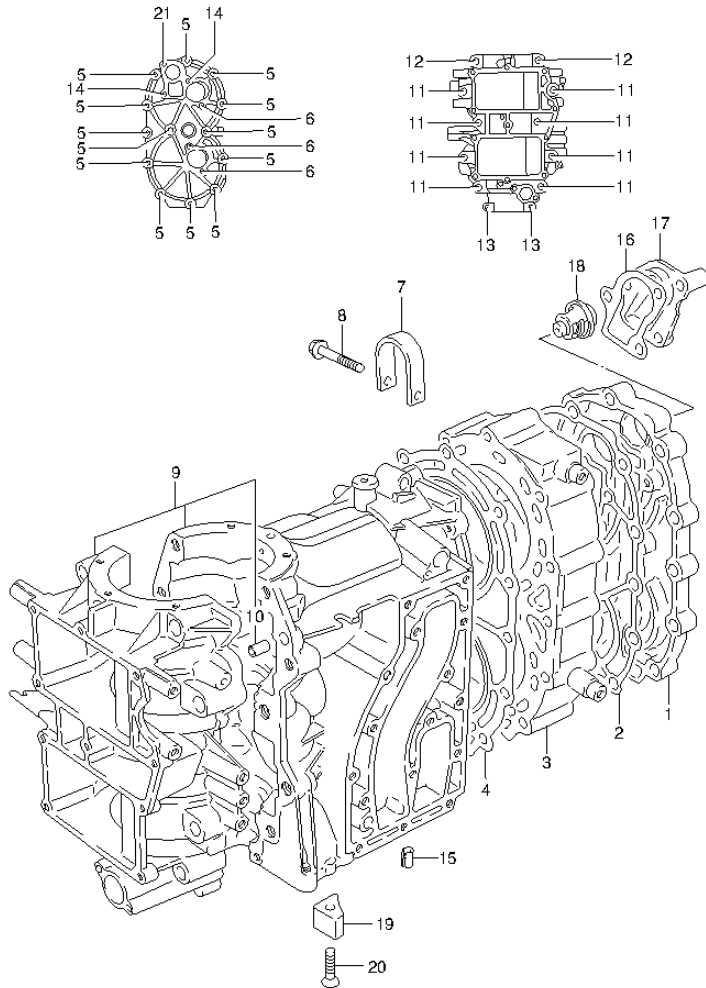


FIG.2 (1-B-3) CYLINDER (DT40W P90)

REF NO.	PART NO.	DESCRIPTION	Q'TY	REMARKS
1	11161-92L10	COVER, CYLINDER HEAD	1	
2	11162-92L00	GASKET, CYLINDER HEAD COVER	1	
3	11111-92L20	HEAD, CYLINDER	1	
4	11141-94450	GASKET, CYLINDER HEAD	1	
5	01560-08757	BOLT	13	
6	01550-06307	BOLT	3	
7	11291-94402	HOOK, ENGINE	1	
8	01550-08357	BOLT	1	
9	11300-92L20	CYLINDER ASSY	1	
10	04211-09109	.KNOCK PIN	2	
11	01550-10557	.BOLT	8	
12	01560-10657	.BOLT	2	
13	01550-06407	.BOLT	2	
14	01550-06457	BOLT	2	
15	09205-06011	SPRING PIN (6X12)	1	
16	17685-94410	GASKET, THERMOSTAT COVER	1	
17	17681-92L10	COVER, THERMOSTAT	1	
18	17670-93962	THERMOSTAT (50C)	1	
19	11281-94410	PROTECTION, ANODE	1	
20	09126-06005	SCREW (6X30)	1	
21	01550-06307	BOLT	1	

FIG.3

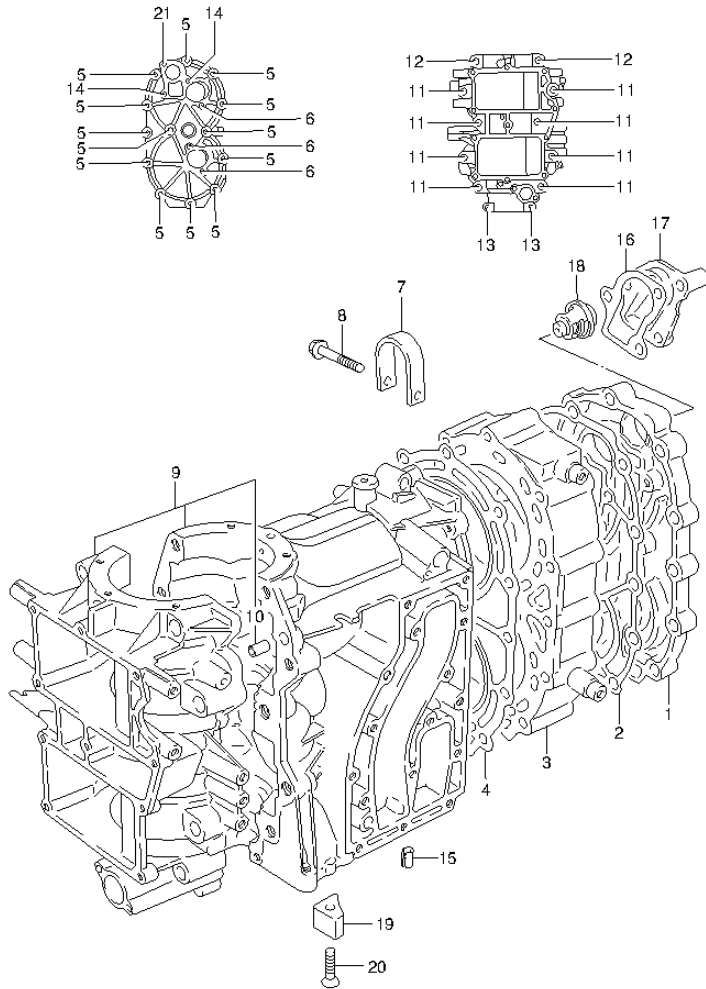


FIG.3 (1-B-4) CYLINDER (DT40WR P40)

REF NO.	PART NO.	DESCRIPTION	Q'TY	REMARKS
1	11161-92L10	COVER, CYLINDER HEAD	1	
2	11162-92L00	GASKET, CYLINDER HEAD COVER	1	
3	11111-92L20	HEAD, CYLINDER	1	
4	11141-94450	GASKET, CYLINDER HEAD	1	
5	01560-08757	BOLT	13	
6	01550-06307	BOLT	3	
7	11291-94402	HOOK, ENGINE	1	
8	01550-08357	BOLT	1	
9	11300-92L20	CYLINDER ASSY	1	
10	04211-09109	.KNOCK PIN	2	
11	01550-10557	.BOLT	8	
12	01560-10657	.BOLT	2	
13	01550-06407	.BOLT	2	
14	01550-06457	BOLT	2	
15	09205-06011	SPRING PIN (6X12)	1	
16	17685-94410	GASKET, THERMOSTAT COVER	1	
17	17681-92L10	COVER, THERMOSTAT	1	
18	17670-93962	THERMOSTAT (50C)	1	
19	11281-94410	PROTECTION, ANODE	1	
20	09126-06005	SCREW (6X30)	1	
21	01550-06307	BOLT	1	

FIG.4

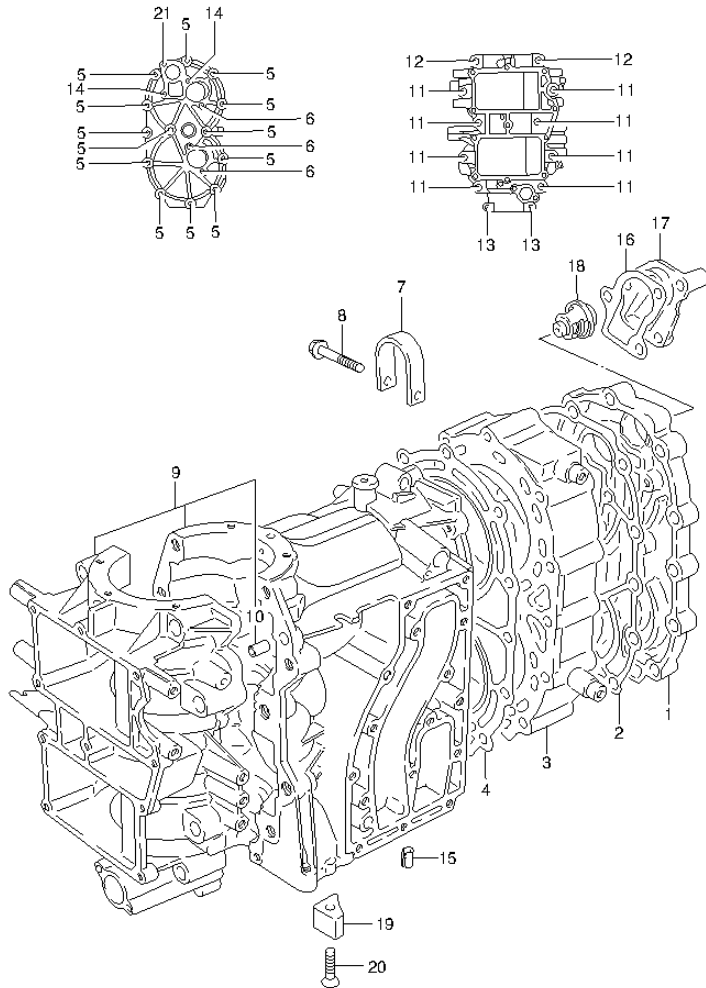


FIG.4 (1-B-5) CYLINDER (DT40WR P90)

REF NO.	PART NO.	DESCRIPTION	Q'TY	REMARKS
1	11161-92L10	COVER, CYLINDER HEAD	1	
2	11162-92L00	GASKET, CYLINDER HEAD COVER	1	
3	11111-92L20	HEAD, CYLINDER	1	
4	11141-94450	GASKET, CYLINDER HEAD	1	
5	01560-08757	BOLT	13	
6	01550-06307	BOLT	3	
7	11291-94402	HOOK, ENGINE	1	
8	01550-08357	BOLT	1	
9	11300-92L20	CYLINDER ASSY	1	
10	04211-09109	.KNOCK PIN	2	
11	01550-10557	.BOLT	8	
12	01560-10657	.BOLT	2	
13	01550-06407	.BOLT	2	
14	01550-06457	BOLT	2	
15	09205-06011	SPRING PIN (6X12)	1	
16	17685-94410	GASKET, THERMOSTAT COVER	1	
17	17681-92L10	COVER, THERMOSTAT	1	
18	17670-93962	THERMOSTAT (50C)	1	
19	11281-94410	PROTECTION, ANODE	1	
20	09126-06005	SCREW (6X30)	1	
21	01550-06307	BOLT	1	

FIG.5

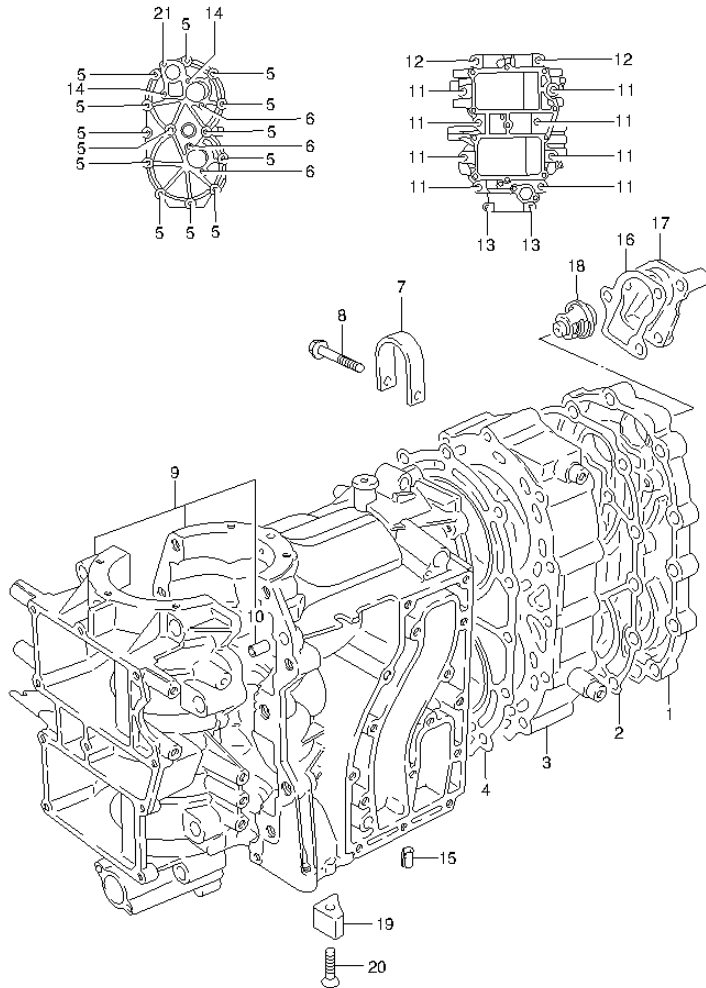


FIG.5 (1-B-6) CYLINDER (DT40WK P40)

REF NO.	PART NO.	DESCRIPTION	Q'TY	REMARKS
1	11161-92L10	COVER, CYLINDER HEAD	1	
2	11162-92L00	GASKET, CYLINDER HEAD COVER	1	
3	11111-92L30	HEAD, CYLINDER	1	
4	11141-94450	GASKET, CYLINDER HEAD	1	
5	01560-08757	BOLT	13	
6	01550-06307	BOLT	3	
7	11291-94402	HOOK, ENGINE	1	
8	01550-08357	BOLT	1	
9	11300-92L20	CYLINDER ASSY	1	
10	04211-09109	.KNOCK PIN	2	
11	01550-10557	.BOLT	8	
12	01560-10657	.BOLT	2	
13	01550-06407	.BOLT	2	
14	01550-06457	BOLT	2	
15	09205-06011	SPRING PIN (6X12)	1	
16	17685-94410	GASKET, THERMOSTAT COVER	1	
17	17681-92L10	COVER, THERMOSTAT	1	
18	17670-94402	THERMOSTAT (60C)	1	
19	11281-94410	PROTECTION, ANODE	1	
20	09126-06005	SCREW (6X30)	1	
21	01550-06307	BOLT	1	

FIG.6

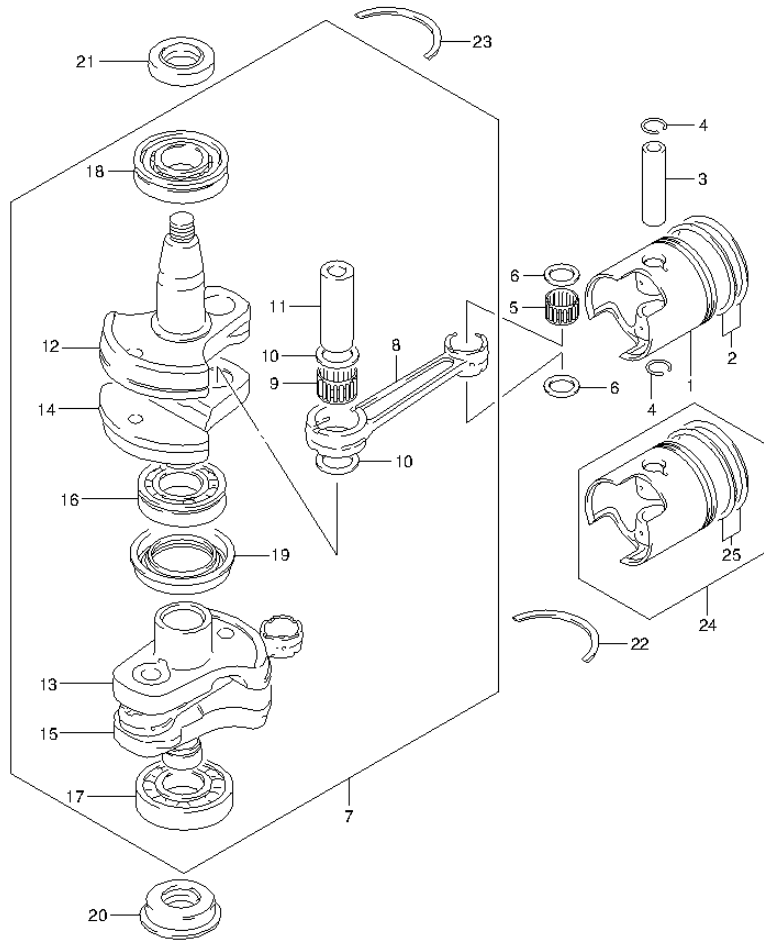


FIG.6 (1-B-7) CRANKSHAFT (DT40W P40)

REF NO.	PART NO.	DESCRIPTION	Q'TY	REMARKS
1	12110-94400	PISTON	2	
2	12140-92L00	RING SET, PISTON	2	
3	12151-92L00	PIN, PISTON	2	
4	09381-20003	CIRCLIP	4	
5	09263-20L06	BEARING (20X26X24)	2	
6	09169-20007	WASHER	4	
7	12200-92L20	CRANKSHAFT ASSY	1	
8	12161-92L00	.CONNECTING ROD	2	
9	09263-27L01	.BEARING (27X37X22)	2	
10	09160-27008	.WASHER (27X36X1)	4	
11	12211-92L00	.PIN, CRANK	2	
12	12221-92L20	.CRANKSHAFT, UPPER	1	
13	12232-92L20	.WHEEL, CRANKSHAFT UNDER	1	
14	12231-92L20	.WHEEL, CRANKSHAFT UPPER	1	
15	12240-92L20	.CRANKSHAFT, UNDER	1	
16	09262-30L03	.BEARING (30X72X19)	1	
17	09262-35L09	.BEARING (35X72X17)	1	
18	09264-35L01	.BEARING (35X80X21)	1	
19	09289-45L01	.OIL SEAL (45X72X12)	1	
20	09283-30L02	OIL SEAL (30X55X8)	1	
21	09283-35L01	OIL SEAL (35X55X7)	1	
22	09390-72008	C RING	1	
23	09390-80002	C RING	1	
24	12100-94400-050	PISTON SET (OS:0.50)	2	OPT
25	12140-94400-050	.RING SET, PISTON (OS:0.50)	2	OPT

FIG.7

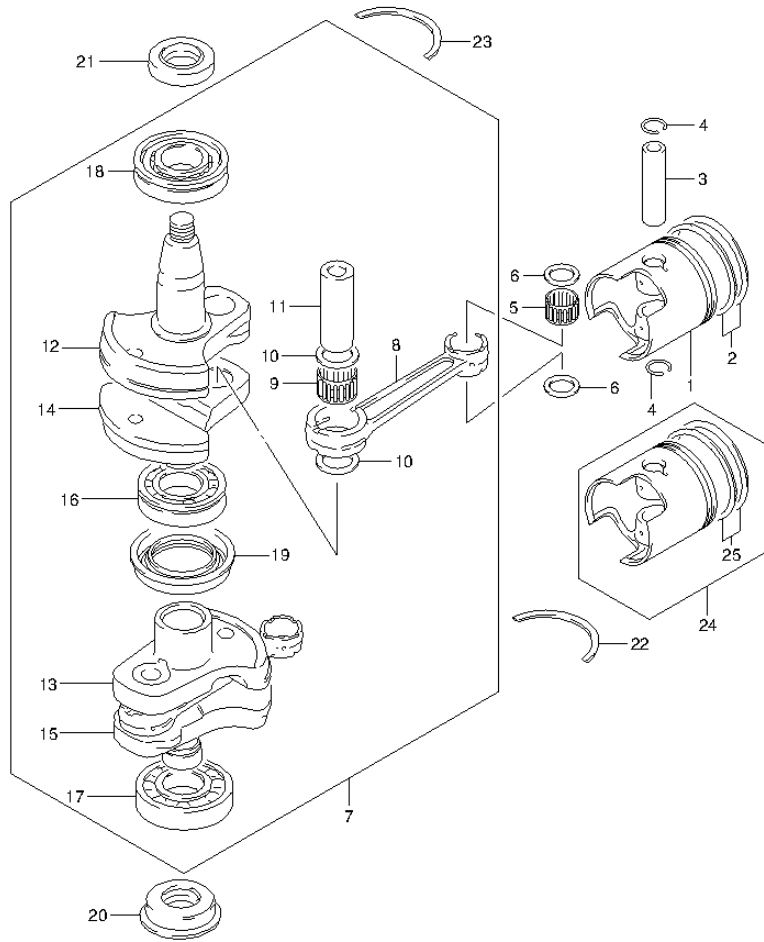


FIG.7 (1-B-8) CRANKSHAFT (DT40W P90)

REF NO.	PART NO.	DESCRIPTION	Q'TY	REMARKS
1	12110-94400	PISTON	2	
2	12140-92L00	RING SET, PISTON	2	
3	12151-92L00	PIN, PISTON	2	
4	09381-20003	CIRCLIP	4	
5	09263-20L06	BEARING (20X26X24)	2	
6	09169-20007	WASHER	4	
7	12200-92L20	CRANKSHAFT ASSY	1	
8	12161-92L00	.CONNECTING ROD	2	
9	09263-27L01	.BEARING (27X37X22)	2	
10	09160-27008	.WASHER (27X36X1)	4	
11	12211-92L00	.PIN, CRANK	2	
12	12221-92L20	.CRANKSHAFT, UPPER	1	
13	12232-92L20	.WHEEL, CRANKSHAFT UNDER	1	
14	12231-92L20	.WHEEL, CRANKSHAFT UPPER	1	
15	12240-92L20	.CRANKSHAFT, UNDER	1	
16	09262-30L03	.BEARING (30X72X19)	1	
17	09262-35L09	.BEARING (35X72X17)	1	
18	09264-35L01	.BEARING (35X80X21)	1	
19	09289-45L01	.OIL SEAL (45X72X12)	1	
20	09283-30L02	OIL SEAL (30X55X8)	1	
21	09283-35L01	OIL SEAL (35X55X7)	1	
22	09390-72008	C RING	1	
23	09390-80002	C RING	1	
24	12100-94400-050	PISTON SET (OS:0.50)	2	OPT
25	12140-94400-050	.RING SET, PISTON (OS:0.50)	2	OPT

FIG.8

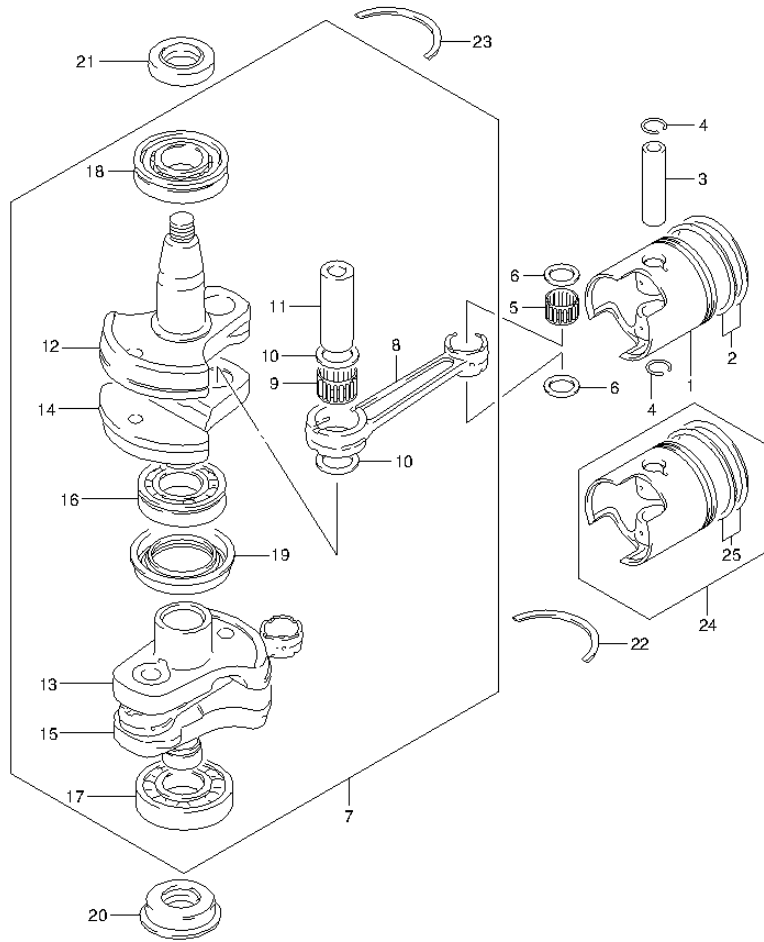


FIG.8 (1-B-9) CRANKSHAFT (DT40WR P40)

REF NO.	PART NO.	DESCRIPTION	Q'TY	REMARKS
1	12110-94400	PISTON	2	
2	12140-92L00	RING SET, PISTON	2	
3	12151-92L00	PIN, PISTON	2	
4	09381-20003	CIRCLIP	4	
5	09263-20L06	BEARING (20X26X24)	2	
6	09169-20007	WASHER	4	
7	12200-92L20	CRANKSHAFT ASSY	1	
8	12161-92L00	.CONNECTING ROD	2	
9	09263-27L01	.BEARING (27X37X22)	2	
10	09160-27008	.WASHER (27X36X1)	4	
11	12211-92L00	.PIN, CRANK	2	
12	12221-92L20	.CRANKSHAFT, UPPER	1	
13	12232-92L20	.WHEEL, CRANKSHAFT UNDER	1	
14	12231-92L20	.WHEEL, CRANKSHAFT UPPER	1	
15	12240-92L20	.CRANKSHAFT, UNDER	1	
16	09262-30L03	.BEARING (30X72X19)	1	
17	09262-35L09	.BEARING (35X72X17)	1	
18	09264-35L01	.BEARING (35X80X21)	1	
19	09289-45L01	.OIL SEAL (45X72X12)	1	
20	09283-30L02	OIL SEAL (30X55X8)	1	
21	09283-35L01	OIL SEAL (35X55X7)	1	
22	09390-72008	C RING	1	
23	09390-80002	C RING	1	
24	12100-94400-050	PISTON SET (OS:0.50)	2	OPT
25	12140-94400-050	.RING SET, PISTON (OS:0.50)	2	OPT

FIG.9

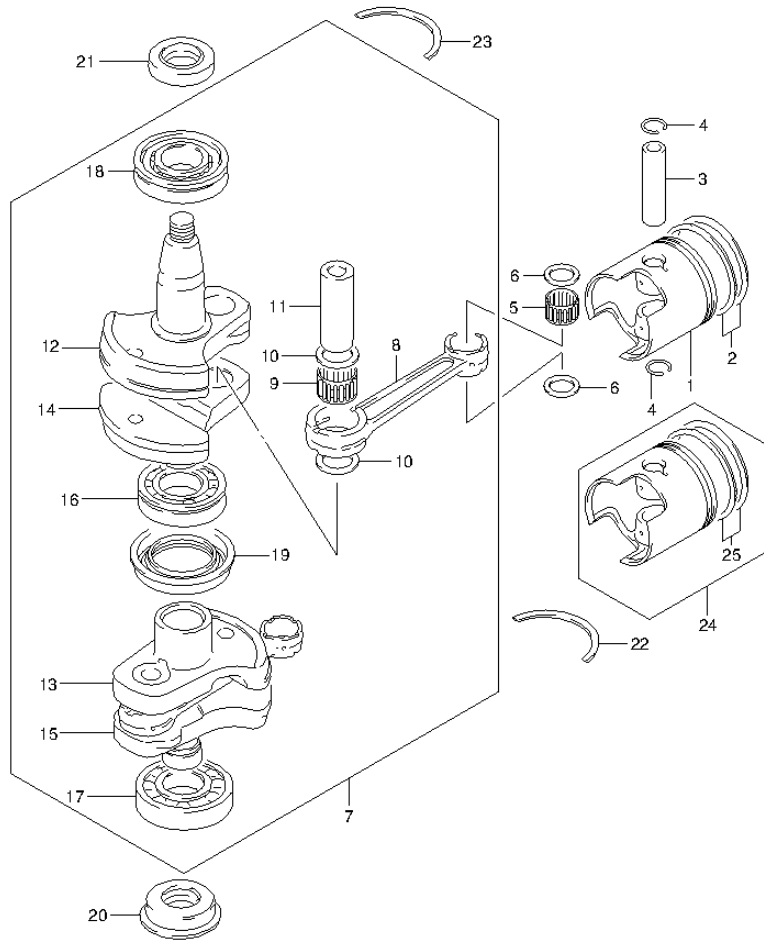


FIG.9 (1-B-10) CRANKSHAFT (DT40WR P90)

REF NO.	PART NO.	DESCRIPTION	Q'TY	REMARKS
1	12110-94400	PISTON	2	
2	12140-92L00	RING SET, PISTON	2	
3	12151-92L00	PIN, PISTON	2	
4	09381-20003	CIRCLIP	4	
5	09263-20L06	BEARING (20X26X24)	2	
6	09169-20007	WASHER	4	
7	12200-92L20	CRANKSHAFT ASSY	1	
8	12161-92L00	.CONNECTING ROD	2	
9	09263-27L01	.BEARING (27X37X22)	2	
10	09160-27008	.WASHER (27X36X1)	4	
11	12211-92L00	.PIN, CRANK	2	
12	12221-92L20	.CRANKSHAFT, UPPER	1	
13	12232-92L20	.WHEEL, CRANKSHAFT UNDER	1	
14	12231-92L20	.WHEEL, CRANKSHAFT UPPER	1	
15	12240-92L20	.CRANKSHAFT, UNDER	1	
16	09262-30L03	.BEARING (30X72X19)	1	
17	09262-35L09	.BEARING (35X72X17)	1	
18	09264-35L01	.BEARING (35X80X21)	1	
19	09289-45L01	.OIL SEAL (45X72X12)	1	
20	09283-30L02	OIL SEAL (30X55X8)	1	
21	09283-35L01	OIL SEAL (35X55X7)	1	
22	09390-72008	C RING	1	
23	09390-80002	C RING	1	
24	12100-94400-050	PISTON SET (OS:0.50)	2	OPT
25	12140-94400-050	.RING SET, PISTON (OS:0.50)	2	OPT

FIG.10

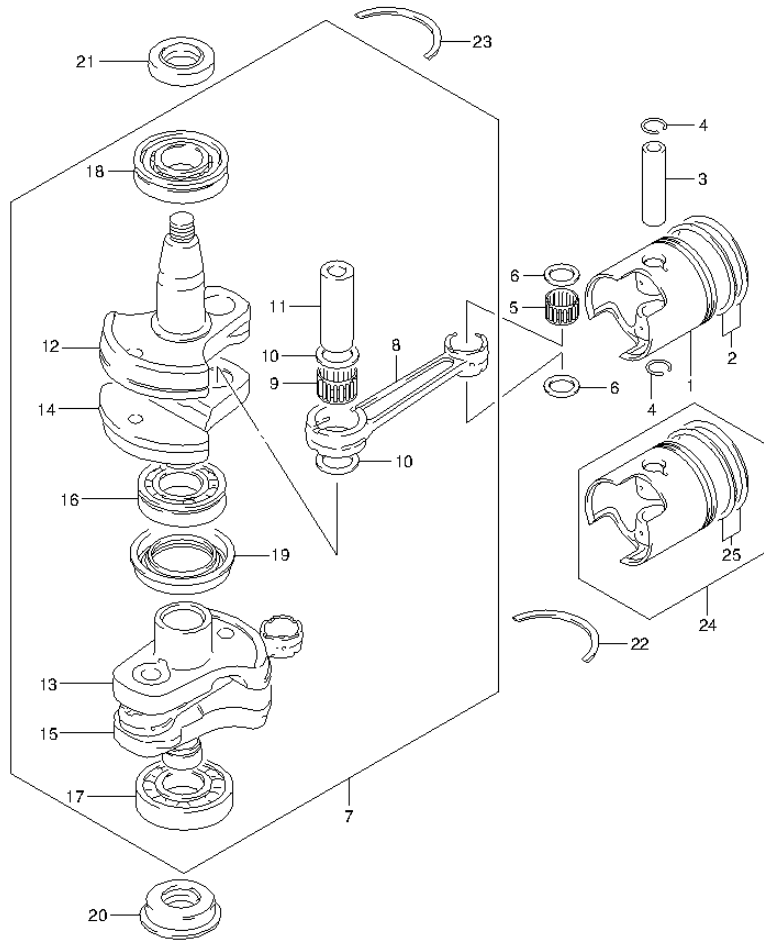


FIG.10 (1-B-11) CRANKSHAFT(DT40WK P40)

REF NO.	PART NO.	DESCRIPTION	Q'TY	REMARKS
1	12110-92L20-0B0	PISTON	2	
2	12140-94410	RING SET, PISTON	2	
3	12151-92L00	PIN, PISTON	2	
4	09381-20003	CIRCLIP	4	
5	09263-20L06	BEARING (20X26X24)	2	
6	09169-20007	WASHER	4	
7	12200-92L30	CRANKSHAFT ASSY	1	
8	12161-92L00	.CONNECTING ROD	2	
9	09263-27L02	.BEARING (27X37X22)	2	
10	09160-27008	.WASHER (27X36X1)	4	
11	12211-92L00	.PIN, CRANK	2	
12	12221-92L20	.CRANKSHAFT, UPPER	1	
13	12232-92L20	.WHEEL, CRANKSHAFT UNDER	1	
14	12231-92L20	.WHEEL, CRANKSHAFT UPPER	1	
15	12240-92L20	.CRANKSHAFT, UNDER	1	
16	09262-30L03	.BEARING (30X72X19)	1	
17	09262-35L09	.BEARING (35X72X17)	1	
18	09264-35L01	.BEARING (35X80X21)	1	
19	09289-45L01	.OIL SEAL (45X72X12)	1	
20	09283-30L02	OIL SEAL (30X55X8)	1	
21	09283-35L01	OIL SEAL (35X55X7)	1	
22	09390-72008	C RING	1	
23	09390-80002	C RING	1	
24	12100-94400-050	PISTON SET (OS:0.50)	2	OPT
25	12140-94400-050	.RING SET, PISTON (OS:0.50)	2	OPT

FIG.11

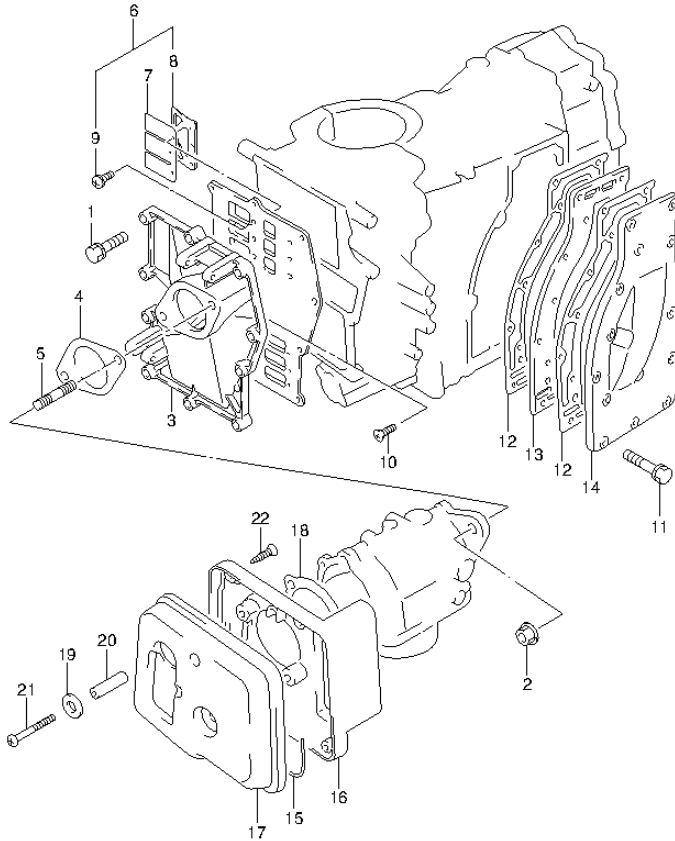


FIG.11 (1-B-12) INLET CASE (DT40W P40)

REF NO.	PART NO.	DESCRIPTION	Q'TY	REMARKS
1	01550-06307	BOLT	10	
2	08316-10087	NUT	2	
3	13111-92L00	CASE, INLET	1	
4	13125-95210	GASKET, CARBURETOR	1	
5	01411-0820A	STUD BOLT	2	
6	13150-92L00	VALVE ASSY, REED	1	
7	13153-92L00	.VALVE, REED	4	
8	13152-92L00	.STOPPER, REED VALVE	4	
9	02112-3306A	.SCREW	12	
10	02122-06167	SCREW	1	
11	01550-06307	BOLT	16	
12	14151-92L00	GASKET, EXHAUST COVER	2	
13	14131-92L10	PLATE, EXHAUST	1	
14	14141-92L10	COVER, EXHAUST	1	
15	09280-63001	O RING (D:1.9,ID:63.1)	1	
16	13811-92L00	CASE, SILENCER	1	
17	13812-92L00	COVER, SILENCER	1	
18	13855-95210	GASKET, SILENCER	1	
19	09160-06066	WASHER (6.5X20X1.6)	2	
20	09180-06254	SPACER (6.1X8X34)	2	
21	09125-06089	SCREW (6X45)	2	
22	03222-0520B	SCREW	5	

FIG.12

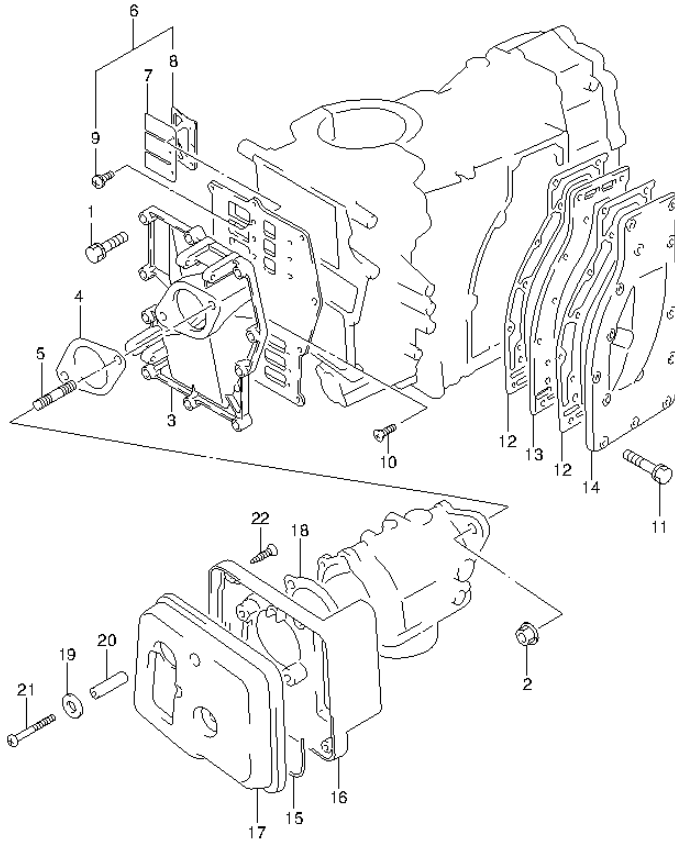


FIG.12 (1-B-13) INLET CASE (DT40W P90)

REF NO.	PART NO.	DESCRIPTION	Q'TY	REMARKS
1	01550-06307	BOLT	10	
2	08316-10087	NUT	2	
3	13111-92L00	CASE, INLET	1	
4	13125-95210	GASKET, CARBURETOR	1	
5	01411-0820A	STUD BOLT	2	
6	13150-92L00	VALVE ASSY, REED	1	
7	13153-92L00	.VALVE, REED	4	
8	13152-92L00	.STOPPER, REED VALVE	4	
9	02112-3306A	.SCREW	12	
10	02122-06167	SCREW	1	
11	01550-06307	BOLT	16	
12	14151-92L00	GASKET, EXHAUST COVER	2	
13	14131-92L10	PLATE, EXHAUST	1	
14	14141-92L10	COVER, EXHAUST	1	
15	09280-63001	O RING (D:1.9,ID:63.1)	1	
16	13811-92L00	CASE, SILENCER	1	
17	13812-92L00	COVER, SILENCER	1	
18	13855-95210	GASKET, SILENCER	1	
19	09160-06066	WASHER (6.5X20X1.6)	2	
20	09180-06254	SPACER (6.1X8X34)	2	
21	09125-06089	SCREW (6X45)	2	
22	03222-0520B	SCREW	5	

FIG.13

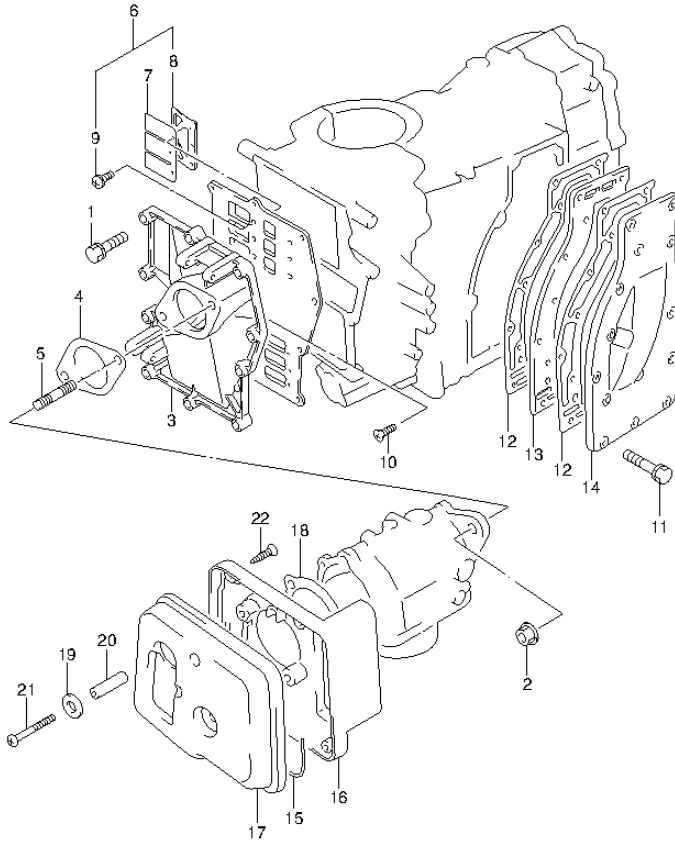


FIG.13 (1-B-14) INLET CASE (DT40WR P40)

REF NO.	PART NO.	DESCRIPTION	Q'TY	REMARKS
1	01550-06307	BOLT	10	
2	08316-10087	NUT	2	
3	13111-92L00	CASE, INLET	1	
4	13125-95210	GASKET, CARBURETOR	1	
5	01411-0820A	STUD BOLT	2	
6	13150-92L00	VALVE ASSY, REED	1	
7	13153-92L00	.VALVE, REED	4	
8	13152-92L00	.STOPPER, REED VALVE	4	
9	02112-3306A	.SCREW	12	
10	02122-06167	SCREW	1	
11	01550-06307	BOLT	16	
12	14151-92L00	GASKET, EXHAUST COVER	2	
13	14131-92L10	PLATE, EXHAUST	1	
14	14141-92L10	COVER, EXHAUST	1	
15	09280-63001	O RING (D:1.9,ID:63.1)	1	
16	13811-92L00	CASE, SILENCER	1	
17	13812-92L00	COVER, SILENCER	1	
18	13855-95210	GASKET, SILENCER	1	
19	09160-06066	WASHER (6.5X20X1.6)	2	
20	09180-06254	SPACER (6.1X8X34)	2	
21	09125-06089	SCREW (6X45)	2	
22	03222-0520B	SCREW	5	

FIG.14

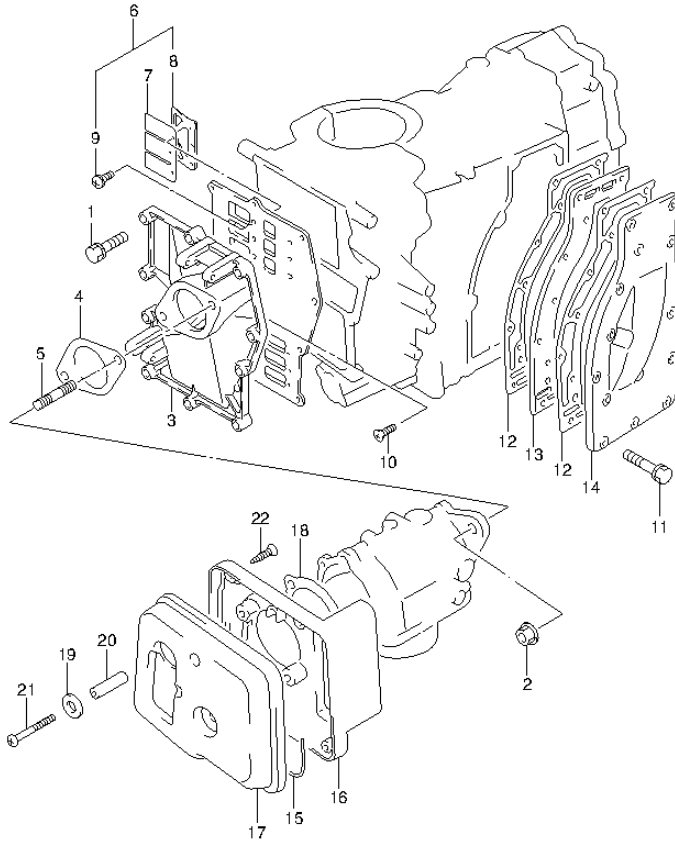


FIG.14 (1-B-15) INLET CASE (DT40WR P90)

REF NO.	PART NO.	DESCRIPTION	Q'TY	REMARKS
1	01550-06307	BOLT	10	
2	08316-10087	NUT	2	
3	13111-92L00	CASE, INLET	1	
4	13125-95210	GASKET, CARBURETOR	1	
5	01411-0820A	STUD BOLT	2	
6	13150-92L00	VALVE ASSY, REED	1	
7	13153-92L00	.VALVE, REED	4	
8	13152-92L00	.STOPPER, REED VALVE	4	
9	02112-3306A	.SCREW	12	
10	02122-06167	SCREW	1	
11	01550-06307	BOLT	16	
12	14151-92L00	GASKET, EXHAUST COVER	2	
13	14131-92L10	PLATE, EXHAUST	1	
14	14141-92L10	COVER, EXHAUST	1	
15	09280-63001	O RING (D:1.9,ID:63.1)	1	
16	13811-92L00	CASE, SILENCER	1	
17	13812-92L00	COVER, SILENCER	1	
18	13855-95210	GASKET, SILENCER	1	
19	09160-06066	WASHER (6.5X20X1.6)	2	
20	09180-06254	SPACER (6.1X8X34)	2	
21	09125-06089	SCREW (6X45)	2	
22	03222-0520B	SCREW	5	

FIG.15

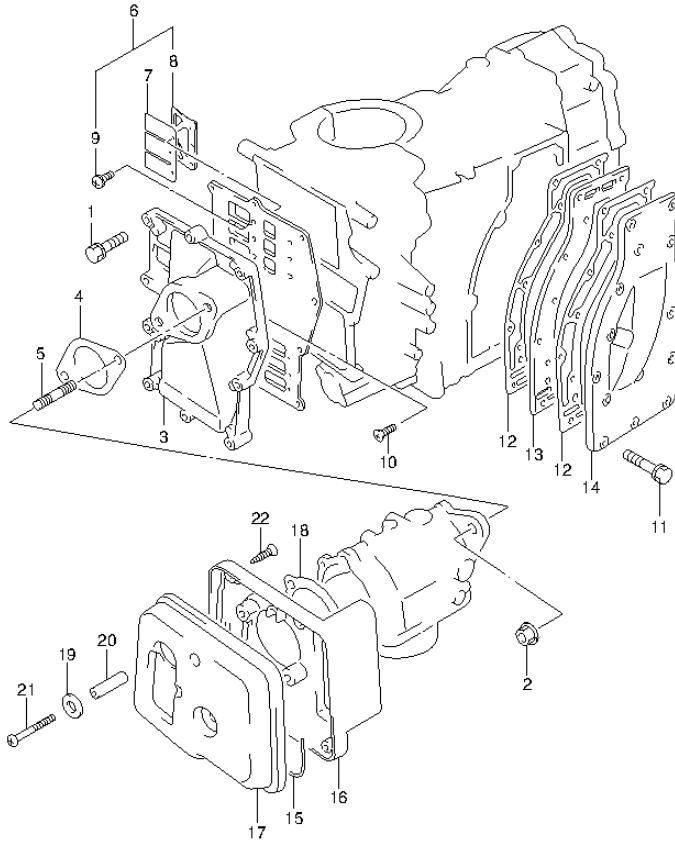


FIG.15 (1-C-2) INLET CASE (DT40WK P40)

REF NO.	PART NO.	DESCRIPTION	Q'TY	REMARKS
1	01550-06307	BOLT	10	
2	08316-10087	NUT	2	
3	13111-94450-0EP	CASE, INLET (BLACK)	1	
4	13125-95210	GASKET, CARBURETOR	1	
5	01411-0820A	STUD BOLT	1	
6	13150-92L00	VALVE ASSY, REED	1	
7	13153-92L00	.VALVE, REED	4	
8	13152-92L00	.STOPPER, REED VALVE	4	
9	02112-3306A	.SCREW	12	
10	02122-06167	SCREW	1	
11	01550-06307	BOLT	16	
12	14151-92L00	GASKET, EXHAUST COVER	2	
13	14131-92L10	PLATE, EXHAUST	1	
14	14141-92L10	COVER, EXHAUST	1	
15	09280-63001	O RING (D:1.9,ID:63.1)	1	
16	13811-92L00	CASE, SILENCER	1	
17	13812-92L00	COVER, SILENCER	1	
18	13855-95210	GASKET, SILENCER	1	
19	09160-06066	WASHER (6.5X20X1.6)	2	
20	09180-06254	SPACER (6.1X8X34)	2	
21	09125-06089	SCREW (6X45)	2	
22	03222-0520B	SCREW	5	

FIG.16

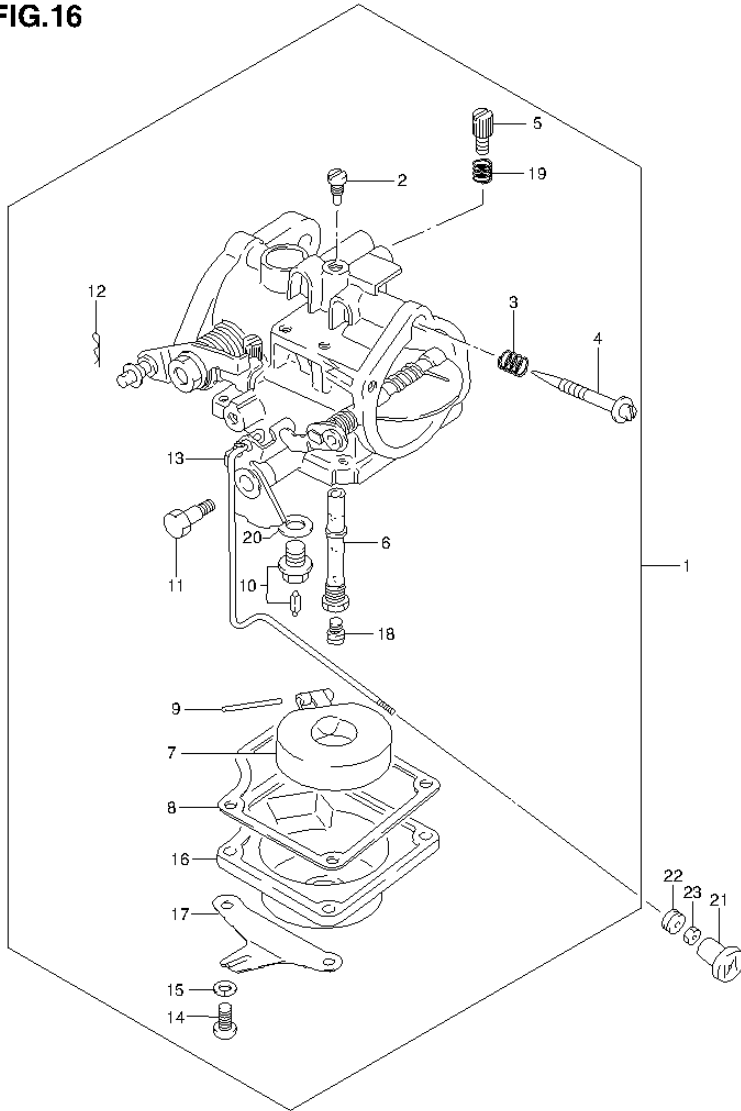


FIG.16 (1-C-3) CARBURETOR (DT40W P40)

REF NO.	PART NO.	DESCRIPTION	Q'TY	REMARKS
1	13200-944J0	CARBURETOR ASSY	1	
2	09492-67004	.JET, PILOT (67.5)	1	
3	13271-93311	.SPRING, AIR SCREW	1	
4	13269-95210	.SCREW, PILOT AIR	1	
5	13267-93900	.SCREW	1	
6	13235-94400	.NOZZLE	1	
7	13250-93012	.FLOAT	1	
8	13251-95220	.GASKET, FLOAT CHAMBER	1	
9	13254-98300	.PIN, FLOAT	1	
10	13370-97E20	.VALVE ASSY, NEEDLE	1	
11	13613-94300	.BOLT	1	
12	13464-96350	.PIN	1	
13	13580-94400	.LEVER ASSY	1	
14	02112-05167	.SCREW	4	
15	08321-0105A	.LOCK WASHER	4	
16	13245-94400	.CHAMBER, FLOAT	1	
17	13426-95211	.PLATE, SPRING	1	
18	09491-38007	.JET, MAIN (190)	1	
19	13268-96111	.SPRING	1	
20	13392-58600	.GASKET, VALVE SEAT	1	
21	13631-93501	KNOB, STARTER	1	
22	09320-04009	BUSH	1	
23	09140-04007	NUT	1	
24	13910-94400	REPAIR KIT, CARBURETOR	1	OPT NOT ILLUSTRATED

FIG.17

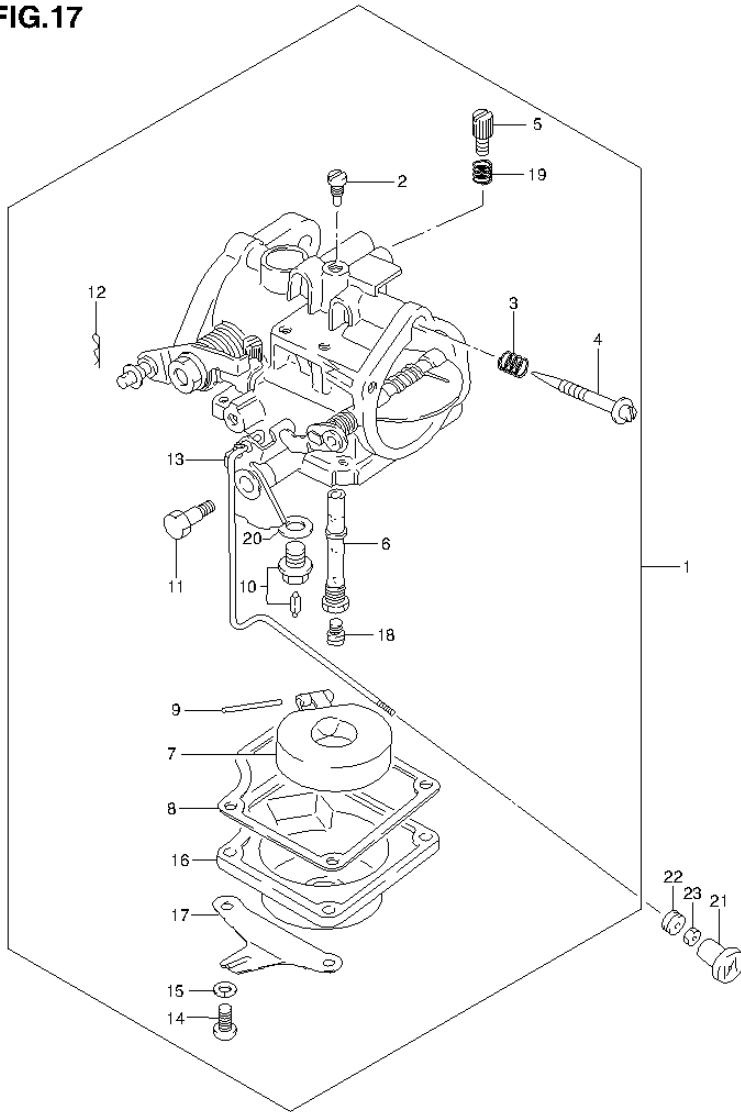


FIG.17 (1-C-4) CARBURETOR (DT40W P90)

REF NO.	PART NO.	DESCRIPTION	Q'TY	REMARKS
1	13200-944J0	CARBURETOR ASSY	1	
2	09492-67004	.JET, PILOT (67.5)	1	
3	13271-93311	.SPRING, AIR SCREW	1	
4	13269-95210	.SCREW, PILOT AIR	1	
5	13267-93900	.SCREW	1	
6	13235-94400	.NOZZLE	1	
7	13250-93012	.FLOAT	1	
8	13251-95220	.GASKET, FLOAT CHAMBER	1	
9	13254-98300	.PIN, FLOAT	1	
10	13370-97E20	.VALVE ASSY, NEEDLE	1	
11	13613-94300	.BOLT	1	
12	13464-96350	.PIN	1	
13	13580-94400	.LEVER ASSY	1	
14	02112-05167	.SCREW	4	
15	08321-0105A	.LOCK WASHER	4	
16	13245-94400	.CHAMBER, FLOAT	1	
17	13426-95211	.PLATE, SPRING	1	
18	09491-38007	.JET, MAIN (190)	1	
19	13268-96111	.SPRING	1	
20	13392-58600	.GASKET, VALVE SEAT	1	
21	13631-93501	KNOB, STARTER	1	
22	09320-04009	BUSH	1	
23	09140-04007	NUT	1	
24	13910-94400	REPAIR KIT, CARBURETOR	1	OPT NOT ILLUSTRATED

FIG.18

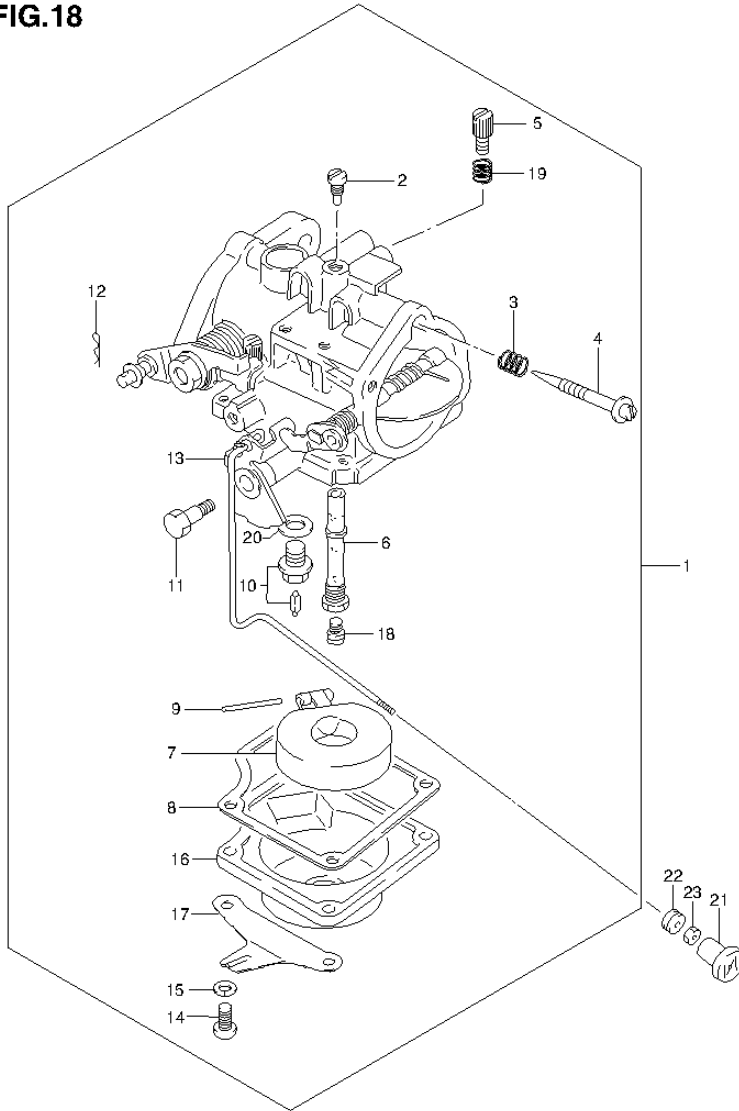


FIG.18 (1-C-5) CARBURETOR (DT40WR P40)

REF NO.	PART NO.	DESCRIPTION	Q'TY	REMARKS
1	13200-944J0	CARBURETOR ASSY	1	
2	09492-67004	.JET, PILOT (67.5)	1	
3	13271-93311	.SPRING, AIR SCREW	1	
4	13269-95210	.SCREW, PILOT AIR	1	
5	13267-93900	.SCREW	1	
6	13235-94400	.NOZZLE	1	
7	13250-93012	.FLOAT	1	
8	13251-95220	.GASKET, FLOAT CHAMBER	1	
9	13254-98300	.PIN, FLOAT	1	
10	13370-97E20	.VALVE ASSY, NEEDLE	1	
11	13613-94300	.BOLT	1	
12	13464-96350	.PIN	1	
13	13580-94400	.LEVER ASSY	1	
14	02112-05167	.SCREW	4	
15	08321-0105A	.LOCK WASHER	4	
16	13245-94400	.CHAMBER, FLOAT	1	
17	13426-95211	.PLATE, SPRING	1	
18	09491-38007	.JET, MAIN (190)	1	
19	13268-96111	.SPRING	1	
20	13392-58600	.GASKET, VALVE SEAT	1	
21	13631-93501	KNOB, STARTER	1	
22	09320-04009	BUSH	1	
23	09140-04007	NUT	1	
24	13910-94400	REPAIR KIT, CARBURETOR	1	OPT NOT ILLUSTRATED

FIG.19

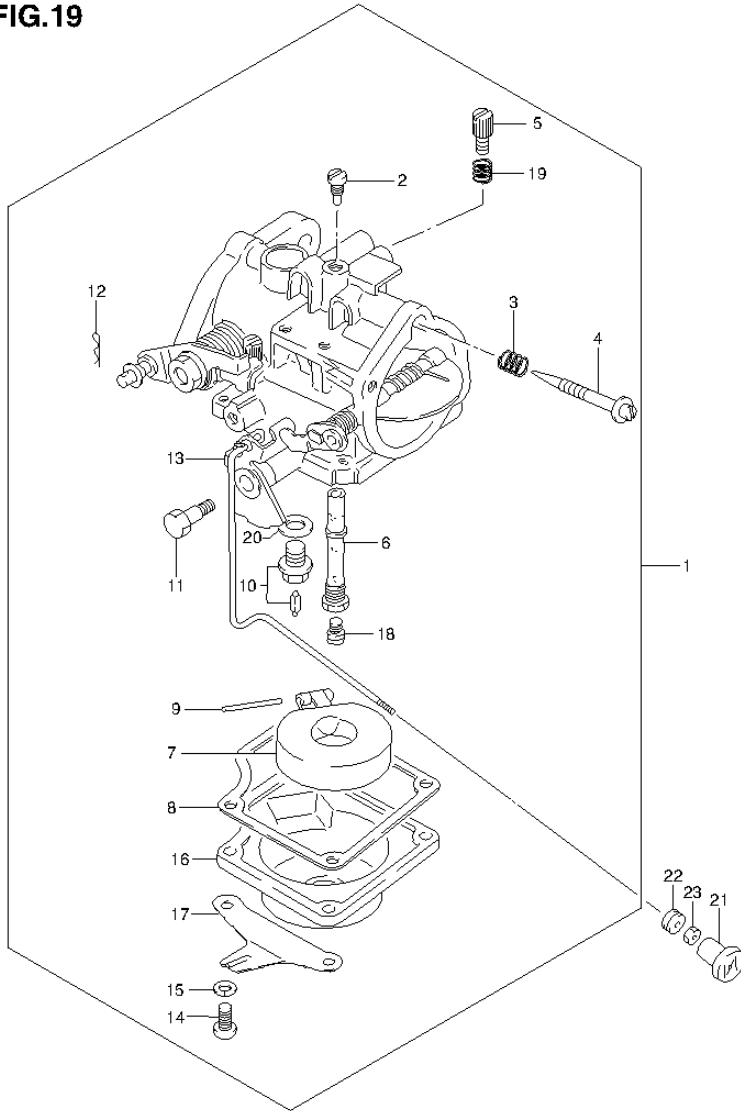


FIG.19 (1-C-6) CARBURETOR (DT40WR P90)

REF NO.	PART NO.	DESCRIPTION	Q'TY	REMARKS
1	13200-944J0	CARBURETOR ASSY	1	
2	09492-67004	.JET, PILOT (67.5)	1	
3	13271-93311	.SPRING, AIR SCREW	1	
4	13269-95210	.SCREW, PILOT AIR	1	
5	13267-93900	.SCREW	1	
6	13235-94400	.NOZZLE	1	
7	13250-93012	.FLOAT	1	
8	13251-95220	.GASKET, FLOAT CHAMBER	1	
9	13254-98300	.PIN, FLOAT	1	
10	13370-97E20	.VALVE ASSY, NEEDLE	1	
11	13613-94300	.BOLT	1	
12	13464-96350	.PIN	1	
13	13580-94400	.LEVER ASSY	1	
14	02112-05167	.SCREW	4	
15	08321-0105A	.LOCK WASHER	4	
16	13245-94400	.CHAMBER, FLOAT	1	
17	13426-95211	.PLATE, SPRING	1	
18	09491-38007	.JET, MAIN (190)	1	
19	13268-96111	.SPRING	1	
20	13392-58600	.GASKET, VALVE SEAT	1	
21	13631-93501	KNOB, STARTER	1	
22	09320-04009	BUSH	1	
23	09140-04007	NUT	1	
24	13910-94400	REPAIR KIT, CARBURETOR	1	OPT NOT ILLUSTRATED

FIG.20

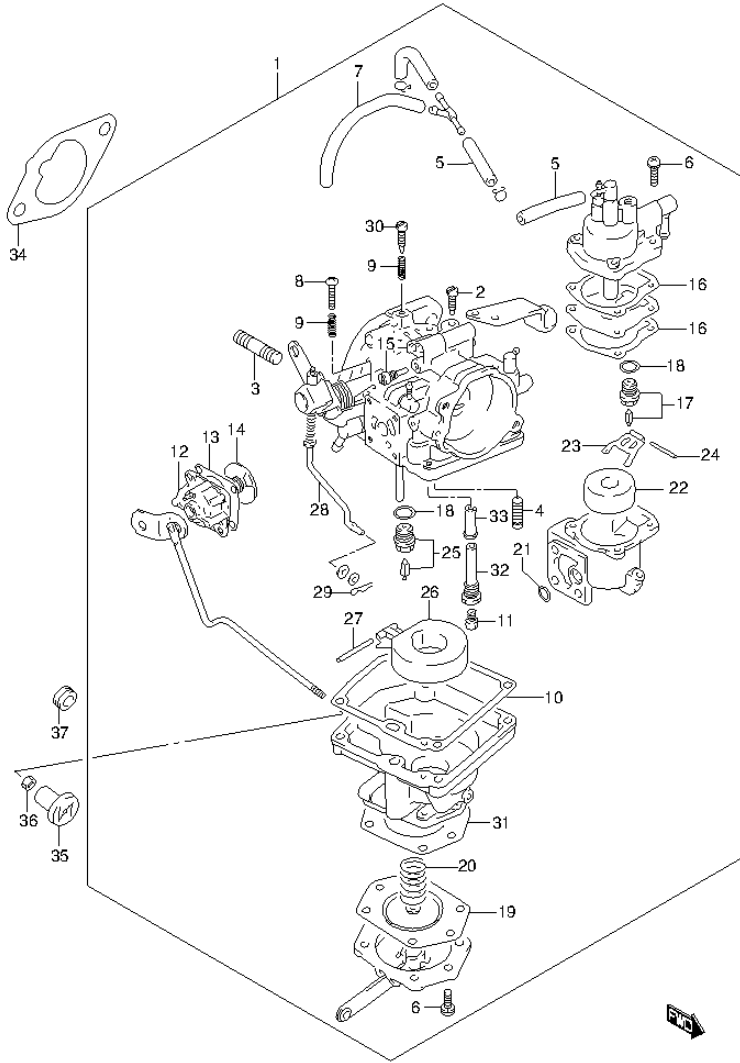


FIG.20 (1-C-7) CARBURETOR (DT40WK P40)

REF NO.	PART NO.	DESCRIPTION	Q'TY	REMARKS
1	13200-944D0	CARBURETOR	1	
2	09492-65002	.JET, PILOT (65)	1	FOR GASOLINE
3	01411-0820A	.STUD BOLT	1	
4	13443-94350	.VALVE	1	
5	13651-95300	.HOSE	2	
6	13249-93900	.SCREW	10	
7	13651-95300	.HOSE	1	
8	13534-96300	.SCREW	1	
9	13268-96111	.SPRING	2	
10	13245-94350	.GASKET, FLOAT CHAMBER	1	FOR KEROSENE
11	09491-38008	.JET, MAIN (195)	1	
12	13419-94400	.COVER, VALVE	1	
13	13418-94360	.GASKET	1	
14	13415-94350	.DISC, STARTER	1	
15	09492-75001	.JET, PILOT (75)	1	FOR KEROSENE
16	13265-94360	.GASKET	2	FOR GASOLINE
17	13370-94350	.NEEDLE VALVE ASSY	1	FOR GASOLINE
18	13392-58600	.PACKING	2	
19	13450-94350	.DIAPHRAGM ASSY	1	
20	13441-94350	.SPRING	1	
21	13521-78100	.O RING	1	
22	13270-94350	.FLOAT	1	FOR GASOLINE
23	13282-94350	.ARM	1	
24	13254-98410	.PIN	1	FOR GASOLINE
25	13370-27310	.NEEDLE VALVE ASSY	1	FOR KEROSENE
26	13250-93012	.FLOAT ASSY	1	FOR KEROSENE
27	13254-98300	.PIN	1	FOR KEROSENE
28	13462-94351	.ROD	1	
29	13464-96350	.SPRING PIN	1	
30	13269-98100	.SCREW, PILOT	1	
31	13446-94360	.GASKET	1	
32	13236-94460	.NOZZLE, MAIN	1	
33	13237-94460	.NOZZLE	1	
34	13126-94450	PLATE, AIR FLOW CONTROL	1	

FIG.20

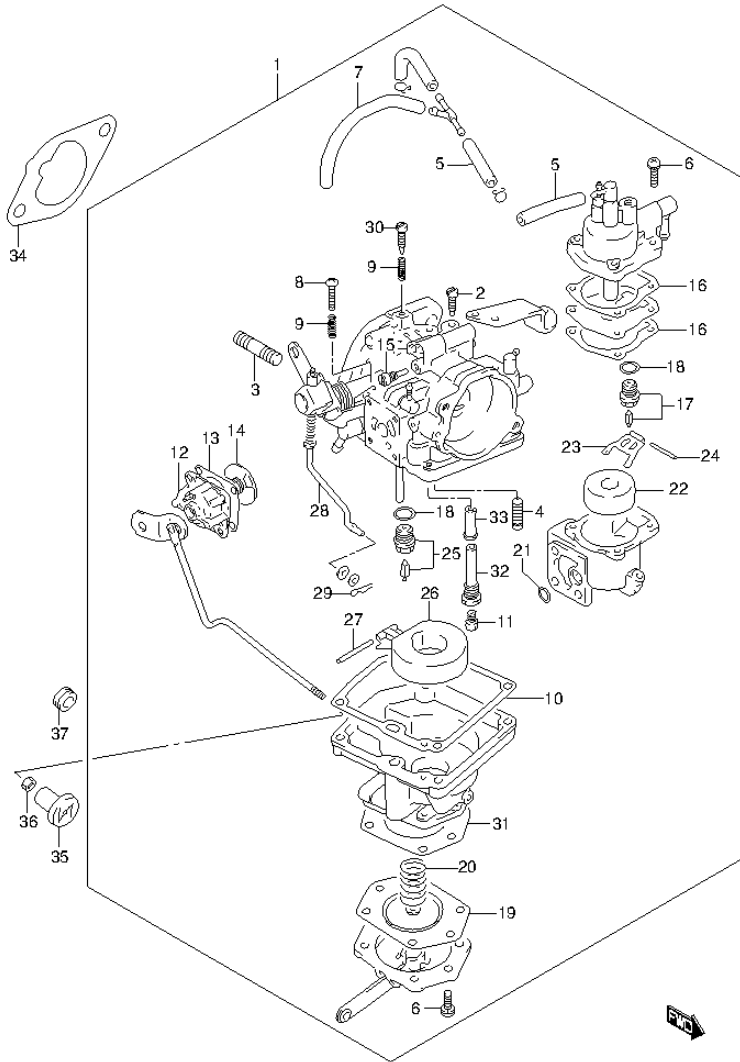


FIG.20 (1-C-8) CARBURETOR (DT40WK P40)

REF NO.	PART NO.	DESCRIPTION	Q'TY	REMARKS
35	13631-93501	KNOB, STARTER	1	
36	09140-04007	NUT	1	
37	09320-04009	BUSH	1	
38	13910-94400	REPAIR KIT, CARBURETOR	1	OPT NOT ILLUSTRATED

FIG.21

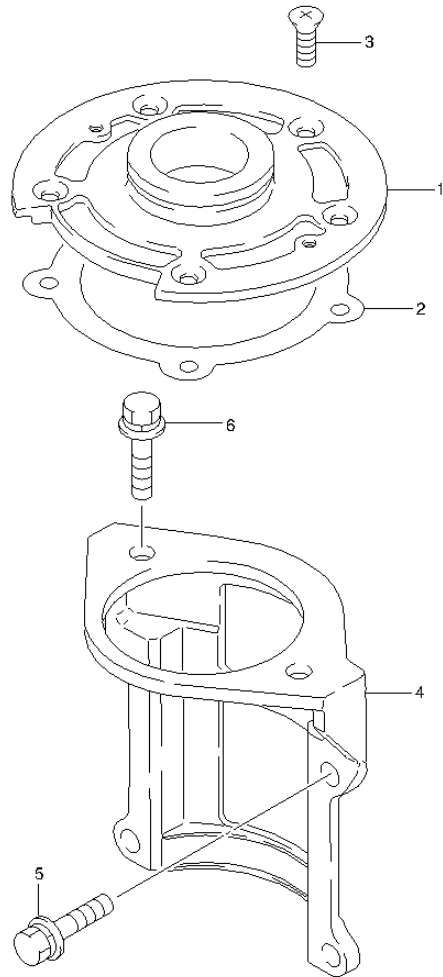


FIG.21 (1-C-9) OIL SEAL HOUSING (DT40W P40)

REF NO.	PART NO.	DESCRIPTION	Q'TY	REMARKS
1	11411-92L10	HOUSING, UPPER OIL SEAL	1	
2	11413-94411	GASKET, UPPER OIL SEAL	1	
3	09126-06022	SCREW (6X16)	5	
4	31911-92L00	BRACKET, STARTING MOTOR	1	W/ELECTRIC STARTER
5	01550-08257	BOLT	2	W/ELECTRIC STARTER
6	01580-08257	BOLT	2	

FIG.22

FIG.22 (1-C-10) OIL SEAL HOUSING (DT40W P90)

REF NO.	PART NO.	DESCRIPTION	Q'TY	REMARKS
1	11411-92L10	HOUSING, UPPER OIL SEAL	1	
2	11413-94411	GASKET, UPPER OIL SEAL	1	
3	09126-06022	SCREW (6X16)	5	

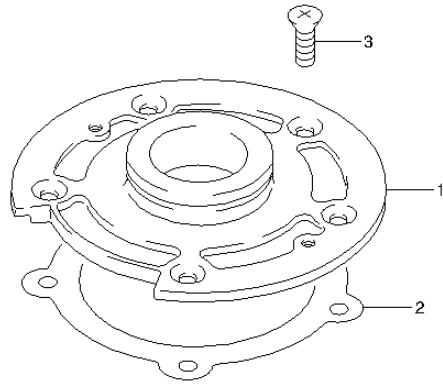


FIG.23

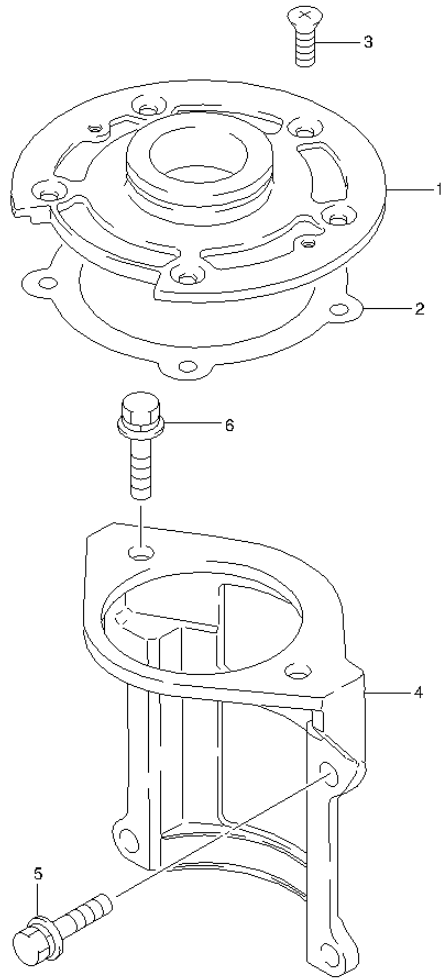


FIG.23 (1-C-11) OIL SEAL HOUSING (DT40WR P40)

REF NO.	PART NO.	DESCRIPTION	Q'TY	REMARKS
1	11411-92L10	HOUSING, UPPER OIL SEAL	1	
2	11413-94411	GASKET, UPPER OIL SEAL	1	
3	09126-06022	SCREW (6X16)	5	
4	31911-92L00	BRACKET, STARTING MOTOR	1	
5	01550-08257	BOLT	2	
6	01580-08257	BOLT	2	

FIG.24

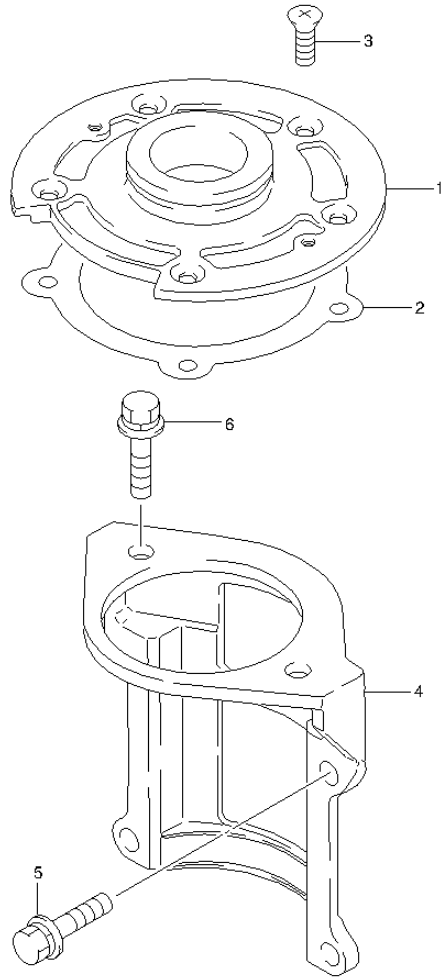


FIG.24 (1-C-12) OIL SEAL HOUSING (DT40WR P90)

REF NO.	PART NO.	DESCRIPTION	Q'TY	REMARKS
1	11411-92L10	HOUSING, UPPER OIL SEAL	1	
2	11413-94411	GASKET, UPPER OIL SEAL	1	
3	09126-06022	SCREW (6X16)	5	
4	31911-92L00	BRACKET, STARTING MOTOR	1	
5	01550-08257	BOLT	2	
6	01580-08257	BOLT	2	

FIG.25

FIG.25 (1-C-13) OIL SEAL HOUSING (DT40WK P40)

REF NO.	PART NO.	DESCRIPTION	Q'TY	REMARKS
1	11411-92L10	HOUSING, UPPER OIL SEAL	1	
2	11413-94411	GASKET, UPPER OIL SEAL	1	
3	09126-06022	SCREW (6X16)	5	

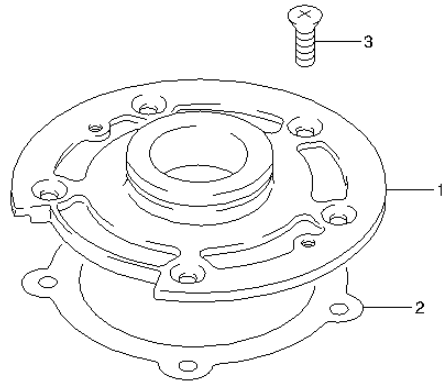


FIG.26

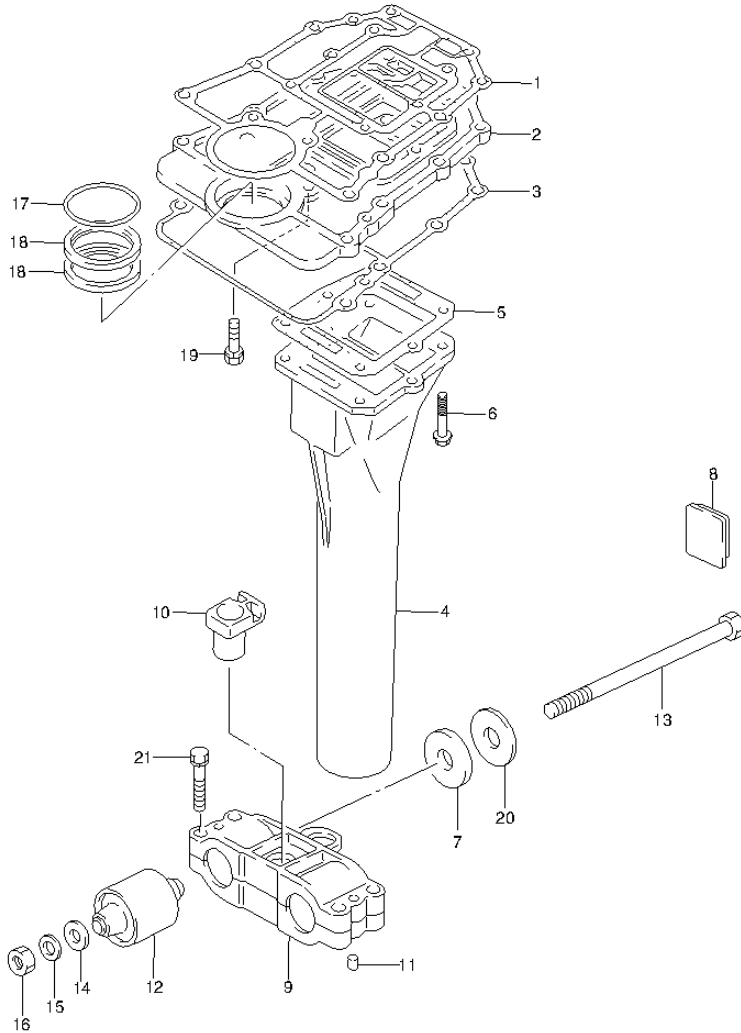


FIG.26 (1-C-14) EXHAUST TUBE (DT40W P40)

REF NO.	PART NO.	DESCRIPTION	Q'TY	REMARKS
1	11433-92L00	GASKET, UNDER OIL SEAL	1	
2	11431-92L00	HOUSING, UNDER OIL SEAL	1	
3	11434-92L00	GASKET, UNDER OIL SEAL LOWER	1	
4-1	14211-92L10	TUBE, EXHAUST (S/L)	1	W/TRANSOM(S) W/TRANSOM(L)
4-2	14211-92L20	TUBE, EXHAUST (L2)	1	W/TRANSOM(L2)
5	14212-94413	GASKET, EXHAUST TUBE	1	
6	09116-06234	BOLT (6X35)	6	
7	54121-94401	STOPPER, UPPER THRUST	2	
8	54125-94400	MOUNT, UPPER THRUST REVERSE	1	
9	54137-92L10	CASE, UPPER MOUNT	2	
10	54146-94400	GUIDE, UPPER MOUNT CASE	1	
11	09202-07001	PIN (7X10)	2	
12	54130-92L00	MOUNT, UPPER	2	
13	09100-10321	BOLT (10X150)	2	
14	09160-10148	WASHER (10X20X3)	2	
15	09160-10082	WASHER (10.5X19X2)	2	
16	09159-10L07	NUT	2	
17	09280-50008	O RING (D:3.1,ID:49.4)	1	
18	09282-17009	OIL SEAL (17X28X6)	2	
19	09116-06228	BOLT (6X20)	2	
20	09160-10080	WASHER (10.2X44X3)	2	
21	09116-08155	BOLT (8X45)	4	

FIG.27

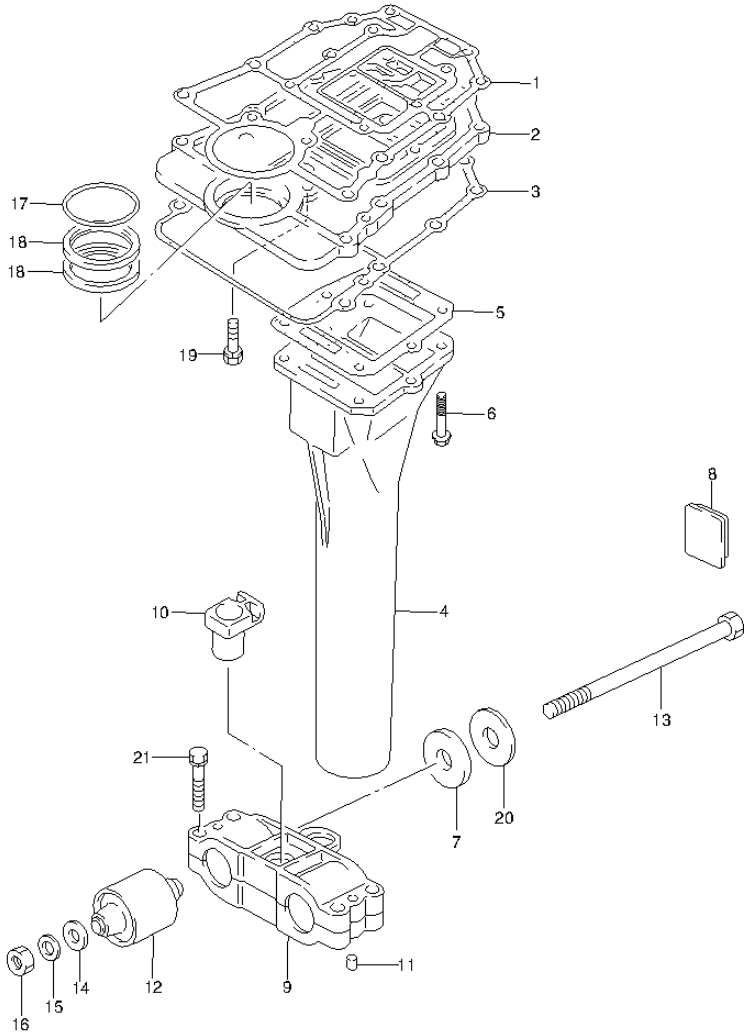


FIG.27 (1-C-15) EXHAUST TUBE (DT40W P90)

REF NO.	PART NO.	DESCRIPTION	Q'TY	REMARKS
1	11433-92L00	GASKET, UNDER OIL SEAL	1	
2	11431-92L00	HOUSING, UNDER OIL SEAL	1	
3	11434-92L00	GASKET, UNDER OIL SEAL LOWER	1	
4	14211-92L10	TUBE, EXHAUST (S/L)	1	
5	14212-94413	GASKET, EXHAUST TUBE	1	
6	09116-06234	BOLT (6X35)	6	
7	54121-94401	STOPPER, UPPER THRUST	2	
8	54125-94400	MOUNT, UPPER THRUST REVERSE	1	
9	54137-92L10	CASE, UPPER MOUNT	2	
10	54146-94400	GUIDE, UPPER MOUNT CASE	1	
11	09202-07001	PIN (7X10)	2	
12	54130-92L00	MOUNT, UPPER	2	
13	09100-10321	BOLT (10X150)	2	
14	09160-10148	WASHER (10X20X3)	2	
15	09160-10082	WASHER (10.5X19X2)	2	
16	09159-10L07	NUT	2	
17	09280-50008	O RING (D:3.1,ID:49.4)	1	
18	09282-17009	OIL SEAL (17X28X6)	2	
19	09116-06228	BOLT (6X20)	2	
20	09160-10080	WASHER (10.2X44X3)	2	
21	09116-08155	BOLT (8X45)	4	

FIG.28

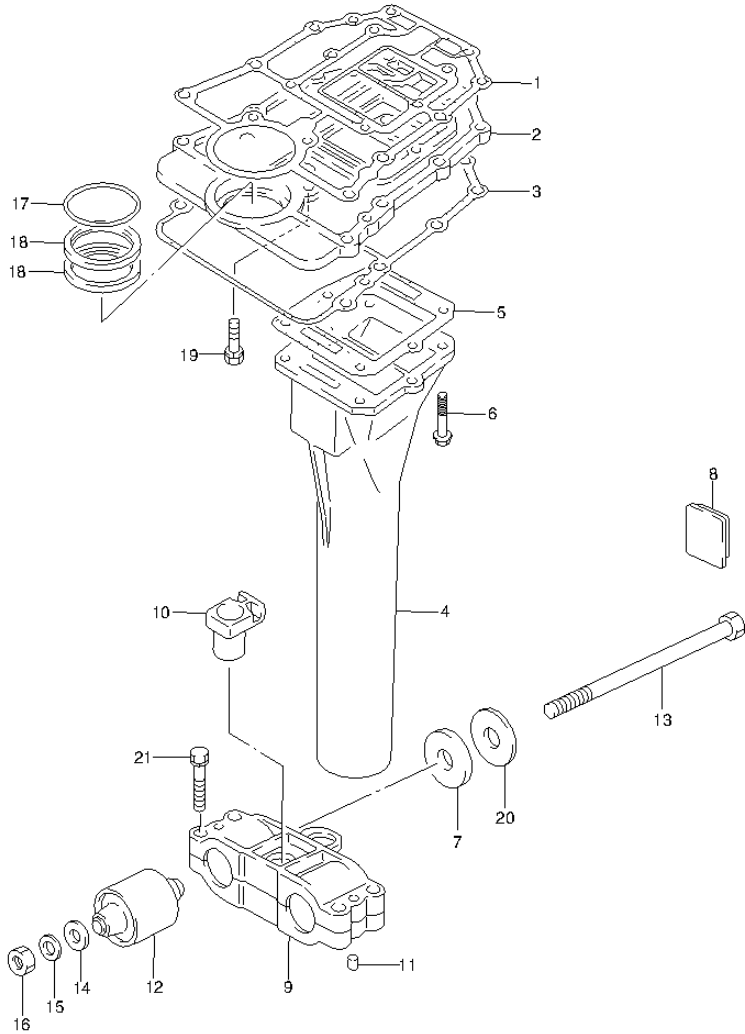


FIG.28 (1-D-2) EXHAUST TUBE (DT40WR P40)

REF NO.	PART NO.	DESCRIPTION	Q'TY	REMARKS
1	11433-92L00	GASKET, UNDER OIL SEAL	1	
2	11431-92L00	HOUSING, UNDER OIL SEAL	1	
3	11434-92L00	GASKET, UNDER OIL SEAL LOWER	1	
4-1	14211-92L10	TUBE, EXHAUST (S/L)	1	W/TRANSOM(L)
4-2	14211-92L20	TUBE, EXHAUST (L2)	1	W/TRANSOM(L2)
5	14212-94413	GASKET, EXHAUST TUBE	1	
6	09116-06234	BOLT (6X35)	6	
7	54121-94401	STOPPER, UPPER THRUST	2	
8	54125-94400	MOUNT, UPPER THRUST REVERSE	1	
9	54137-92L10	CASE, UPPER MOUNT	2	
10	54146-94400	GUIDE, UPPER MOUNT CASE	1	
11	09202-07001	PIN (7X10)	2	
12	54130-92L00	MOUNT, UPPER	2	
13	09100-10321	BOLT (10X150)	2	
14	09160-10148	WASHER (10X20X3)	2	
15	09160-10082	WASHER (10.5X19X2)	2	
16	09159-10L07	NUT	2	
17	09280-50008	O RING (D:3.1,ID:49.4)	1	
18	09282-17009	OIL SEAL (17X28X6)	2	
19	09116-06228	BOLT (6X20)	2	
20	09160-10080	WASHER (10.2X44X3)	2	
21	09116-08155	BOLT (8X45)	4	

FIG.29

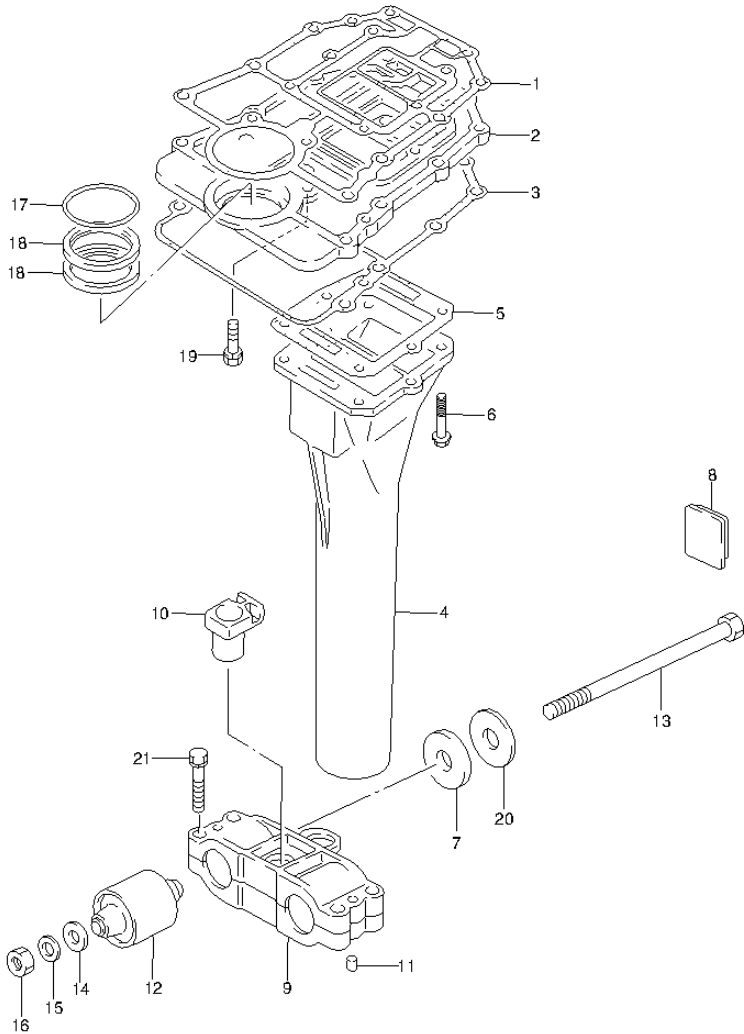


FIG.29 (1-D-3) EXHAUST TUBE (DT40WR P90)

REF NO.	PART NO.	DESCRIPTION	Q'TY	REMARKS
1	11433-92L00	GASKET, UNDER OIL SEAL	1	
2	11431-92L00	HOUSING, UNDER OIL SEAL	1	
3	11434-92L00	GASKET, UNDER OIL SEAL LOWER	1	
4	14211-92L10	TUBE, EXHAUST (S/L)	1	
5	14212-94413	GASKET, EXHAUST TUBE	1	
6	09116-06234	BOLT (6X35)	6	
7	54121-94401	STOPPER, UPPER THRUST	2	
8	54125-94400	MOUNT, UPPER THRUST REVERSE	1	
9	54137-92L10	CASE, UPPER MOUNT	2	
10	54146-94400	GUIDE, UPPER MOUNT CASE	1	
11	09202-07001	PIN (7X10)	2	
12	54130-92L00	MOUNT, UPPER	2	
13	09100-10321	BOLT (10X150)	2	
14	09160-10148	WASHER (10X20X3)	2	
15	09160-10082	WASHER (10.5X19X2)	2	
16	09159-10L07	NUT	2	
17	09280-50008	O RING (D:3.1,ID:49.4)	1	
18	09282-17009	OIL SEAL (17X28X6)	2	
19	09116-06228	BOLT (6X20)	2	
20	09160-10080	WASHER (10.2X44X3)	2	
21	09116-08155	BOLT (8X45)	4	

FIG.30

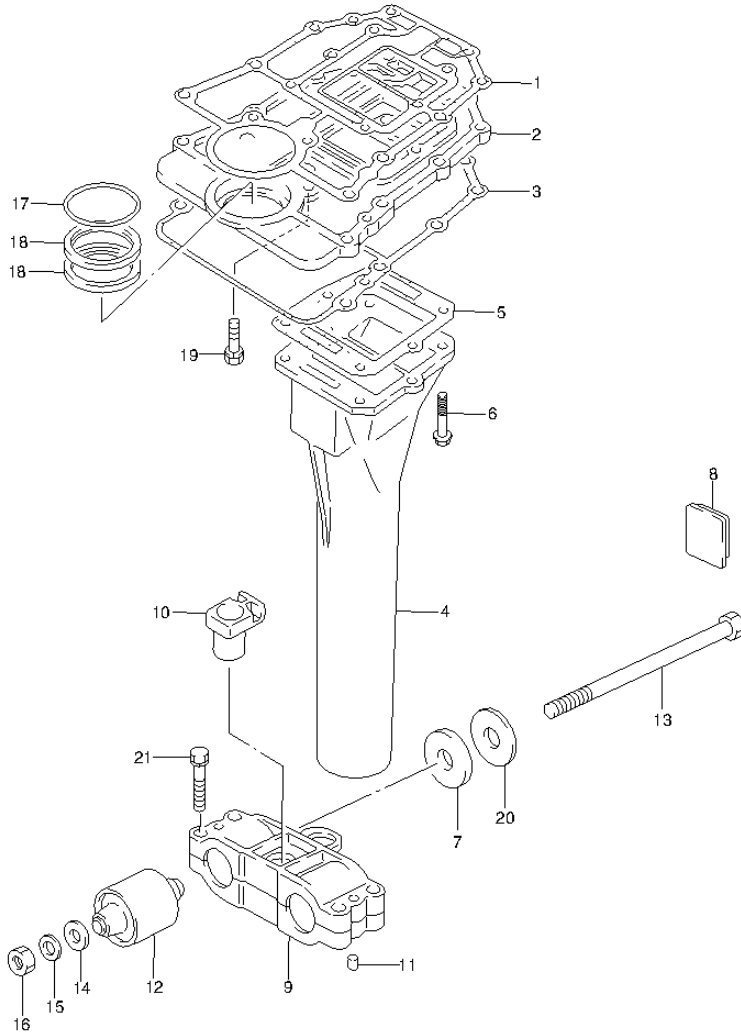


FIG.30 (1-D-4) EXHAUST TUBE (DT40WK P40)

REF NO.	PART NO.	DESCRIPTION	Q'TY	REMARKS
1	11433-92L00	GASKET, UNDER OIL SEAL	1	
2	11431-92L00	HOUSING, UNDER OIL SEAL	1	
3	11434-92L00	GASKET, UNDER OIL SEAL LOWER	1	
4-1	14211-92L10	TUBE, EXHAUST (S/L)	1	W/TRANSOM(S) W/TRANSOM(L)
4-2	14211-92L20	TUBE, EXHAUST (L2)	1	W/TRANSOM(L2)
5	14212-94413	GASKET, EXHAUST TUBE	1	
6	09116-06234	BOLT (6X35)	6	
7	54121-94401	STOPPER, UPPER THRUST	2	
8	54125-94400	MOUNT, UPPER THRUST REVERSE	1	
9	54137-92L10	CASE, UPPER MOUNT	2	
10	54146-94400	GUIDE, UPPER MOUNT CASE	1	
11	09202-07001	PIN (7X10)	2	
12	54130-92L00	MOUNT, UPPER	2	
13	09100-10321	BOLT (10X150)	2	
14	09160-10148	WASHER (10X20X3)	2	
15	09160-10082	WASHER (10.5X19X2)	2	
16	09159-10L07	NUT	2	
17	09280-50008	O RING (D:3.1,ID:49.4)	1	
18	09282-17009	OIL SEAL (17X28X6)	2	
19	09116-06228	BOLT (6X20)	2	
20	09160-10080	WASHER (10.2X44X3)	2	
21	09116-08155	BOLT (8X45)	4	

FIG.31

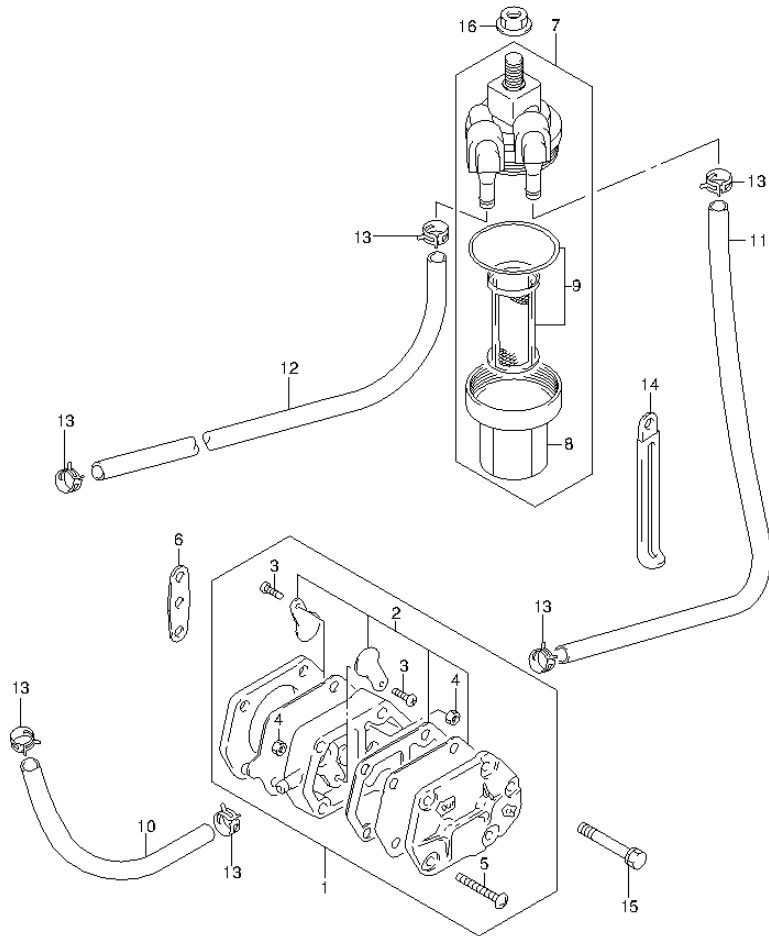


FIG.31 (1-D-5) FUEL PUMP (DT40W P40)

REF NO.	PART NO.	DESCRIPTION	Q'TY	REMARKS
1	15100-94311	PUMP, FUEL	1	
2	15170-94320	.DIAPHRAGM SET	1	
3	15183-94301	.SCREW	2	
4	15186-94300	.NUT	2	
5	15851-94300	.SCREW	3	
6	15321-99710	GASKET, FUEL PUMP	1	
7	15410-94400	FILTER ASSY, FUEL	1	
8	15413-87D10	.CUP	1	
9	15430-87D10	.ELEMENT SET	1	
10	15211-91J00-110	HOSE, FUEL (PUMP TO CARB)	1	
11	15211-91J00-135	HOSE, FUEL (FILTER TO PUMP)	1	
12	15211-91J00-400	HOSE, FUEL (CONNECTOR TO FILTER)	1	
13	09401-08413	CLIP	6	
14	29404-93J10	CLAMP	1	
15	01570-06407	BOLT	2	
16	08316-10087	NUT	1	

FIG.32

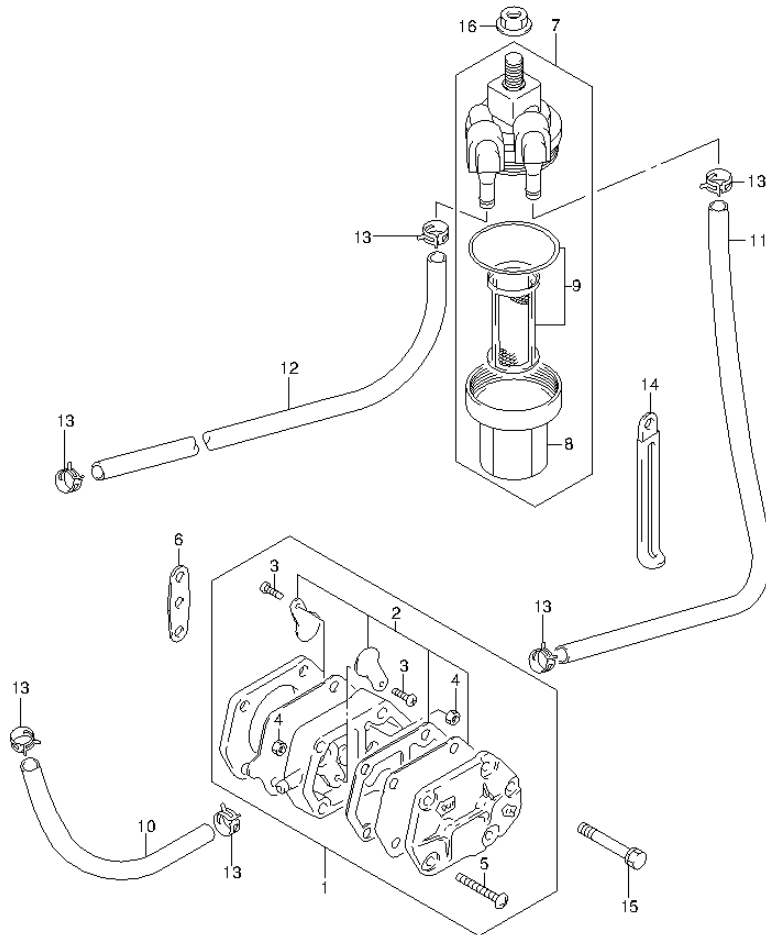
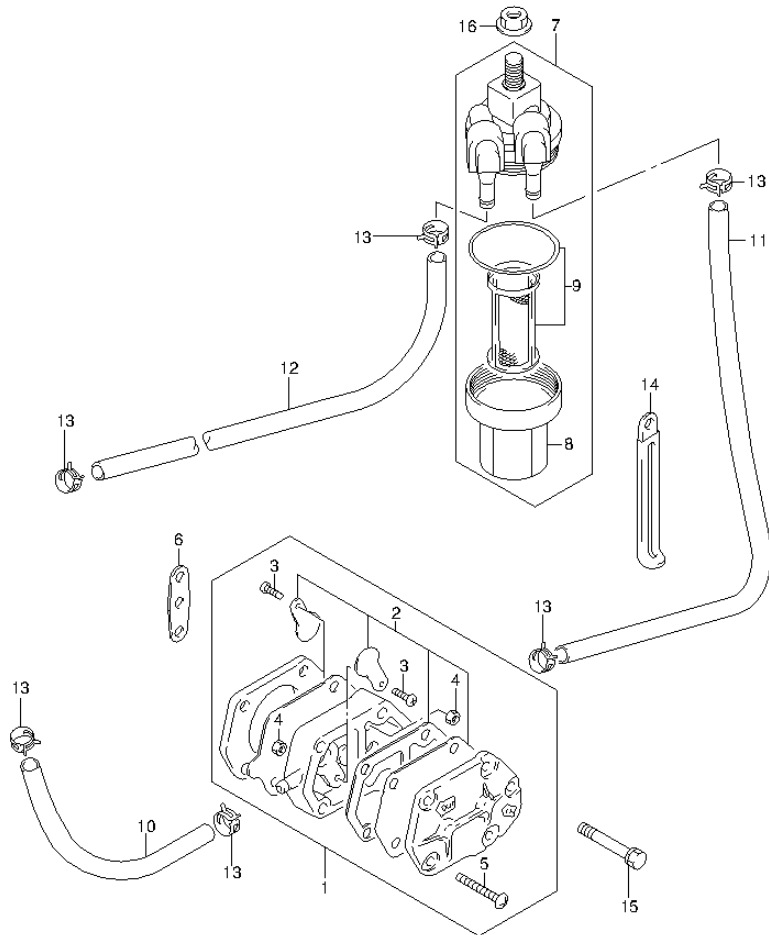


FIG.32 (1-D-6) FUEL PUMP (DT40W P90)

REF NO.	PART NO.	DESCRIPTION	Q'TY	REMARKS
1	15100-94311	PUMP, FUEL	1	
2	15170-94320	.DIAPHRAGM SET	1	
3	15183-94301	.SCREW	2	
4	15186-94300	.NUT	2	
5	15851-94300	.SCREW	3	
6	15321-99710	GASKET, FUEL PUMP	1	
7	15410-94400	FILTER ASSY, FUEL	1	
8	15413-87D10	.CUP	1	
9	15430-87D10	.ELEMENT SET	1	
10	15211-91J00-110	HOSE, FUEL (PUMP TO CARB)	1	
11	15211-91J00-135	HOSE, FUEL (FILTER TO PUMP)	1	
12	15211-91J00-400	HOSE, FUEL (CONNECTOR TO FILTER)	1	
13	09401-08413	CLIP	6	
14	29404-93J10	CLAMP	1	
15	01570-06407	BOLT	2	
16	08316-10087	NUT	1	

FIG.33

FIG.33 (1-D-7) FUEL PUMP (DT40WR P40)



REF NO.	PART NO.	DESCRIPTION	Q'TY	REMARKS
1	15100-94311	PUMP, FUEL	1	
2	15170-94320	.DIAPHRAGM SET	1	
3	15183-94301	.SCREW	2	
4	15186-94300	.NUT	2	
5	15851-94300	.SCREW	3	
6	15321-99710	GASKET, FUEL PUMP	1	
7	15410-94400	FILTER ASSY, FUEL	1	
8	15413-87D10	.CUP	1	
9	15430-87D10	.ELEMENT SET	1	
10	15211-91J00-110	HOSE, FUEL (PUMP TO CARB)	1	
11	15211-91J00-135	HOSE, FUEL (FILTER TO PUMP)	1	
12	15211-91J00-400	HOSE, FUEL (CONNECTOR TO FILTER)	1	
13	09401-08413	CLIP	6	
14	29404-93J10	CLAMP	1	
15	01570-06407	BOLT	2	
16	08316-10087	NUT	1	

FIG.34

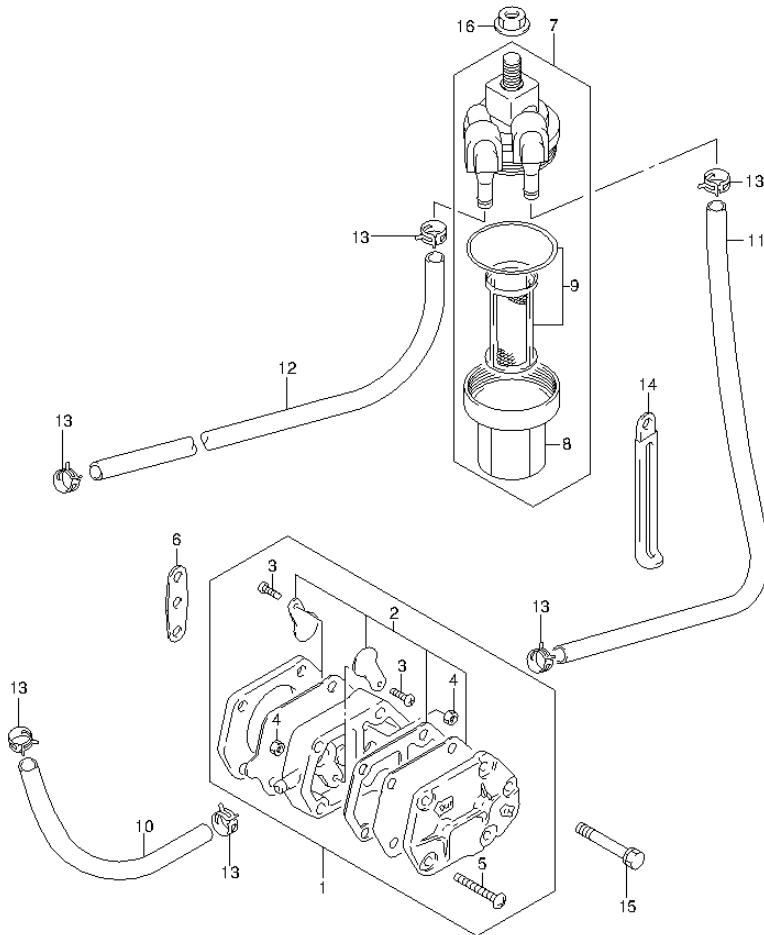


FIG.34 (1-D-8) FUEL PUMP (DT40WR P90)

REF NO.	PART NO.	DESCRIPTION	Q'TY	REMARKS
1	15100-94311	PUMP, FUEL	1	
2	15170-94320	.DIAPHRAGM SET	1	
3	15183-94301	.SCREW	2	
4	15186-94300	.NUT	2	
5	15851-94300	.SCREW	3	
6	15321-99710	GASKET, FUEL PUMP	1	
7	15410-94400	FILTER ASSY, FUEL	1	
8	15413-87D10	.CUP	1	
9	15430-87D10	.ELEMENT SET	1	
10	15211-91J00-110	HOSE, FUEL (PUMP TO CARB)	1	
11	15211-91J00-135	HOSE, FUEL (FILTER TO PUMP)	1	
12	15211-91J00-400	HOSE, FUEL (CONNECTOR TO FILTER)	1	
13	09401-08413	CLIP	6	
14	29404-93J10	CLAMP	1	
15	01570-06407	BOLT	2	
16	08316-10087	NUT	1	

FIG.35

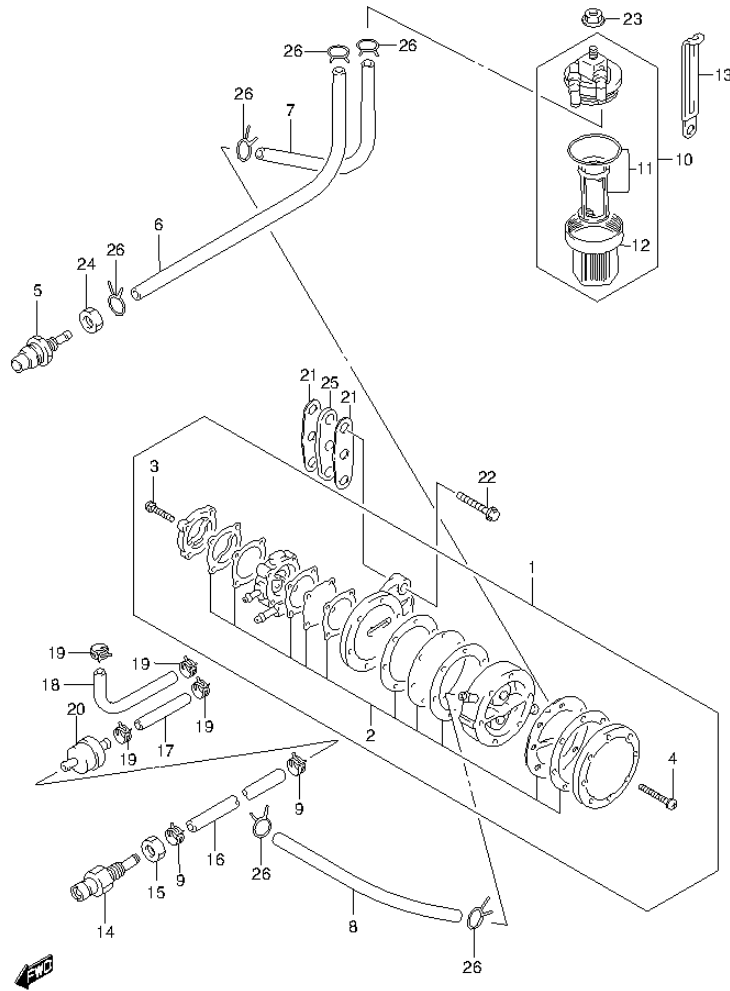
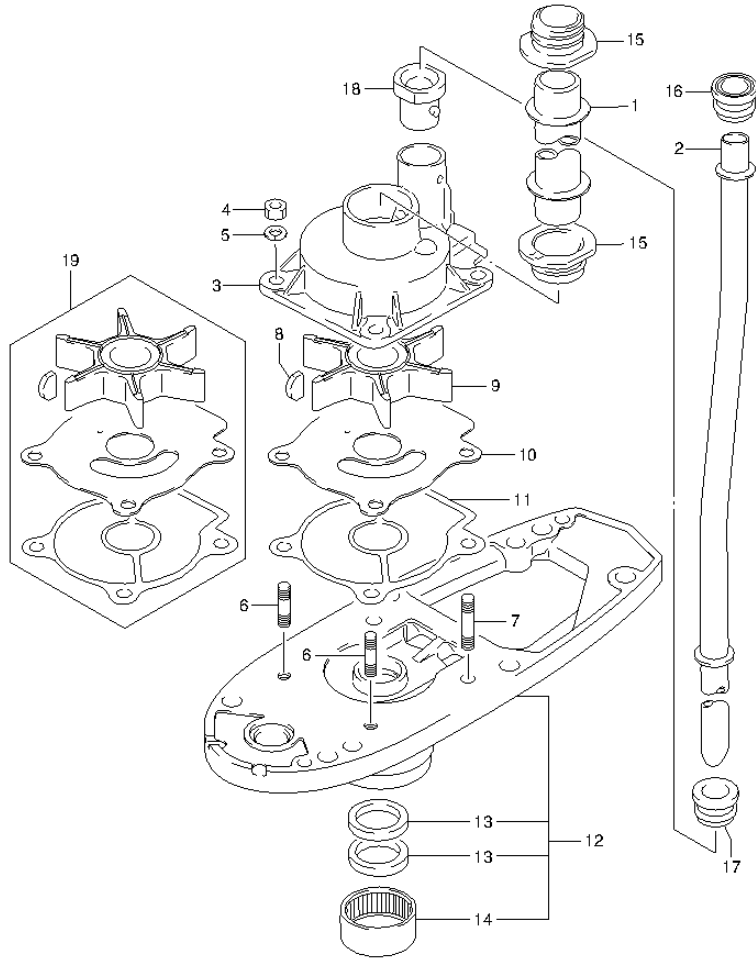


FIG.35 (1-D-9) FUEL PUMP (DT40WK P40)

REF NO.	PART NO.	DESCRIPTION	Q'TY	REMARKS
1	15100-94460	PUMP ASSY, FUEL	1	
2	15170-94460	.DIAPHRAGM SET	1	
3	15251-94450	.SCREW	4	
4	15251-94470	.SCREW	6	
5	65720-985L0	PLUG, FUEL CONNECTOR	1	FOR KEROSENE
6	09355-50108-370	HOSE, FUEL (5X10X370)	1	FOR KEROSENE CONN TO FILTER
7	09355-50108-135	HOSE, FUEL (5X10X135)	1	FOR KEROSENE FILTER TO PUMP
8	09355-50108-260	HOSE, FUEL (5X10X260)	1	FOR KEROSENE PUMP TO CARB
9	09401-10412	CLIP	2	
10	15410-94400	FILTER ASSY, FUEL	1	
11	15430-87D10	.ELEMENT SET	1	
12	15413-87D10	.CUP	1	
13	29404-93J10	CLAMP	1	FOR KEROSENE
14	65720-95512	PLUG, FUEL CONNECTOR	1	FOR GASOLINE
15	09140-12038	NUT	1	FOR GASOLINE
16	09352-70113-600	HOSE (7X11X600)	1	L:600->150 FOR GASOLINE CONN TO FILTER
17	15211-91J00-050	HOSE, FUEL (FILTER TO PUMP)	1	FOR GASOLINE
18	15211-91J00-140	HOSE, FUEL (PUMP TO CARB)	1	FOR GASOLINE
19	09401-08413	CLIP	4	
20	15410-94350	FILTER, FUEL	1	
21	15321-96300	GASKET, FUEL PUMP	2	
22	01550-06307	BOLT	2	
23	08316-10087	NUT	1	
24	09140-10032	NUT	1	FOR KEROSENE
25	15322-96300	INSULATOR, FUEL PUMP	1	
26	59412-91J00	CLIP	6	

FIG.36

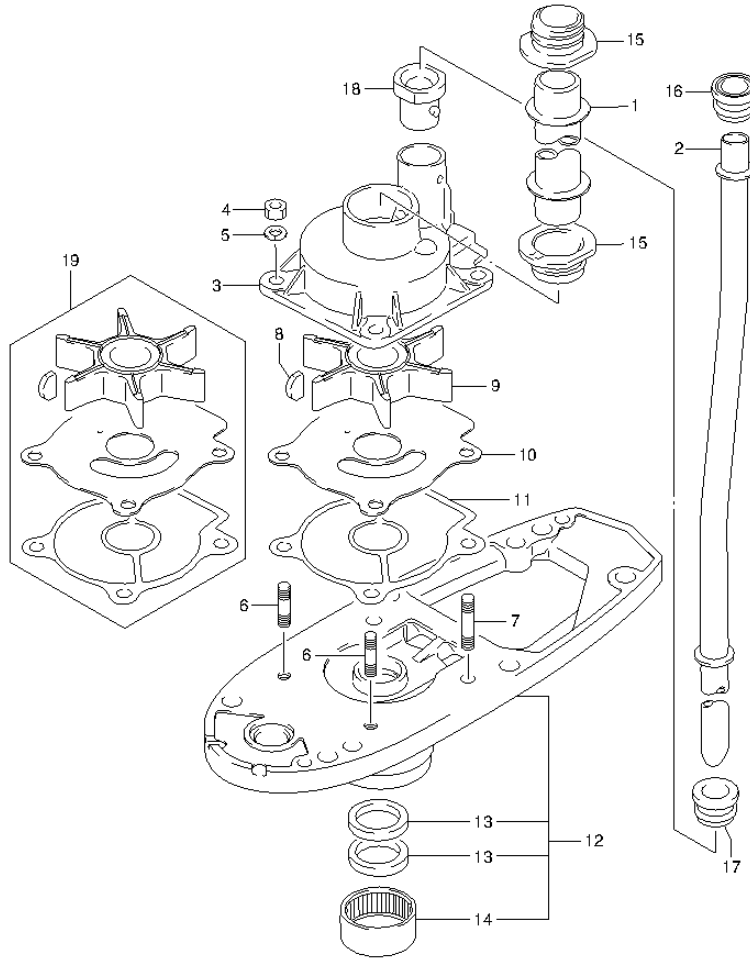
FIG.36 (1-D-10) WATER PUMP (DT40W P40)



REF NO.	PART NO.	DESCRIPTION	Q'TY	REMARKS
1-1	17431-92L10	TUBE, WATER PUMP SEAL (S)	1	W/TRANSOM(S) L:21
1-2	17431-92L20	TUBE, WATER PUMP SEAL (L)	1	W/TRANSOM(L) L:126
1-3	17431-92L00	TUBE, WATER PUMP SEAL (L2)	1	W/TRANSOM(L2) L:173
2-1	17561-92L50	TUBE, WATER (S)	1	W/TRANSOM(S) L:366
2-2	17561-92L60	TUBE, WATER (L)	1	W/TRANSOM(L) L:446
2-3	17561-92L70	TUBE, WATER (L2)	1	W/TRANSOM(L2) L:493
3	17410-92L00	CASE, WATER PUMP	1	
4	29141-93J00	NUT	4	
5	29162-93J00	LOCK WASHER	4	
6	09108-06060	STUD BOLT	2	
7	09108-06061	STUD BOLT	2	
8	09420-04006	KEY	1	
9	17461-963L0	IMPELLER, WATER PUMP	1	
10	17471-92L00	PANEL, PUMP CASE UNDER	1	
11	17472-96303	GASKET, PUMP CASE UNDER	1	
12	56130-92L10-0EP	HOUSING, DRIVE SHAFT BEARING (BLACK)	1	
13	09282-17L01	.OIL SEAL (17X32X6)	2	
14	09263-25L02	.BEARING (25X33X15)	1	
15	17432-96300	GROMMET, WATER PUMP SEAL TUBE	2	
16	17563-94400	GROMMET, WATER TUBE, UPPER	1	
17	17565-94400	GROMMET, WATER TUBE, MIDDLE	1	
18	17566-94400	GROMMET, WATER TUBE, LOWER	1	
19	17400-94412	KIT, WATER PUMP REPAIR	1	OPT

FIG.37

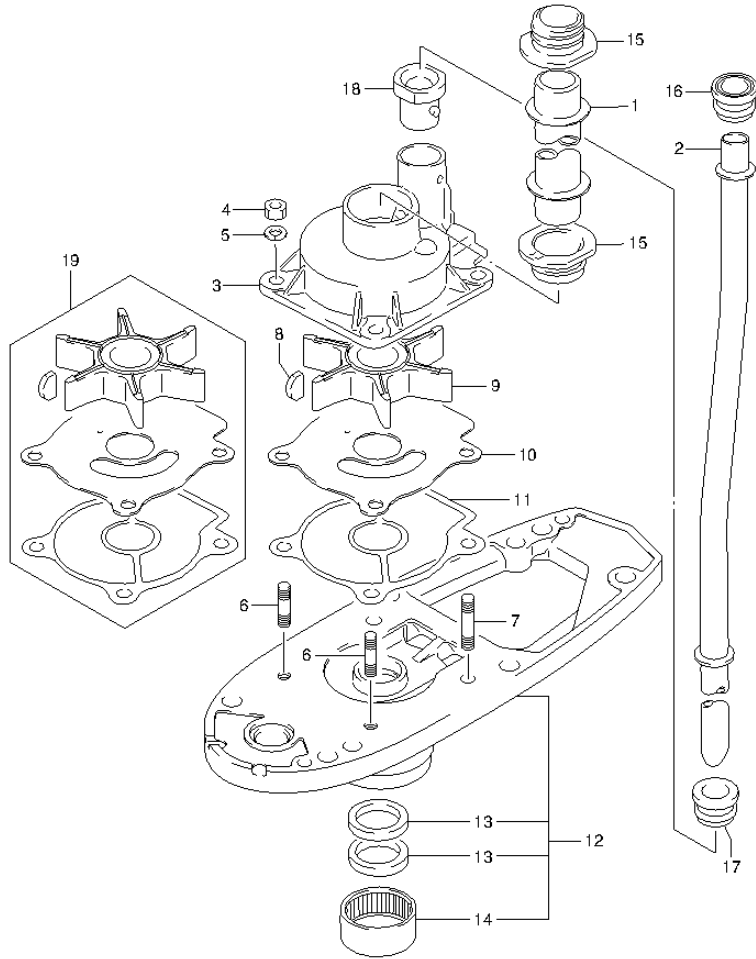
FIG.37 (1-D-11) WATER PUMP (DT40W P90)



REF NO.	PART NO.	DESCRIPTION	Q'TY	REMARKS
1	17431-92L10	TUBE, WATER PUMP SEAL (S)	1	L:21
2	17561-92L50	TUBE, WATER (S)	1	L:366
3	17410-92L00	CASE, WATER PUMP	1	
4	29141-93J00	NUT	4	
5	29162-93J00	LOCK WASHER	4	
6	09108-06060	STUD BOLT	2	
7	09108-06061	STUD BOLT	2	
8	09420-04006	KEY	1	
9	17461-963L0	IMPELLER, WATER PUMP	1	
10	17471-92L00	PANEL, PUMP CASE UNDER	1	
11	17472-96303	GASKET, PUMP CASE UNDER	1	
12	56130-92L10-OEP	HOUSING, DRIVE SHAFT BEARING (BLACK)	1	
13	09282-17L01	.OIL SEAL (17X32X6)	2	
14	09263-25L02	.BEARING (25X33X15)	1	
15	17432-96300	GROMMET, WATER PUMP SEAL TUBE	2	
16	17563-94400	GROMMET, WATER TUBE, UPPER	1	
17	17565-94400	GROMMET, WATER TUBE, MIDDLE	1	
18	17566-94400	GROMMET, WATER TUBE, LOWER	1	
19	17400-94412	KIT, WATER PUMP REPAIR	1	OPT

FIG.38

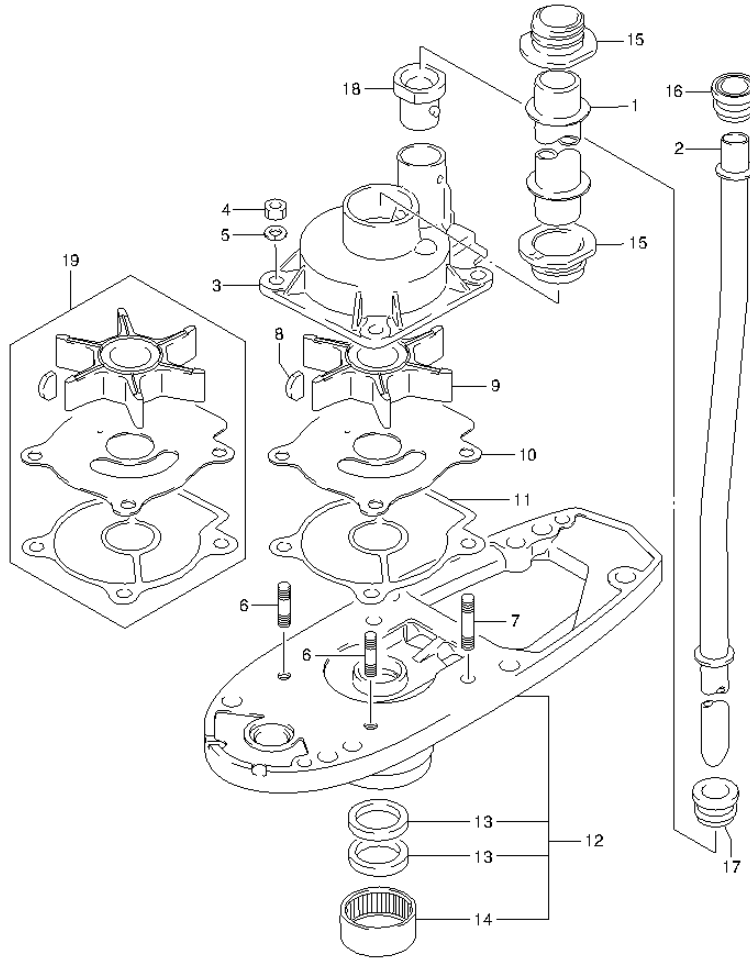
FIG.38 (1-D-12) WATER PUMP (DT40WR P40)



REF NO.	PART NO.	DESCRIPTION	Q'TY	REMARKS
1-1	17431-92L20	TUBE, WATER PUMP SEAL (L)	1	W/TRANSOM(L) L:126
1-2	17431-92L00	TUBE, WATER PUMP SEAL (L2)	1	W/TRANSOM(L2) L:173
2-1	17561-92L60	TUBE, WATER (L)	1	W/TRANSOM(L) L:446
2-2	17561-92L70	TUBE, WATER (L2)	1	W/TRANSOM(L2) L:493
3	17410-92L00	CASE, WATER PUMP	1	
4	29141-93J00	NUT	4	
5	29162-93J00	LOCK WASHER	4	
6	09108-06060	STUD BOLT	2	
7	09108-06061	STUD BOLT	2	
8	09420-04006	KEY	1	
9	17461-963L0	IMPELLER, WATER PUMP	1	
10	17471-92L00	PANEL, PUMP CASE UNDER	1	
11	17472-96303	GASKET, PUMP CASE UNDER	1	
12	56130-92L10-0EP	HOUSING, DRIVE SHAFT BEARING (BLACK)	1	
13	09282-17L01	.OIL SEAL (17X32X6)	2	
14	09263-25L02	.BEARING (25X33X15)	1	
15	17432-96300	GROMMET, WATER PUMP SEAL TUBE	2	
16	17563-94400	GROMMET, WATER TUBE, UPPER	1	
17	17565-94400	GROMMET, WATER TUBE, MIDDLE	1	
18	17566-94400	GROMMET, WATER TUBE, LOWER	1	
19	17400-94412	KIT, WATER PUMP REPAIR	1	OPT

FIG.39

FIG.39 (1-D-13) WATER PUMP (DT40WR P90)



REF NO.	PART NO.	DESCRIPTION	Q'TY	REMARKS
1	17431-92L10	TUBE, WATER PUMP SEAL (S)	1	L:21
2	17561-92L50	TUBE, WATER (S)	1	L:366
3	17410-92L00	CASE, WATER PUMP	1	
4	29141-93J00	NUT	4	
5	29162-93J00	LOCK WASHER	4	
6	09108-06060	STUD BOLT	2	
7	09108-06061	STUD BOLT	2	
8	09420-04006	KEY	1	
9	17461-963L0	IMPELLER, WATER PUMP	1	
10	17471-92L00	PANEL, PUMP CASE UNDER	1	
11	17472-96303	GASKET, PUMP CASE UNDER	1	
12	56130-92L10-0EP	HOUSING, DRIVE SHAFT BEARING (BLACK)	1	
13	09282-17L01	.OIL SEAL (17X32X6)	2	
14	09263-25L02	.BEARING (25X33X15)	1	
15	17432-96300	GROMMET, WATER PUMP SEAL TUBE	2	
16	17563-94400	GROMMET, WATER TUBE, UPPER	1	
17	17565-94400	GROMMET, WATER TUBE, MIDDLE	1	
18	17566-94400	GROMMET, WATER TUBE, LOWER	1	
19	17400-94412	KIT, WATER PUMP REPAIR	1	OPT

FIG.40

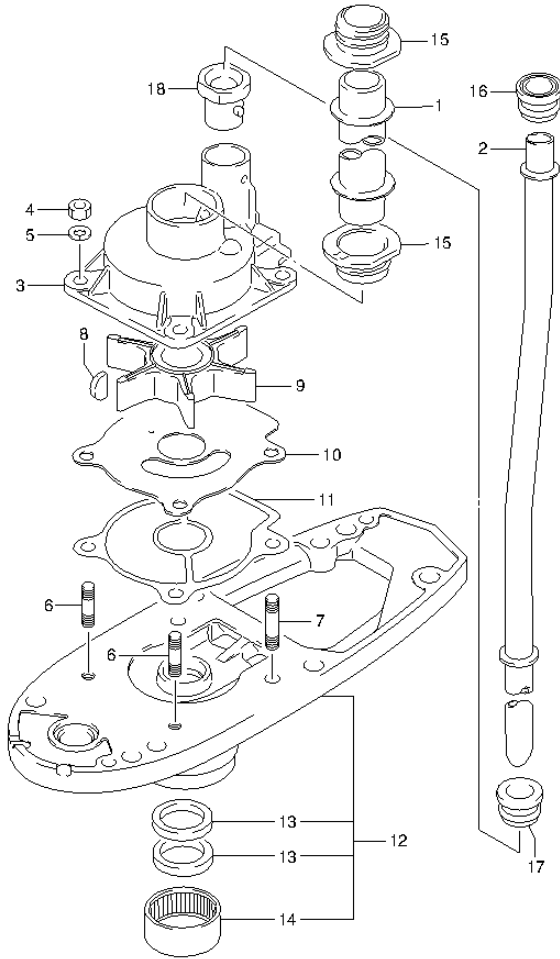


FIG.40 (1-D-14) WATER PUMP (DT40WK P40)

REF NO.	PART NO.	DESCRIPTION	Q'TY	REMARKS
1-1	17431-92L10	TUBE, WATER PUMP SEAL (S)	1	W/TRANSOM(S) L:21
1-2	17431-92L20	TUBE, WATER PUMP SEAL (L)	1	W/TRANSOM(L) L:126
1-3	17431-92L00	TUBE, WATER PUMP SEAL (L2)	1	W/TRANSOM(L2) L:173
2-1	17561-92L50	TUBE, WATER (S)	1	W/TRANSOM(S) L:366
2-2	17561-92L60	TUBE, WATER (L)	1	W/TRANSOM(L) L:446
2-3	17561-92L70	TUBE, WATER (L2)	1	W/TRANSOM(L2) L:493
3	17410-92L00	CASE, WATER PUMP	1	
4	29141-93J00	NUT	4	
5	29162-93J00	LOCK WASHER	4	
6	09108-06060	STUD BOLT	2	
7	09108-06061	STUD BOLT	2	
8	09420-04006	KEY	1	
9	17461-963L0	IMPELLER, WATER PUMP	1	
10	17471-92L00	PANEL, PUMP CASE UNDER	1	
11	17472-96303	GASKET, PUMP CASE UNDER	1	
12	56130-92L10-0EP	HOUSING, DRIVE SHAFT BEARING (BLACK)	1	
13	09282-17L01	.OIL SEAL (17X32X6)	2	
14	09263-25L02	.BEARING (25X33X15)	1	
15	17432-96300	GROMMET, WATER PUMP SEAL TUBE	2	
16	17563-94400	GROMMET, WATER TUBE, UPPER	1	
17	17565-94400	GROMMET, WATER TUBE, MIDDLE	1	
18	17566-94400	GROMMET, WATER TUBE, LOWER	1	

FIG.41

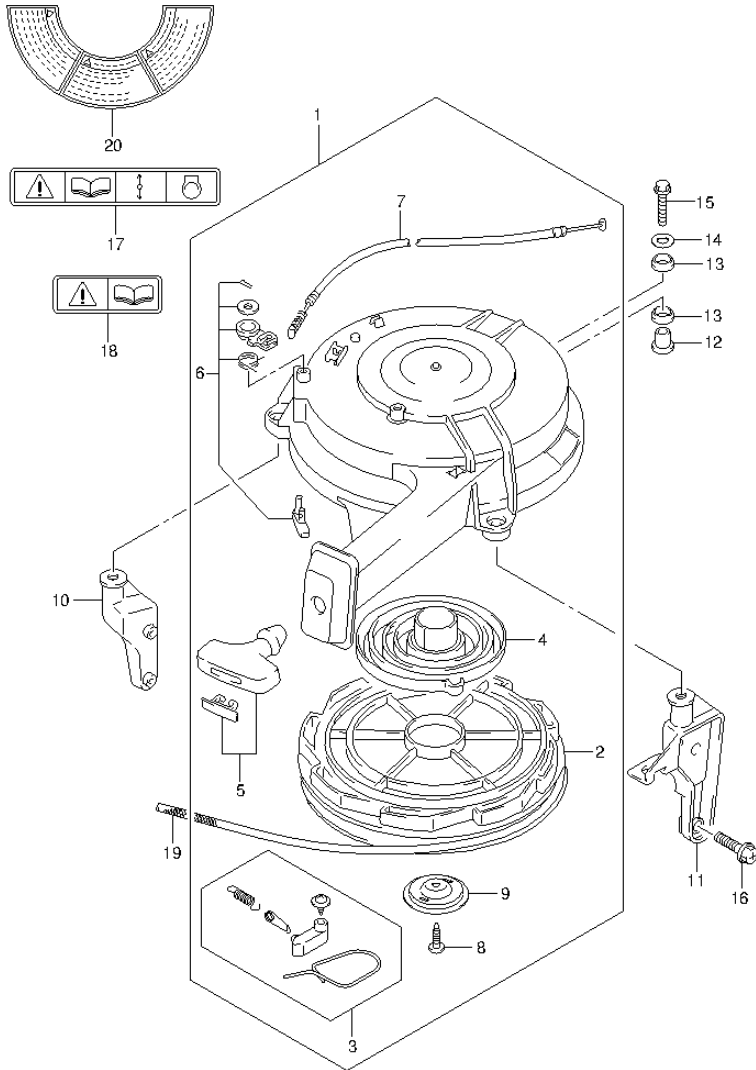


FIG.41 (1-D-15) RECOIL STARTER

REF NO.	PART NO.	DESCRIPTION	Q'TY	REMARKS
1	18100-92L00	STARTER ASSY, RECOIL	1	
2	18120-96320	.REEL	1	
3	18130-91L00	.RATCHET SET	1	
4	18142-96300	.SPRING, SPIRAL	1	
5	18210-93002	.GRIP	1	
6	18280-96320	.NSI SET	1	
7	18290-92L00	.CABLE, NSI	1	
8	18132-89L00	.BOLT	1	
9	18151-96310	.PLATE, FRICTION	1	
10	18711-92L10	BRACE, STBD	1	
11	18721-92L10	BRACE, PORT	1	
12	09180-08169	SPACER (8.6X12X17)	3	
13	09320-12059	CUSHION	6	
14	09160-08124	WASHER (8.5X20X1.6)	3	
15	01550-08357	BOLT	3	
16	02162-06257	BOLT	4	
17	69711-93E10	LABEL, CAUTION	1	
18	69712-93E10	LABEL, CAUTION	1	
19	99000-81159-50M	ROPE (L:50000)	1	OPT L:50000->1750
20	61472-94J00	LABEL, RECOIL STARTER	1	

FIG.42

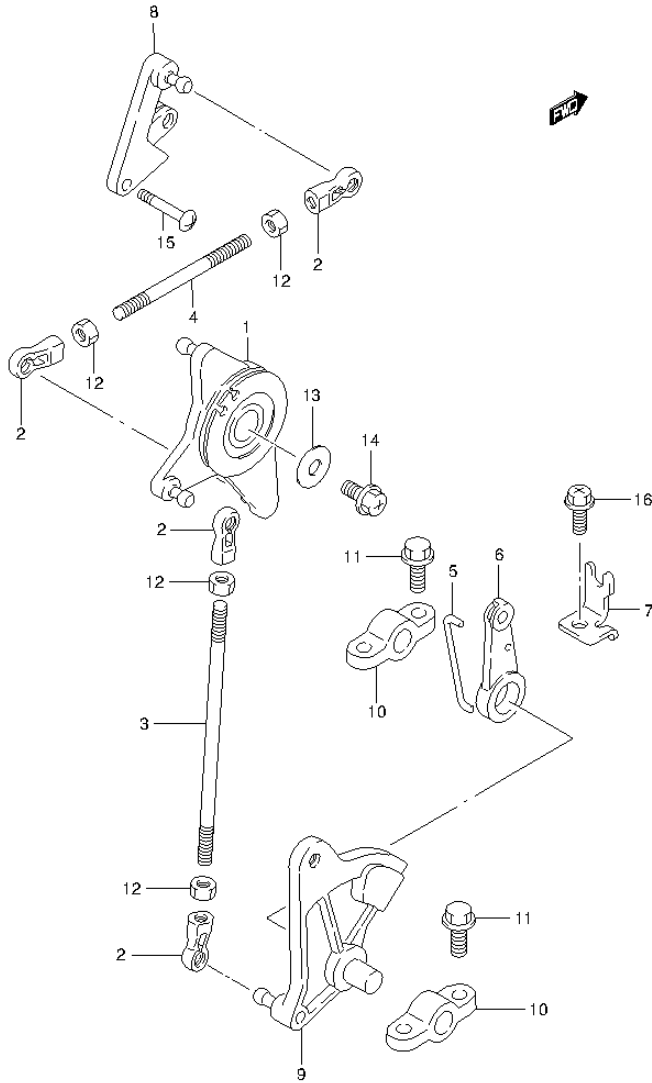


FIG.42 (1-E-2) THROTTLE CONTROL (DT40W P40)

REF NO.	PART NO.	DESCRIPTION	Q'TY	REMARKS
1	19121-94400	LEVER, THROTTLE CONTROL	1	
2	19131-95502	CONNECTOR	4	
3	19135-94400	ROD (LEVER TO LIMITER)	1	
4	19136-95510	ROD, THROTTLE	1	
5	19654-94421	ROD (CLUTCH TO NSI LEVER)	1	
6	19851-94401	LEVER, NSI	1	
7	19861-92L00	STAY, NSI CABLE	1	
8	19522-94400	LEVER, THROTTLE	1	
9	19811-94400	LIMITER, THROTTLE	1	
10	19815-94400	HOLDER, THROTTLE LIMITER	2	
11	09103-06048	BOLT (6X20)	4	
12	09140-05005	NUT	4	
13	09160-06084	WASHER (6.5X18X1.6)	1	
14	02162-06127	SCREW	1	
15	02142-05307	SCREW	1	
16	02162-06127	SCREW	1	

FIG.43

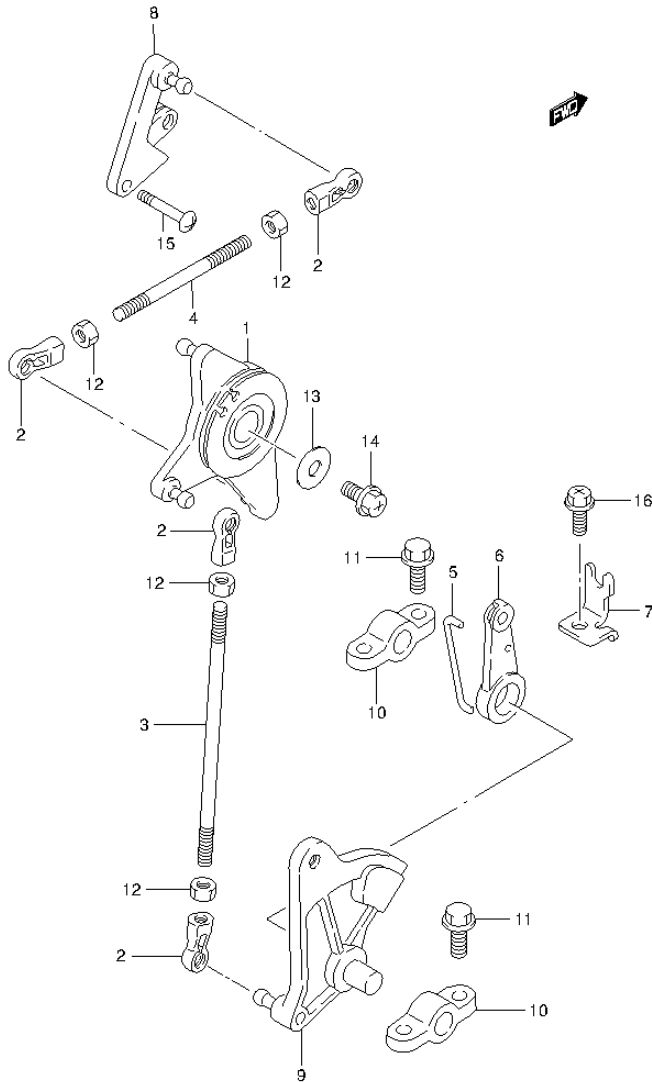


FIG.43 (1-E-3) THROTTLE CONTROL (DT40W P90)

REF NO.	PART NO.	DESCRIPTION	Q'TY	REMARKS
1	19121-94400	LEVER, THROTTLE CONTROL	1	
2	19131-95502	CONNECTOR	4	
3	19135-94400	ROD (LEVER TO LIMITER)	1	
4	19136-95510	ROD, THROTTLE	1	
5	19654-94421	ROD (CLUTCH TO NSI LEVER)	1	
6	19851-94401	LEVER, NSI	1	
7	19861-92L00	STAY, NSI CABLE	1	
8	19522-94400	LEVER, THROTTLE	1	
9	19811-94400	LIMITER, THROTTLE	1	
10	19815-94400	HOLDER, THROTTLE LIMITER	2	
11	09103-06048	BOLT (6X20)	4	
12	09140-05005	NUT	4	
13	09160-06084	WASHER (6.5X18X1.6)	1	
14	02162-06127	SCREW	1	
15	02142-05307	SCREW	1	
16	02162-06127	SCREW	1	

FIG.44

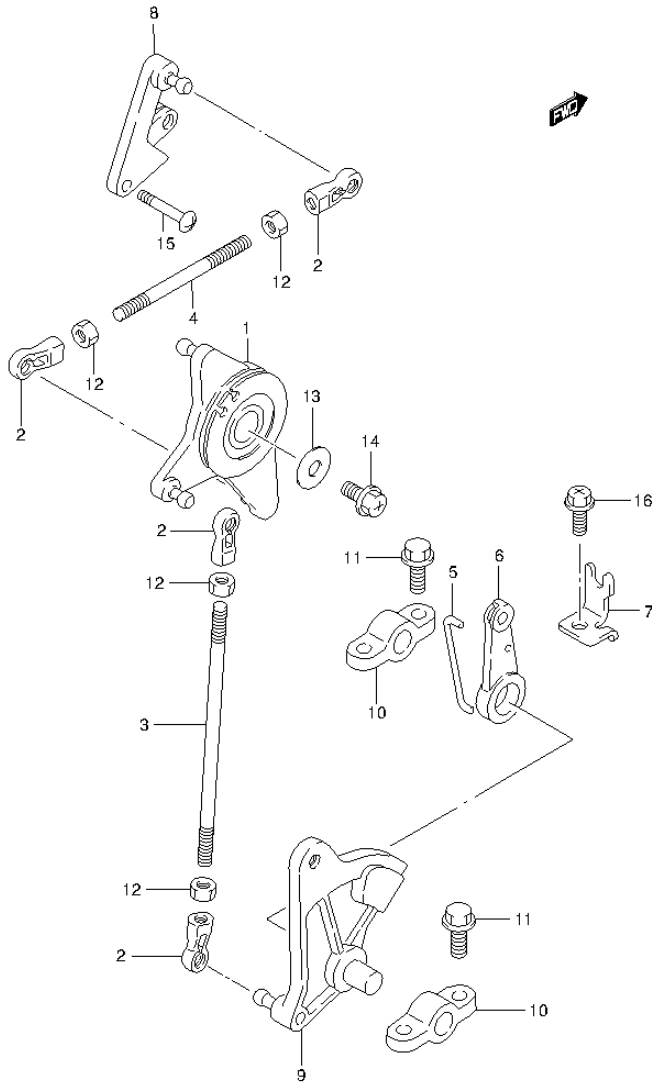


FIG.44 (1-E-4) THROTTLE CONTROL (DT40WR P40)

REF NO.	PART NO.	DESCRIPTION	Q'TY	REMARKS
1	19121-94400	LEVER, THROTTLE CONTROL	1	
2	19131-95502	CONNECTOR	4	
3	19135-94400	ROD (LEVER TO LIMITER)	1	
4	19136-95510	ROD, THROTTLE	1	
5	19654-94421	ROD (CLUTCH TO NSI LEVER)	1	
6	19851-94401	LEVER, NSI	1	
7	19861-92L00	STAY, NSI CABLE	1	
8	19522-94400	LEVER, THROTTLE	1	
9	19811-94400	LIMITER, THROTTLE	1	
10	19815-94400	HOLDER, THROTTLE LIMITER	2	
11	09103-06048	BOLT (6X20)	4	
12	09140-05005	NUT	4	
13	09160-06084	WASHER (6.5X18X1.6)	1	
14	02162-06127	SCREW	1	
15	02142-05307	SCREW	1	
16	02162-06127	SCREW	1	

FIG.45

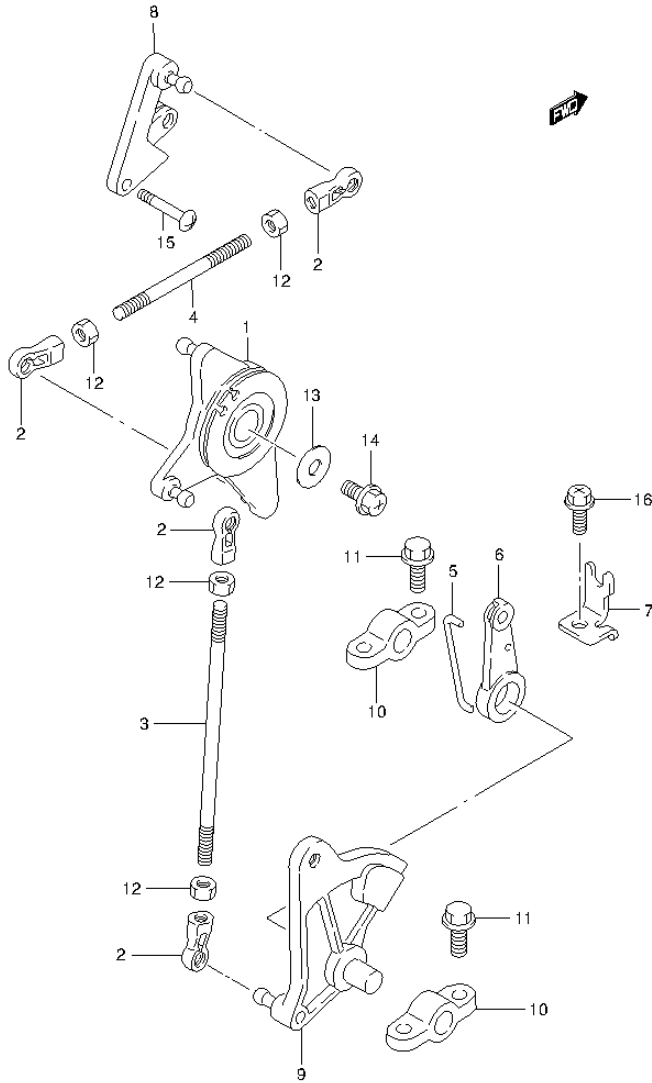


FIG.45 (1-E-5) THROTTLE CONTROL (DT40WR P90)

REF NO.	PART NO.	DESCRIPTION	Q'TY	REMARKS
1	19121-94400	LEVER, THROTTLE CONTROL	1	
2	19131-95502	CONNECTOR	4	
3	19135-94400	ROD (LEVER TO LIMITER)	1	
4	19136-95510	ROD, THROTTLE	1	
5	19654-94421	ROD (CLUTCH TO NSI LEVER)	1	
6	19851-94401	LEVER, NSI	1	
7	19861-92L00	STAY, NSI CABLE	1	
8	19522-94400	LEVER, THROTTLE	1	
9	19811-94400	LIMITER, THROTTLE	1	
10	19815-94400	HOLDER, THROTTLE LIMITER	2	
11	09103-06048	BOLT (6X20)	4	
12	09140-05005	NUT	4	
13	09160-06084	WASHER (6.5X18X1.6)	1	
14	02162-06127	SCREW	1	
15	02142-05307	SCREW	1	
16	02162-06127	SCREW	1	

FIG.46

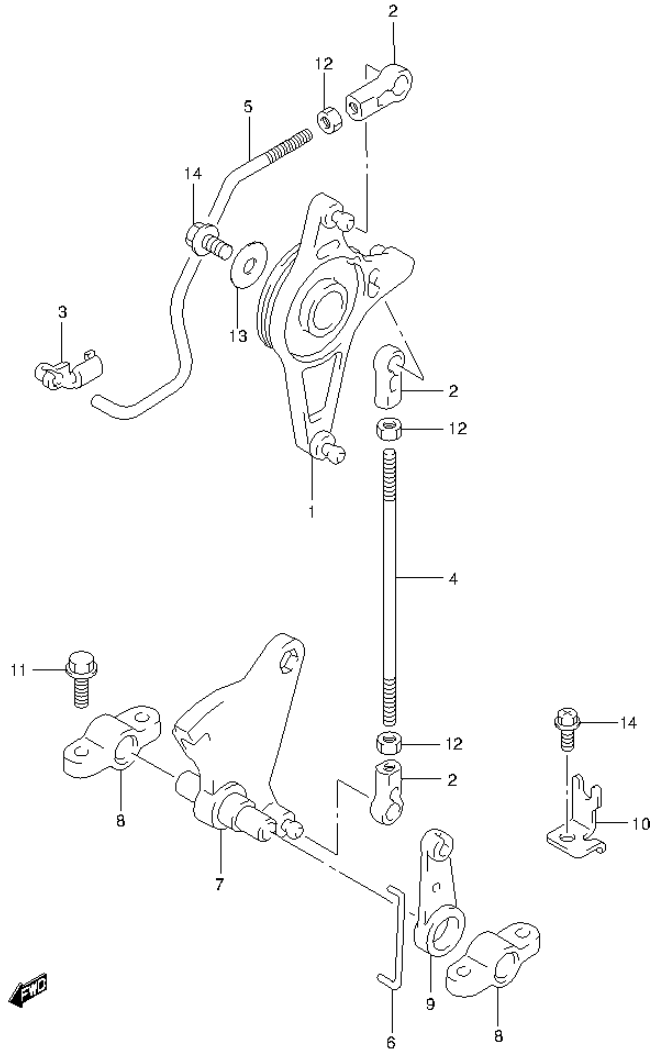


FIG.46 (1-E-6) THROTTLE CONTROL (DT40WK P40)

REF NO.	PART NO.	DESCRIPTION	Q'TY	REMARKS
1	19121-94400	LEVER, THROTTLE CONTROL	1	
2	19131-95502	CONNECTOR	3	
3	19132-96300	CONNECTOR, THROTTLE ROD	1	
4	19135-94400	ROD (LEVER TO LIMITER)	1	
5	19136-94451	ROD, THROTTLE	1	
6	19654-94421	ROD (CLUTCH TO NSI)	1	
7	19811-94400	LIMITER, THROTTLE	1	
8	19815-94400	HOLDER, THROTTLE LIMITER	2	
9	19851-94401	LEVER, NSI	1	
10	19861-92L00	STAY, NSI CABLE	1	
11	09103-06048	BOLT (6X20)	4	
12	09140-05005	NUT	3	
13	09160-06084	WASHER (6.5X18X1.6)	1	
14	02162-06127	SCREW	2	

FIG.47

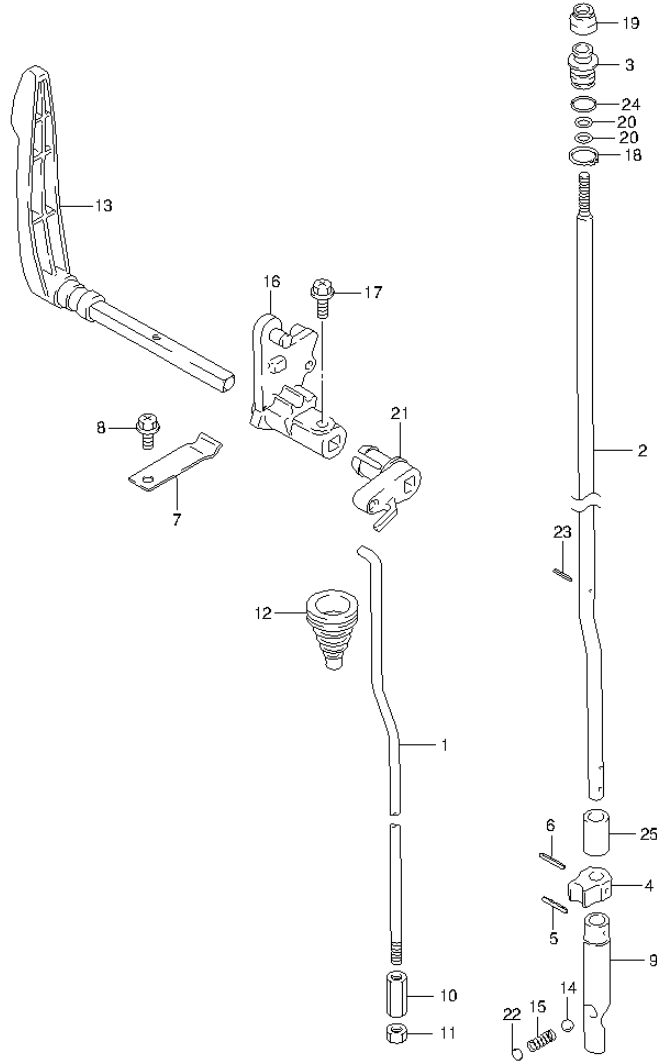


FIG.47 (1-E-7) CLUTCH (DT40W P40)

REF NO.	PART NO.	DESCRIPTION	Q'TY	REMARKS
1	23111-92L00	ROD, CLUTCH	1	
2-1	25111-92L50	ROD, SHIFT (S)	1	W/TRANSOM(S)
2-2	25111-92L60	ROD, SHIFT (L)	1	W/TRANSOM(L)
2-3	25111-92L70	ROD, SHIFT (L2)	1	W/TRANSOM(L2)
3	25211-92L00	GUIDE, SHIFT ROD	1	
4	25212-94401	GUIDE, SHIFT ROD LOWER	1	
5	09205-03021	SPRING PIN (3.5X12)	1	
6	09205-02013	SPRING PIN (2.5X16)	1	
7	23213-94400	SPRING, CLUTCH NOTCH	1	
8	02162-06127	SCREW	1	
9	25311-94402	CAM SHIFT	1	
10	23311-95JL0	CONNECTOR, CLUTCH ROD	1	
11	29141-93J00	NUT	1	
12	23131-94400	BOOT, CLUTCH	1	
13	21110-92L00	LEVER, CLUTCH	1	
14	09260-10005	BALL	1	
15	09440-07078	SPRING	1	
16	21121-94400	PLATE, CLUTCH	1	
17	02162-05167	SCREW	1	
18	08331-3115A	CIRCLIP	1	
19	25223-94400	SEAL, SHIFT ROD	1	
20	09280-08005	O RING (D:1.7,ID:7.7)	1	
21	23211-94401	ARM, CLUTCH ROD	1	
22	21121-93300	PLATE, CLUTCH NOTCH	1	
23	09205-02004	SPRING PIN (2.5X12)	1	
24	09280-11001	O RING (D:2.4,ID:10.8)	1	
25	25232-96302	MAGNET, GEAR CASE	1	

FIG.48

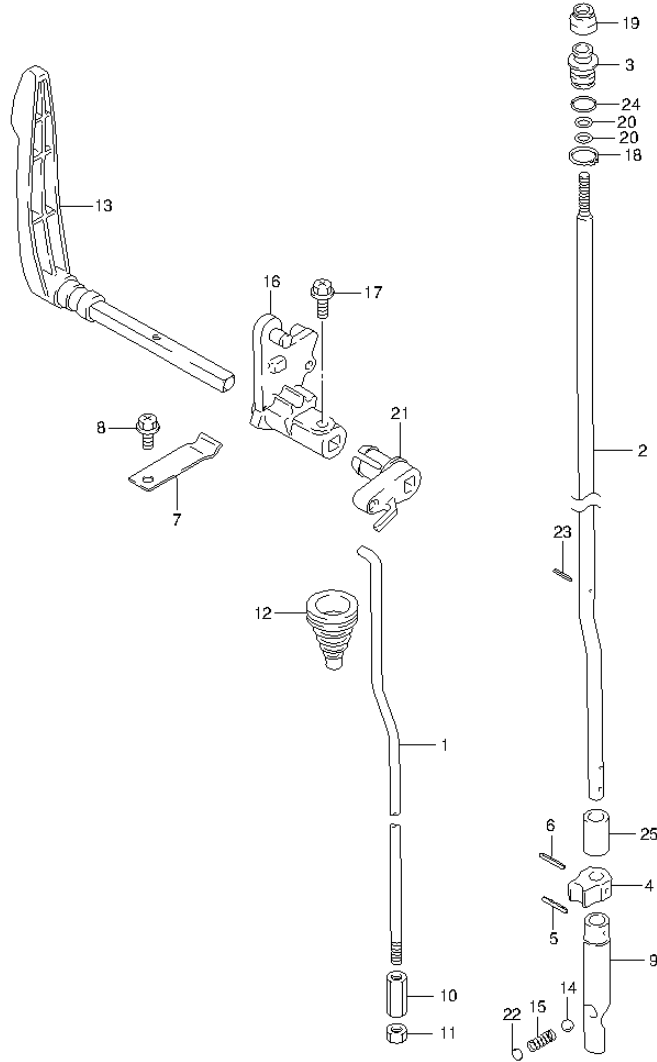


FIG.48 (1-E-8) CLUTCH (DT40W P90)

REF NO.	PART NO.	DESCRIPTION	Q'TY	REMARKS
1	23111-92L00	ROD, CLUTCH	1	
2	25111-92L50	ROD, SHIFT (S)	1	
3	25211-92L00	GUIDE, SHIFT ROD	1	
4	25212-94401	GUIDE, SHIFT ROD LOWER	1	
5	09205-03021	SPRING PIN (3.5X12)	1	
6	09205-02013	SPRING PIN (2.5X16)	1	
7	23213-94400	SPRING, CLUTCH NOTCH	1	
8	02162-06127	SCREW	1	
9	25311-94402	CAM SHIFT	1	
10	23311-95JL0	CONNECTOR, CLUTCH ROD	1	
11	29141-93J00	NUT	1	
12	23131-94400	BOOT, CLUTCH	1	
13	21110-92L00	LEVER, CLUTCH	1	
14	09260-10005	BALL	1	
15	09440-07078	SPRING	1	
16	21121-94400	PLATE, CLUTCH	1	
17	02162-05167	SCREW	1	
18	08331-3115A	CIRCLIP	1	
19	25223-94400	SEAL, SHIFT ROD	1	
20	09280-08005	O RING (D:1.7,ID:7.7)	1	
21	23211-94401	ARM, CLUTCH ROD	1	
22	21121-93300	PLATE, CLUTCH NOTCH	1	
23	09205-02004	SPRING PIN (2.5X12)	1	
24	09280-11001	O RING (D:2.4,ID:10.8)	1	
25	25232-96302	MAGNET, GEAR CASE	1	

FIG.49

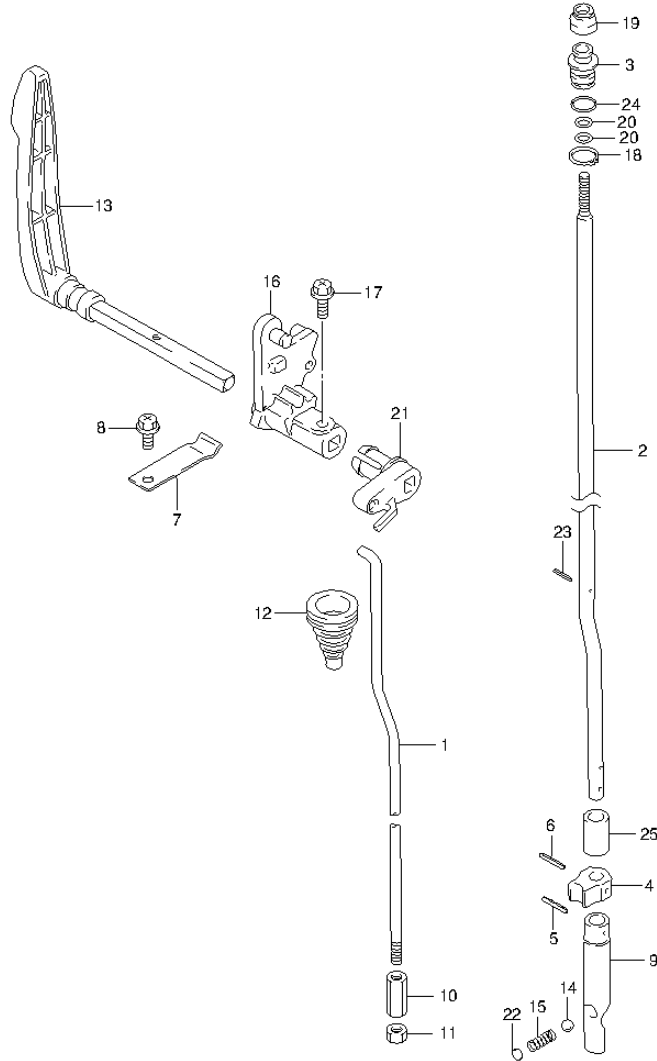


FIG.49 (1-E-9) CLUTCH (DT40WR P40)

REF NO.	PART NO.	DESCRIPTION	Q'TY	REMARKS
1	23111-92L00	ROD, CLUTCH	1	
2-1	25111-92L60	ROD, SHIFT (L)	1	W/TRANSOM(L)
2-2	25111-92L70	ROD, SHIFT (L2)	1	W/TRANSOM(L2)
3	25211-92L00	GUIDE, SHIFT ROD	1	
4	25212-94401	GUIDE, SHIFT ROD LOWER	1	
5	09205-03021	SPRING PIN (3.5X12)	1	
6	09205-02013	SPRING PIN (2.5X16)	1	
7	23213-94400	SPRING, CLUTCH NOTCH	1	
8	02162-06127	SCREW	1	
9	25311-94402	CAM SHIFT	1	
10	23311-95JL0	CONNECTOR, CLUTCH ROD	1	
11	29141-93J00	NUT	1	
12	23131-94400	BOOT, CLUTCH	1	
13	21110-92L00	LEVER, CLUTCH	1	
14	09260-10005	BALL	1	
15	09440-07078	SPRING	1	
16	21121-94400	PLATE, CLUTCH	1	
17	02162-05167	SCREW	1	
18	08331-3115A	CIRCLIP	1	
19	25223-94400	SEAL, SHIFT ROD	1	
20	09280-08005	O RING (D:1.7,ID:7.7)	1	
21	23211-94401	ARM, CLUTCH ROD	1	
22	21121-93300	PLATE, CLUTCH NOTCH	1	
23	09205-02004	SPRING PIN (2.5X12)	1	
24	09280-11001	O RING (D:2.4,ID:10.8)	1	
25	25232-96302	MAGNET, GEAR CASE	1	

FIG.50

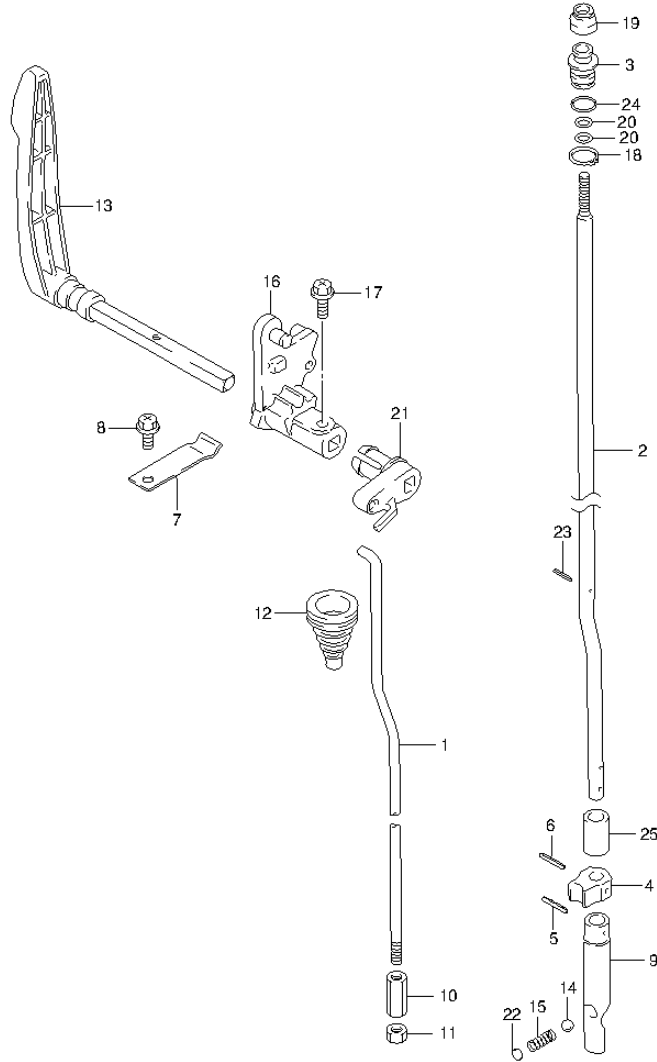


FIG.50 (1-E-10) CLUTCH (DT40WR P90)

REF NO.	PART NO.	DESCRIPTION	Q'TY	REMARKS
1	23111-92L00	ROD, CLUTCH	1	
2	25111-92L50	ROD, SHIFT (S)	1	
3	25211-92L00	GUIDE, SHIFT ROD	1	
4	25212-94401	GUIDE, SHIFT ROD LOWER	1	
5	09205-03021	SPRING PIN (3.5X12)	1	
6	09205-02013	SPRING PIN (2.5X16)	1	
7	23213-94400	SPRING, CLUTCH NOTCH	1	
8	02162-06127	SCREW	1	
9	25311-94402	CAM SHIFT	1	
10	23311-95JL0	CONNECTOR, CLUTCH ROD	1	
11	29141-93J00	NUT	1	
12	23131-94400	BOOT, CLUTCH	1	
13	21110-92L00	LEVER, CLUTCH	1	
14	09260-10005	BALL	1	
15	09440-07078	SPRING	1	
16	21121-94400	PLATE, CLUTCH	1	
17	02162-05167	SCREW	1	
18	08331-3115A	CIRCLIP	1	
19	25223-94400	SEAL, SHIFT ROD	1	
20	09280-08005	O RING (D:1.7,ID:7.7)	1	
21	23211-94401	ARM, CLUTCH ROD	1	
22	21121-93300	PLATE, CLUTCH NOTCH	1	
23	09205-02004	SPRING PIN (2.5X12)	1	
24	09280-11001	O RING (D:2.4,ID:10.8)	1	
25	25232-96302	MAGNET, GEAR CASE	1	

FIG.52

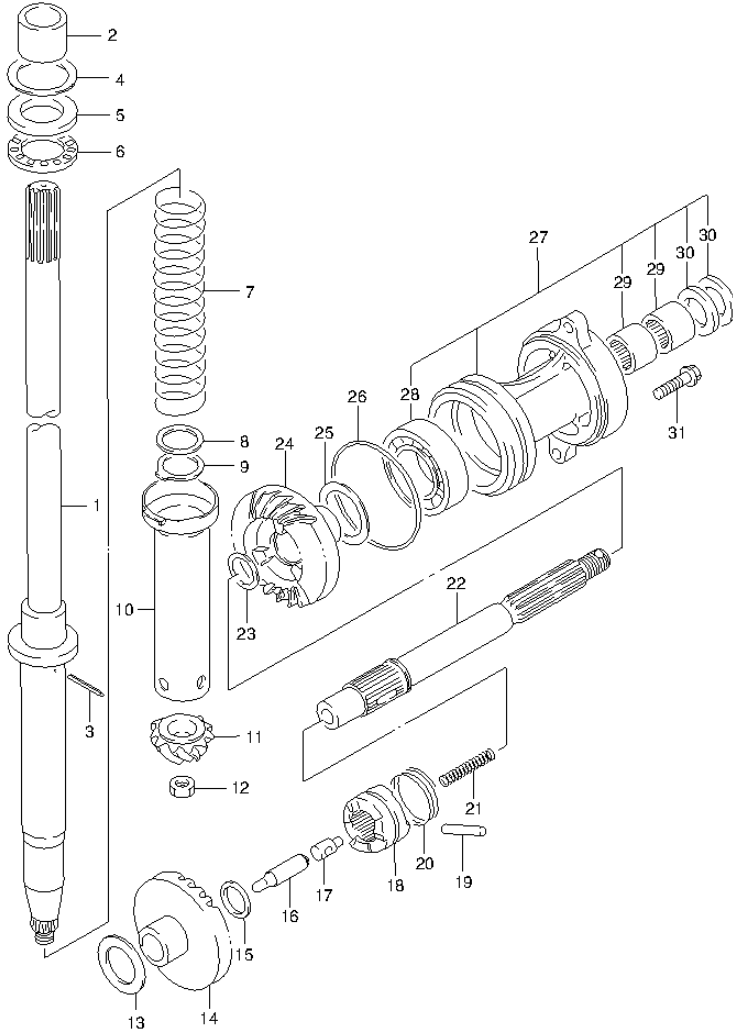


FIG.52 (1-E-12) TRANSMISSION (DT40W P40)

REF NO.	PART NO.	DESCRIPTION	Q'TY	REMARKS
1-1	57110-92L10	SHAFT, DRIVE (S)	1	W/TRANSOM(S)
1-2	57110-92L20	SHAFT, DRIVE (L)	1	W/TRANSOM(L)
1-3	57110-92L00	SHAFT, DRIVE (L2)	1	W/TRANSOM(L2)
2	57130-94301	BUSH, DRIVE SHAFT	1	W/TRANSOM(L) W/TRANSOM(L2)
3	09205-03019	SPRING PIN (3X10)	1	
4-1	09181-30186	SHIM (T:0.5)	AR	
4-2	09181-30187	SHIM (T:0.6)	AR	
4-3	09181-30188	SHIM (T:0.7)	AR	
4-4	09181-30190	SHIM (T:0.8)	AR	
4-5	09181-30192	SHIM (T:0.9)	AR	
5	09160-26015	WASHER (26.2X42X4)	1	
6	09263-25062	BEARING (25X42X5)	1	
7	09440-30005	SPRING	1	
8	09160-24020	WASHER (24X33X2.5)	1	
9	09166-25006	WASHER	1	
10	57133-92L00	HOUSING, DRIVE SHAFT SPRING	1	
11	57311-94402	PINION (NT:11)	1	
12	09140-12034	NUT	1	
13-1	09181-30186	SHIM (T:0.5)	AR	
13-2	09181-30187	SHIM (T:0.6)	AR	
13-3	09181-30188	SHIM (T:0.7)	AR	
13-4	09181-30190	SHIM (T:0.8)	AR	
13-5	09181-30192	SHIM (T:0.9)	AR	
14	57510-94402	GEAR, FORWARD (NT:23)	1	
15	08211-20263	THRUST WASHER	AR	
16	57631-95303	ROD, PUSH	1	
17	57634-88L00	PIN	1	
18	57621-92L10	SHIFTER, CLUTCH DOG	1	
19	09202-05022	PIN (5.5X38.5)	1	
20	09440-40002	SPRING	1	
21	09440-08043	SPRING	1	
22	57610-94402	SHAFT, PROPELLER	1	

FIG.52

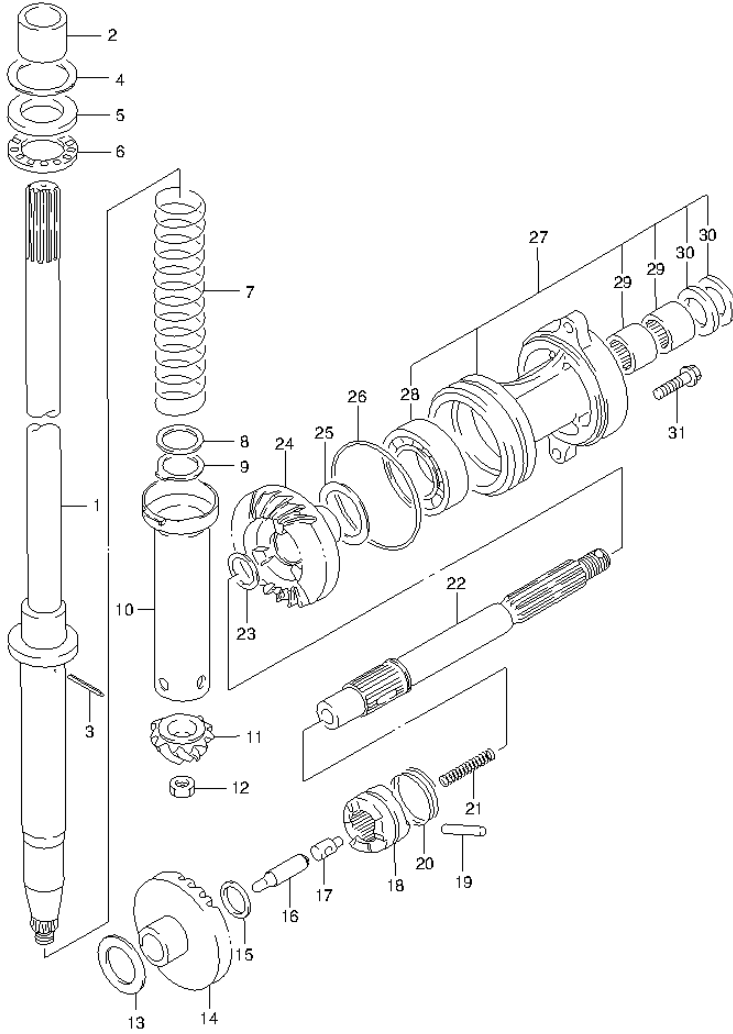


FIG.52 (1-E-13) TRANSMISSION (DT40W P40)

REF NO.	PART NO.	DESCRIPTION	Q'TY	REMARKS
23-1	09160-22018	WASHER (T:1.8)	AR	
23-2	09160-22019	WASHER (T:1.9)	AR	
23-3	09160-22020	WASHER (T:2.0)	AR	
23-4	09160-22021	WASHER (T:2.1)	AR	
23-5	09160-22022	WASHER (T:2.2)	AR	
23-6	09160-22023	WASHER (T:2.3)	AR	
24	57521-94401	GEAR, REVERSE (NT:23)	1	
25-1	08221-35455	SHIM (T:0.5)	AR	
25-2	09181-35131	SHIM (T:0.6)	AR	
25-3	09181-35132	SHIM (T:0.7)	AR	
25-4	08221-35456	SHIM (T:0.8)	AR	
25-5	09181-35136	SHIM (T:0.9)	AR	
25-6	08211-35451	WASHER (T:1.0)	AR	
26	09280-75001	O RING (D:3.3, ID:75)	1	
27	56120-92L10-0EP	HOUSING, PROPELLER SHAFT BRG (BLACK)	1	
28	09262-35070	.BEARING (35X62X14)	1	
29	09263-22L02	.BEARING (22.2X28.5X19)	1	
30	09289-22L01	.OIL SEAL (22X35X5)	2	
31	09116-08151	BOLT (8X30)	2	

FIG.53

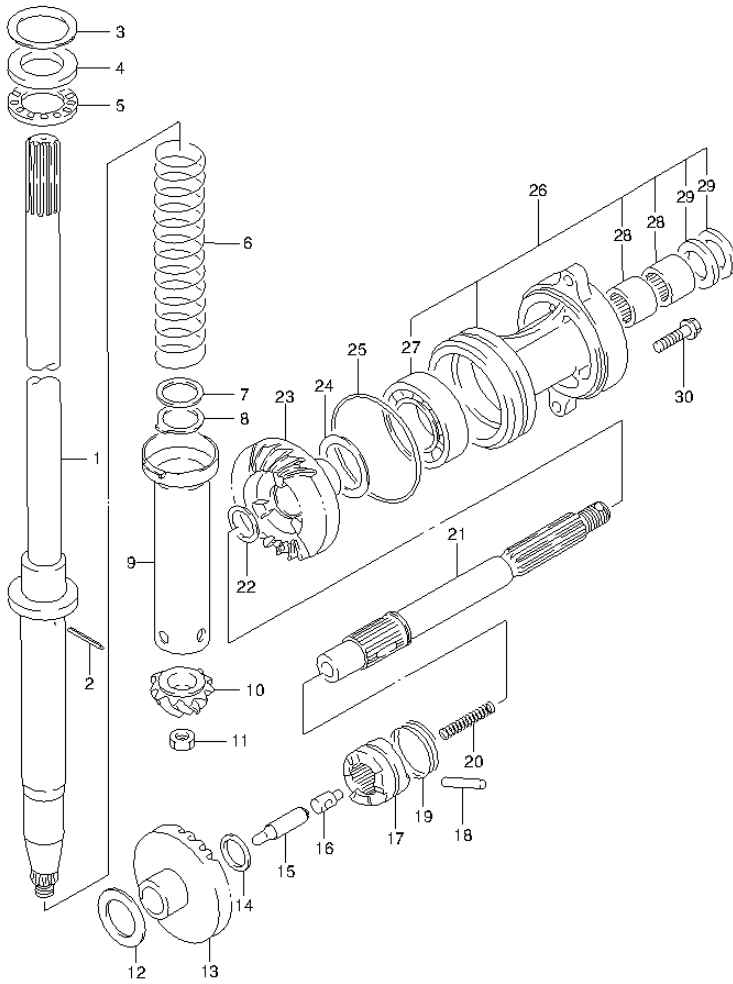


FIG.53 (1-E-14) TRANSMISSION (DT40W P90)

REF NO.	PART NO.	DESCRIPTION	Q'TY	REMARKS
1	57110-92L10	SHAFT, DRIVE (S)	1	
2	09205-03019	SPRING PIN (3X10)	1	
3-1	09181-30186	SHIM (T:0.5)	AR	
3-2	09181-30187	SHIM (T:0.6)	AR	
3-3	09181-30188	SHIM (T:0.7)	AR	
3-4	09181-30190	SHIM (T:0.8)	AR	
3-5	09181-30192	SHIM (T:0.9)	AR	
4	09160-26015	WASHER (26.2X42X4)	1	
5	09263-25062	BEARING (25X42X5)	1	
6	09440-30005	SPRING	1	
7	09160-24020	WASHER (24X33X2.5)	1	
8	09166-25006	WASHER	1	
9	57133-92L00	HOUSING, DRIVE SHAFT SPRING	1	
10	57311-94402	PINION (NT:11)	1	
11	09140-12034	NUT	1	
12-1	09181-30186	SHIM (T:0.5)	AR	
12-2	09181-30187	SHIM (T:0.6)	AR	
12-3	09181-30188	SHIM (T:0.7)	AR	
12-4	09181-30190	SHIM (T:0.8)	AR	
12-5	09181-30192	SHIM (T:0.9)	AR	
13	57510-94402	GEAR, FORWARD (NT:23)	1	
14	08211-20263	THRUST WASHER	AR	
15	57631-95303	ROD, PUSH	1	
16	57634-88L00	PIN	1	
17	57621-92L10	SHIFTER, CLUTCH DOG	1	
18	09202-05022	PIN (5.5X38.5)	1	
19	09440-40002	SPRING	1	
20	09440-08043	SPRING	1	
21	57610-94402	SHAFT, PROPELLER	1	

FIG.53

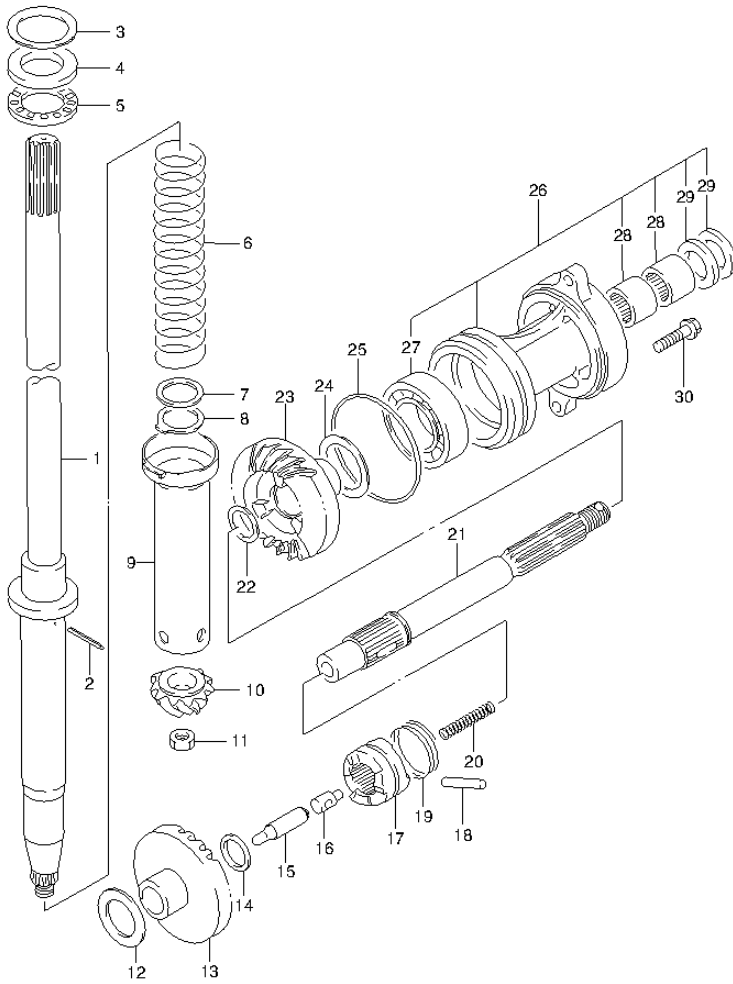


FIG.53 (1-E-15) TRANSMISSION (DT40W P90)

REF NO.	PART NO.	DESCRIPTION	Q'TY	REMARKS
22-1	09160-22018	WASHER (T:1.8)	AR	
22-2	09160-22019	WASHER (T:1.9)	AR	
22-3	09160-22020	WASHER (T:2.0)	AR	
22-4	09160-22021	WASHER (T:2.1)	AR	
22-5	09160-22022	WASHER (T:2.2)	AR	
22-6	09160-22023	WASHER (T:2.3)	AR	
23	57521-94401	GEAR, REVERSE (NT:23)	1	
24-1	08221-35455	SHIM (T:0.5)	AR	
24-2	09181-35131	SHIM (T:0.6)	AR	
24-3	09181-35132	SHIM (T:0.7)	AR	
24-4	08221-35456	SHIM (T:0.8)	AR	
24-5	09181-35136	SHIM (T:0.9)	AR	
24-6	08211-35451	WASHER (T:1.0)	AR	
25	09280-75001	O RING (D:3.3,ID:75)	1	
26	56120-92L10-OEP	HOUSING, PROPELLER SHAFT BRG (BLACK)	1	
27	09262-35070	.BEARING (35X62X14)	1	
28	09263-22L02	.BEARING (22.2X28.5X19)	1	
29	09289-22L01	.OIL SEAL (22X35X5)	2	
30	09116-08151	BOLT (8X30)	2	

FIG.54

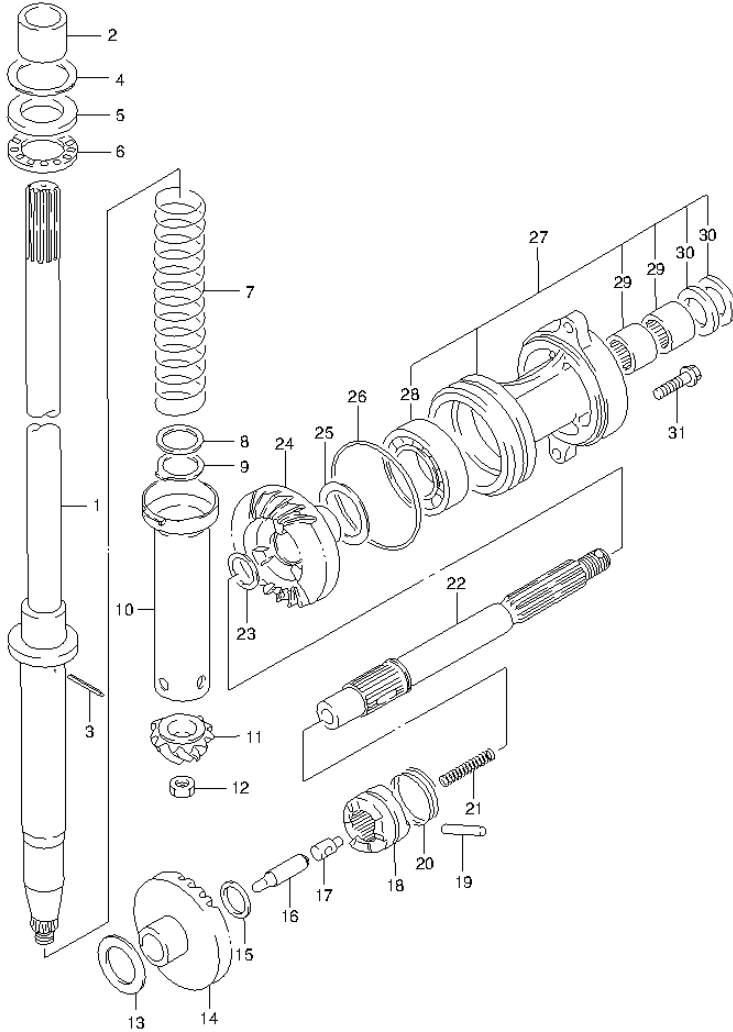


FIG.54 (1-F-2) TRANSMISSION (DT40WR P40)

REF NO.	PART NO.	DESCRIPTION	Q'TY	REMARKS
1-1	57110-92L20	SHAFT, DRIVE (L)	1	W/TRANSOM(L)
1-2	57110-92L00	SHAFT, DRIVE (L2)	1	W/TRANSOM(L2)
2	57130-94301	BUSH, DRIVE SHAFT	1	W/TRANSOM(L) W/TRANSOM(L2)
3	09205-03019	SPRING PIN (3X10)	1	
4-1	09181-30186	SHIM (T:0.5)	AR	
4-2	09181-30187	SHIM (T:0.6)	AR	
4-3	09181-30188	SHIM (T:0.7)	AR	
4-4	09181-30190	SHIM (T:0.8)	AR	
4-5	09181-30192	SHIM (T:0.9)	AR	
5	09160-26015	WASHER (26.2X42X4)	1	
6	09263-25062	BEARING (25X42X5)	1	
7	09440-30005	SPRING	1	
8	09160-24020	WASHER (24X33X2.5)	1	
9	09166-25006	WASHER	1	
10	57133-92L00	HOUSING, DRIVE SHAFT SPRING	1	
11	57311-94402	PINION (NT:11)	1	
12	09140-12034	NUT	1	
13-1	09181-30186	SHIM (T:0.5)	AR	
13-2	09181-30187	SHIM (T:0.6)	AR	
13-3	09181-30188	SHIM (T:0.7)	AR	
13-4	09181-30190	SHIM (T:0.8)	AR	
13-5	09181-30192	SHIM (T:0.9)	AR	
14	57510-94402	GEAR, FORWARD (NT:23)	1	
15	08211-20263	THRUST WASHER	AR	
16	57631-95303	ROD, PUSH	1	
17	57634-88L00	PIN	1	
18	57621-92L10	SHIFTER, CLUTCH DOG	1	
19	09202-05022	PIN (5.5X38.5)	1	
20	09440-40002	SPRING	1	
21	09440-08043	SPRING	1	
22	57610-94402	SHAFT, PROPELLER	1	

FIG.54

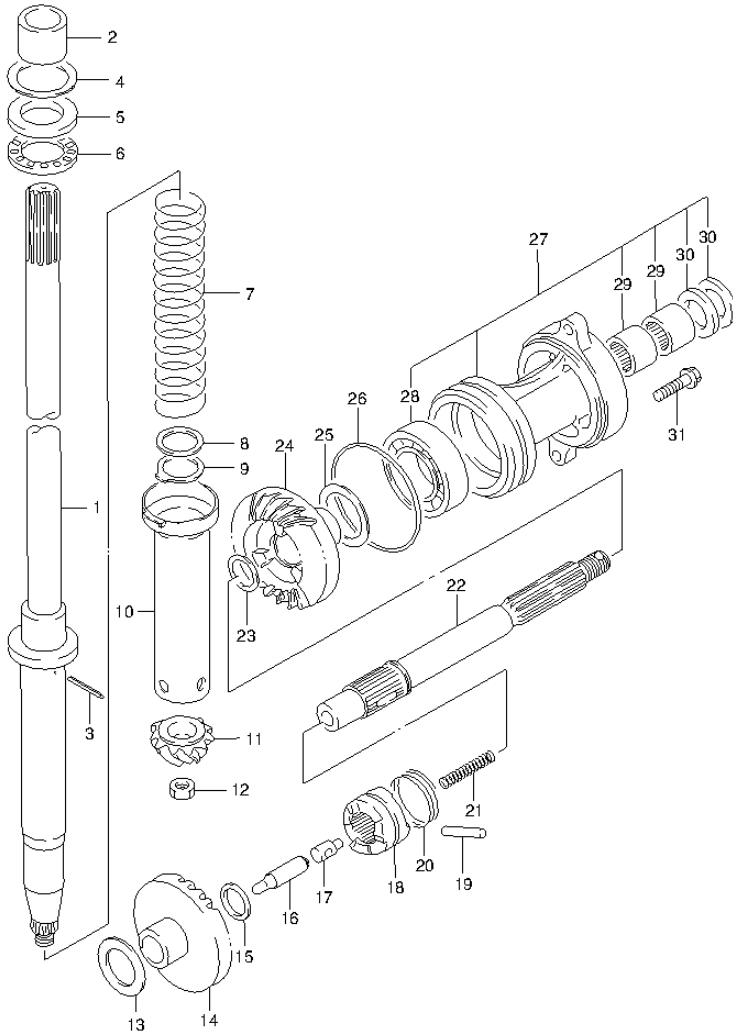


FIG.54 (1-F-3) TRANSMISSION (DT40WR P40)

REF NO.	PART NO.	DESCRIPTION	Q'TY	REMARKS
23-1	09160-22018	WASHER (T:1.8)	AR	
23-2	09160-22019	WASHER (T:1.9)	AR	
23-3	09160-22020	WASHER (T:2.0)	AR	
23-4	09160-22021	WASHER (T:2.1)	AR	
23-5	09160-22022	WASHER (T:2.2)	AR	
23-6	09160-22023	WASHER (T:2.3)	AR	
24	57521-94401	GEAR, REVERSE (NT:23)	1	
25-1	08221-35455	SHIM (T:0.5)	AR	
25-2	09181-35131	SHIM (T:0.6)	AR	
25-3	09181-35132	SHIM (T:0.7)	AR	
25-4	08221-35456	SHIM (T:0.8)	AR	
25-5	09181-35136	SHIM (T:0.9)	AR	
25-6	08211-35451	WASHER (T:1.0)	AR	
26	09280-75001	O RING (D:3.3, ID:75)	1	
27	56120-92L10-0EP	HOUSING, PROPELLER SHAFT BRG (BLACK)	1	
28	09262-35070	.BEARING (35X62X14)	1	
29	09263-22L02	.BEARING (22.2X28.5X19)	1	
30	09289-22L01	.OIL SEAL (22X35X5)	2	
31	09116-08151	BOLT (8X30)	2	

FIG.55

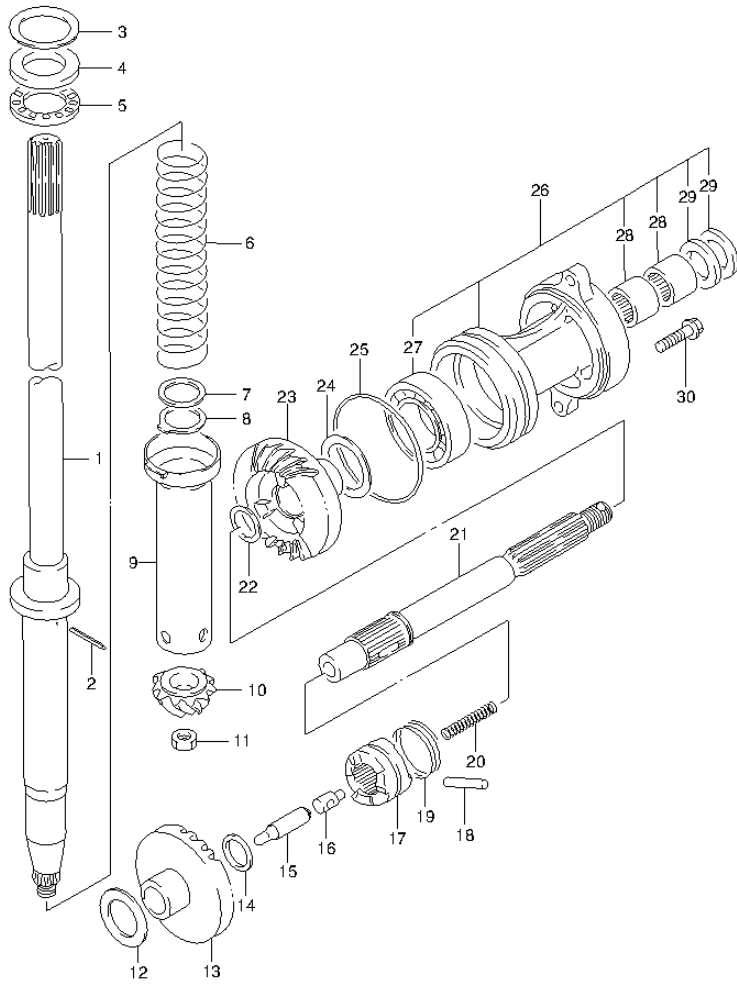


FIG.55 (1-F-4) TRANSMISSION (DT40WR P90)

REF NO.	PART NO.	DESCRIPTION	Q'TY	REMARKS
1	57110-92L10	SHAFT, DRIVE (S)	1	
2	09205-03019	SPRING PIN (3X10)	1	
3-1	09181-30186	SHIM (T:0.5)	AR	
3-2	09181-30187	SHIM (T:0.6)	AR	
3-3	09181-30188	SHIM (T:0.7)	AR	
3-4	09181-30190	SHIM (T:0.8)	AR	
3-5	09181-30192	SHIM (T:0.9)	AR	
4	09160-26015	WASHER (26.2X42X4)	1	
5	09263-25062	BEARING (25X42X5)	1	
6	09440-30005	SPRING	1	
7	09160-24020	WASHER (24X33X2.5)	1	
8	09166-25006	WASHER	1	
9	57133-92L00	HOUSING, DRIVE SHAFT SPRING	1	
10	57311-94402	PINION (NT:11)	1	
11	09140-12034	NUT	1	
12-1	09181-30186	SHIM (T:0.5)	AR	
12-2	09181-30187	SHIM (T:0.6)	AR	
12-3	09181-30188	SHIM (T:0.7)	AR	
12-4	09181-30190	SHIM (T:0.8)	AR	
12-5	09181-30192	SHIM (T:0.9)	AR	
13	57510-94402	GEAR, FORWARD (NT:23)	1	
14	08211-20263	THRUST WASHER	AR	
15	57631-95303	ROD, PUSH	1	
16	57634-88L00	PIN	1	
17	57621-92L10	SHIFTER, CLUTCH DOG	1	
18	09202-05022	PIN (5.5X38.5)	1	
19	09440-40002	SPRING	1	
20	09440-08043	SPRING	1	
21	57610-94402	SHAFT, PROPELLER	1	

FIG.55

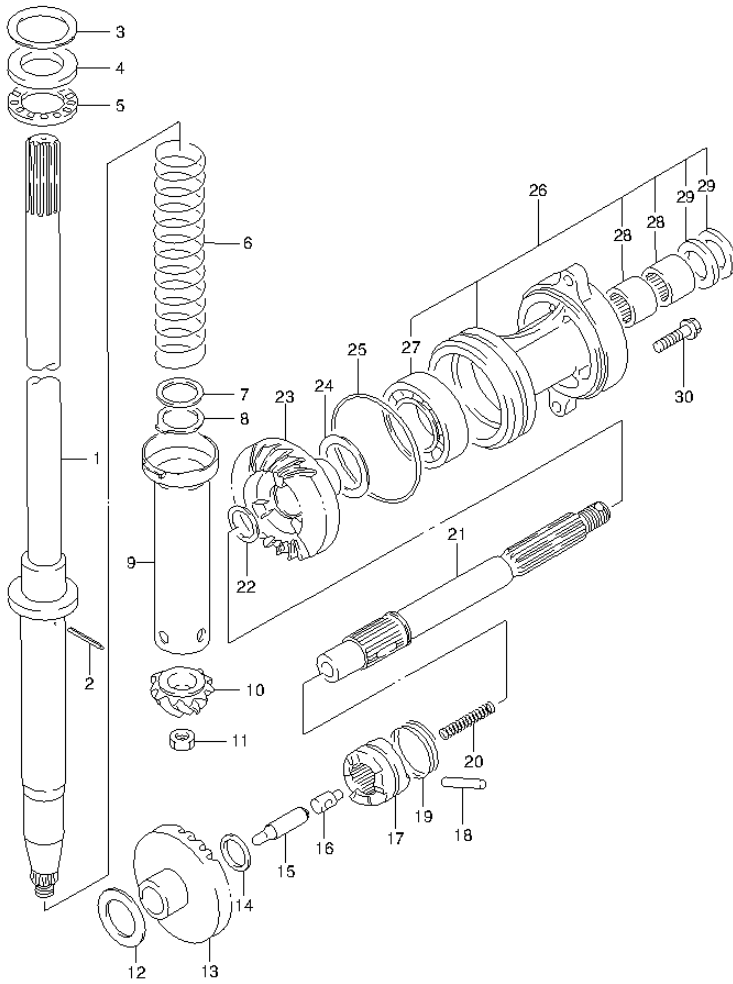


FIG.55 (1-F-5) TRANSMISSION (DT40WR P90)

REF NO.	PART NO.	DESCRIPTION	Q'TY	REMARKS
22-1	09160-22018	WASHER (T:1.8)	AR	
22-2	09160-22019	WASHER (T:1.9)	AR	
22-3	09160-22020	WASHER (T:2.0)	AR	
22-4	09160-22021	WASHER (T:2.1)	AR	
22-5	09160-22022	WASHER (T:2.2)	AR	
22-6	09160-22023	WASHER (T:2.3)	AR	
23	57521-94401	GEAR, REVERSE (NT:23)	1	
24-1	08221-35455	SHIM (T:0.5)	AR	
24-2	09181-35131	SHIM (T:0.6)	AR	
24-3	09181-35132	SHIM (T:0.7)	AR	
24-4	08221-35456	SHIM (T:0.8)	AR	
24-5	09181-35136	SHIM (T:0.9)	AR	
24-6	08211-35451	WASHER (T:1.0)	AR	
25	09280-75001	O RING (D:3.3,ID:75)	1	
26	56120-92L10-OEP	HOUSING, PROPELLER SHAFT BRG (BLACK)	1	
27	09262-35070	.BEARING (35X62X14)	1	
28	09263-22L02	.BEARING (22.2X28.5X19)	1	
29	09289-22L01	.OIL SEAL (22X35X5)	2	
30	09116-08151	BOLT (8X30)	2	

FIG.56

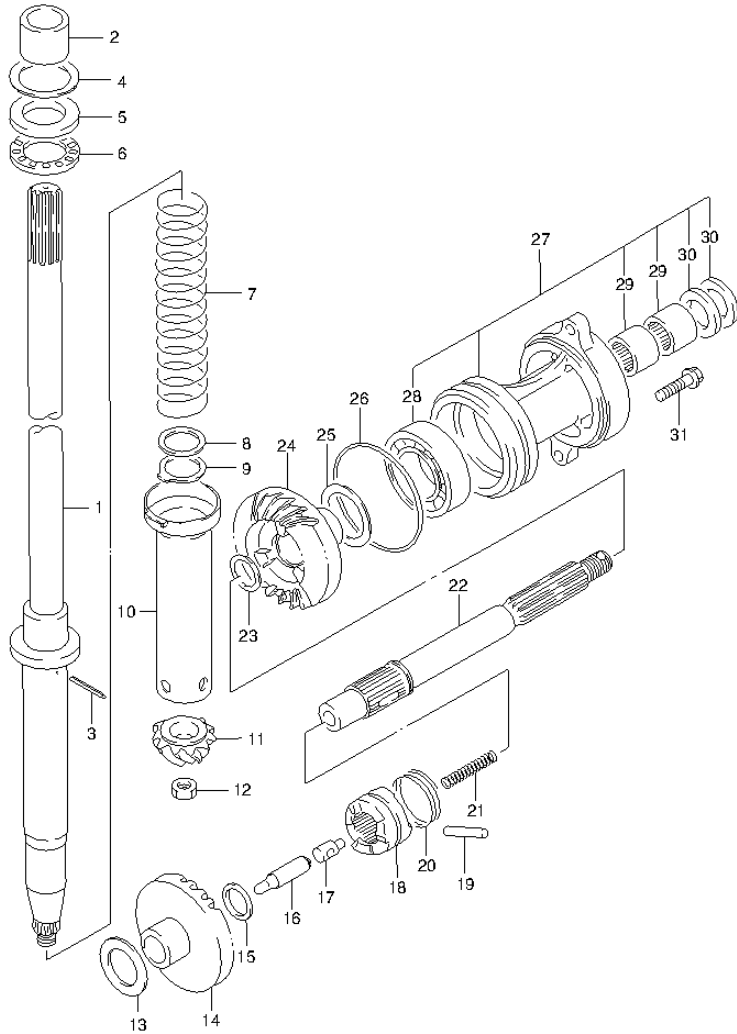


FIG.56 (1-F-6) TRANSMISSION (DT40WK P40)

REF NO.	PART NO.	DESCRIPTION	Q'TY	REMARKS
1-1	57110-92L10	SHAFT, DRIVE (S)	1	W/TRANSOM(S)
1-2	57110-92L20	SHAFT, DRIVE (L)	1	W/TRANSOM(L)
1-3	57110-92L00	SHAFT, DRIVE (L2)	1	W/TRANSOM(L2)
2	57130-94301	BUSH, DRIVE SHAFT	1	W/TRANSOM(L) W/TRANSOM(L2)
3	09205-03019	SPRING PIN (3X10)	1	
4-1	09181-30186	SHIM (T:0.5)	AR	
4-2	09181-30187	SHIM (T:0.6)	AR	
4-3	09181-30188	SHIM (T:0.7)	AR	
4-4	09181-30190	SHIM (T:0.8)	AR	
4-5	09181-30192	SHIM (T:0.9)	AR	
5	09160-26015	WASHER (26.2X42X4)	1	
6	09263-25062	BEARING (25X42X5)	1	
7	09440-30005	SPRING	1	
8	09160-24020	WASHER (24X33X2.5)	1	
9	09166-25006	WASHER	1	
10	57133-92L00	HOUSING, DRIVE SHAFT SPRING	1	
11	57311-94402	PINION (NT:11)	1	
12	09140-12034	NUT	1	
13-1	09181-30186	SHIM (T:0.5)	AR	
13-2	09181-30187	SHIM (T:0.6)	AR	
13-3	09181-30188	SHIM (T:0.7)	AR	
13-4	09181-30190	SHIM (T:0.8)	AR	
13-5	09181-30192	SHIM (T:0.9)	AR	
14	57510-94402	GEAR, FORWARD (NT:23)	1	
15	08211-20263	THRUST WASHER	AR	
16	57631-95303	ROD, PUSH	1	
17	57634-88L00	PIN	1	
18	57621-92L10	SHIFTER, CLUTCH DOG	1	
19	09202-05022	PIN (5.5X38.5)	1	
20	09440-40002	SPRING	1	
21	09440-08043	SPRING	1	
22	57610-94402	SHAFT, PROPELLER	1	

FIG.56

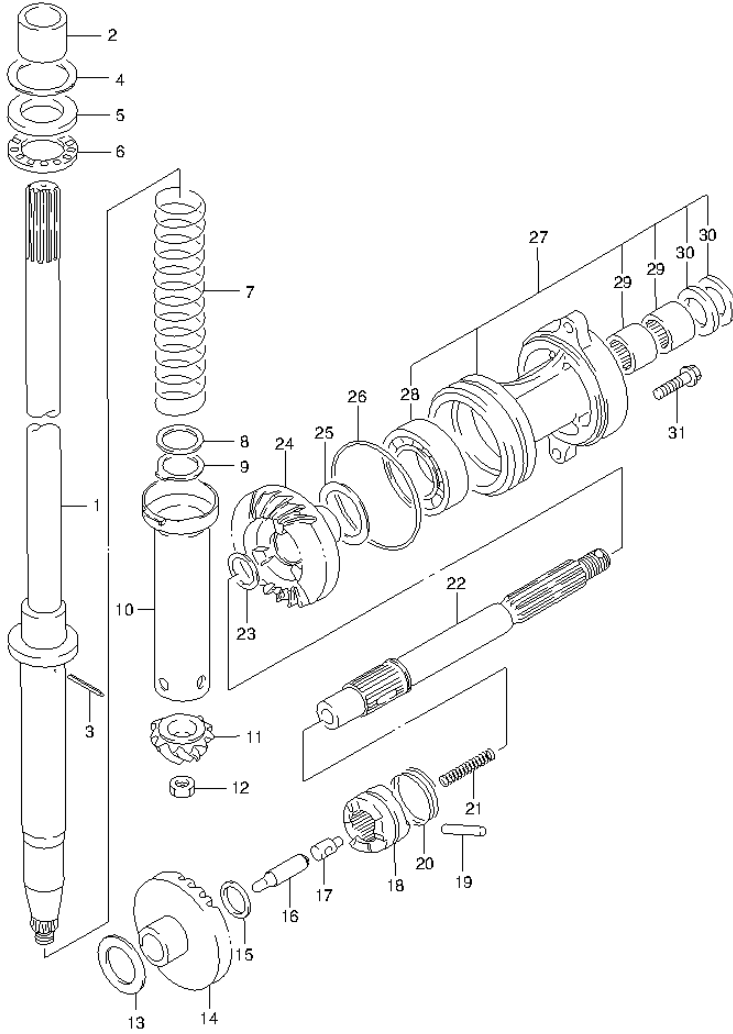
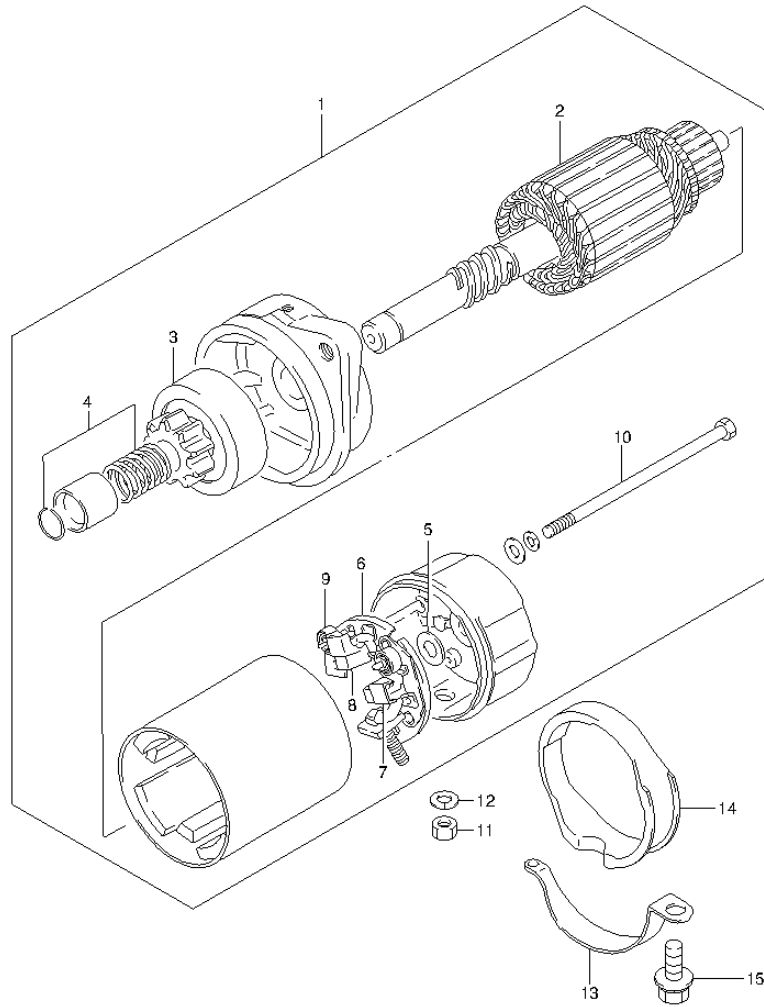


FIG.56 (1-F-7) TRANSMISSION (DT40WK P40)

REF NO.	PART NO.	DESCRIPTION	Q'TY	REMARKS
23-1	09160-22018	WASHER (T:1.8)	AR	
23-2	09160-22019	WASHER (T:1.9)	AR	
23-3	09160-22020	WASHER (T:2.0)	AR	
23-4	09160-22021	WASHER (T:2.1)	AR	
23-5	09160-22022	WASHER (T:2.2)	AR	
23-6	09160-22023	WASHER (T:2.3)	AR	
24	57521-94401	GEAR, REVERSE (NT:23)	1	
25-1	08221-35455	SHIM (T:0.5)	AR	
25-2	09181-35131	SHIM (T:0.6)	AR	
25-3	09181-35132	SHIM (T:0.7)	AR	
25-4	08221-35456	SHIM (T:0.8)	AR	
25-5	09181-35136	SHIM (T:0.9)	AR	
25-6	08211-35451	WASHER (T:1.0)	AR	
26	09280-75001	O RING (D:3.3, ID:75)	1	
27	56120-92L10-0EP	HOUSING, PROPELLER SHAFT BRG (BLACK)	1	
28	09262-35070	.BEARING (35X62X14)	1	
29	09263-22L02	.BEARING (22.2X28.5X19)	1	
30	09289-22L01	.OIL SEAL (22X35X5)	2	
31	09116-08151	BOLT (8X30)	2	

FIG.57

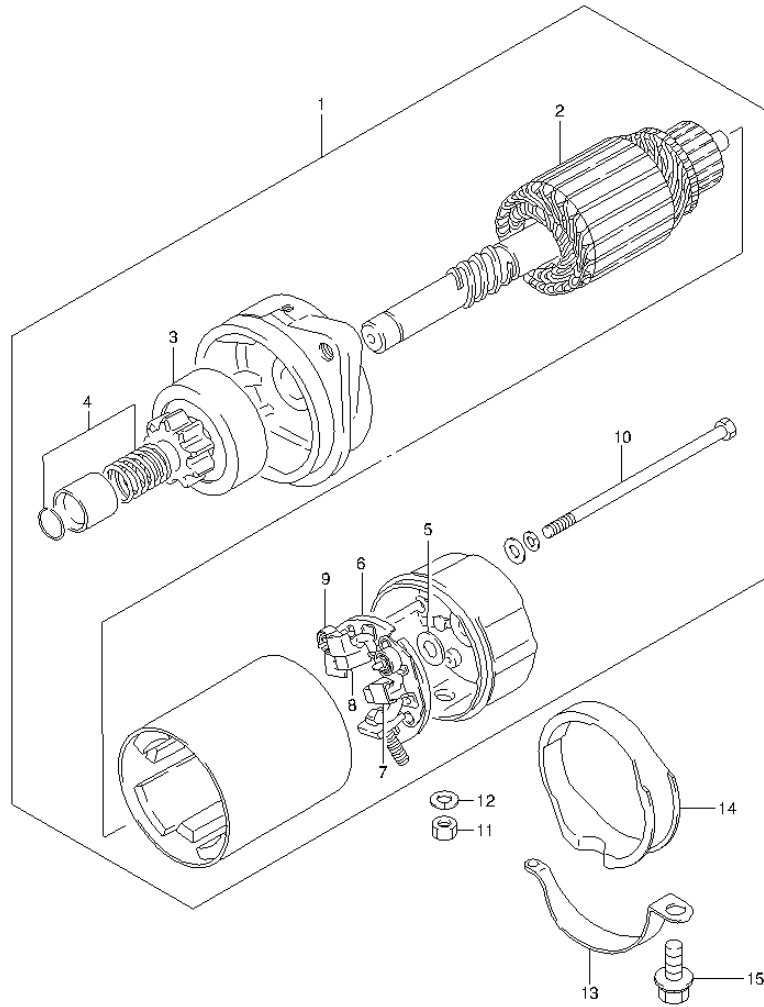
FIG.57 (1-F-8) STARTING MOTOR (DT40W P40)



REF NO.	PART NO.	DESCRIPTION	Q'TY	REMARKS
1	31100-94401	MOTOR ASSY, STARTING	1	
2	31310-96300	.ARMATURE	1	
3	31320-94400	.PINION ASSY	1	
4	31312-96300	.STOPPER SET, PINION	1	
5	31360-96300	.WASHER	1	
6	31173-89J00	.HOLDER ASSY, BRUSH	1	
7	31131-96300	..BRUSH (+)	1	
8	31132-96300	..BRUSH (-)	1	
9	31135-89J00	..SPRING, BRUSH	2	
10	31281-93340	.BOLT	2	
11	08310-00067	NUT	1	
12	08321-01067	LOCK WASHER	1	
13	31912-92L00	BAND, STARTING MOTOR	1	
14	31918-94401	DAMPER, LOWER	1	
15	01580-08257	BOLT	2	

FIG.58

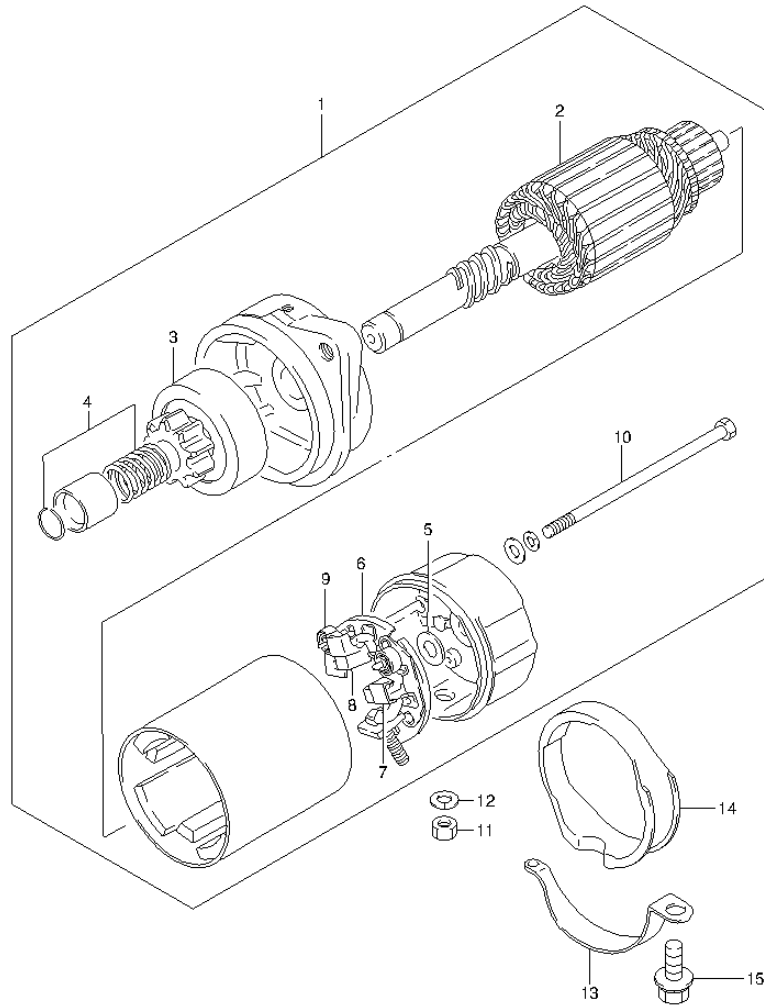
FIG.58 (1-F-9) STARTING MOTOR (DT40WR P40)



REF NO.	PART NO.	DESCRIPTION	Q'TY	REMARKS
1	31100-94401	MOTOR ASSY, STARTING	1	
2	31310-96300	.ARMATURE	1	
3	31320-94400	.PINION ASSY	1	
4	31312-96300	.STOPPER SET, PINION	1	
5	31360-96300	.WASHER	1	
6	31173-89J00	.HOLDER ASSY, BRUSH	1	
7	31131-96300	..BRUSH (+)	1	
8	31132-96300	..BRUSH (-)	1	
9	31135-89J00	..SPRING, BRUSH	2	
10	31281-93340	.BOLT	2	
11	08310-00067	NUT	1	
12	08321-01067	LOCK WASHER	1	
13	31912-92L00	BAND, STARTING MOTOR	1	
14	31918-94401	DAMPER, LOWER	1	
15	01580-08257	BOLT	2	

FIG.59

FIG.59 (1-F-10) STARTING MOTOR (DT40WR P90)



REF NO.	PART NO.	DESCRIPTION	Q'TY	REMARKS
1	31100-94401	MOTOR ASSY, STARTING	1	
2	31310-96300	.ARMATURE	1	
3	31320-94400	.PINION ASSY	1	
4	31312-96300	.STOPPER SET, PINION	1	
5	31360-96300	.WASHER	1	
6	31173-89J00	.HOLDER ASSY, BRUSH	1	
7	31131-96300	..BRUSH (+)	1	
8	31132-96300	..BRUSH (-)	1	
9	31135-89J00	..SPRING, BRUSH	2	
10	31281-93340	.BOLT	2	
11	08310-00067	NUT	1	
12	08321-01067	LOCK WASHER	1	
13	31912-92L00	BAND, STARTING MOTOR	1	
14	31918-94401	DAMPER, LOWER	1	
15	01580-08257	BOLT	2	

FIG.60

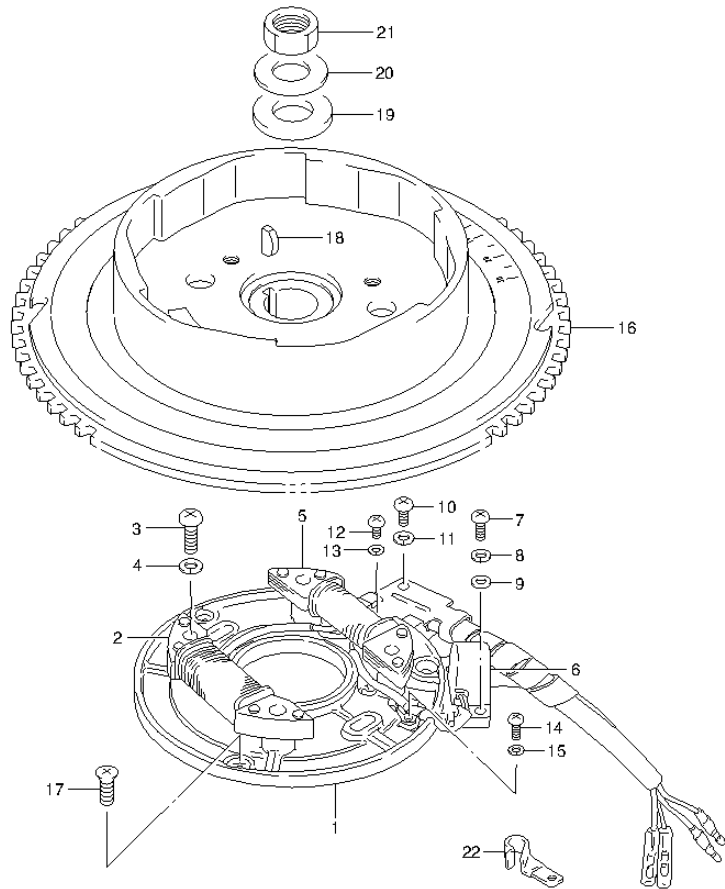


FIG.60 (1-F-11) MAGNETO (DT40W P40)

REF NO.	PART NO.	DESCRIPTION	Q'TY	REMARKS
1-1	32101-94430	STATOR ASSY	1	W/ELECTRIC STARTER
1-2	32101-92L00	STATOR ASSY	1	W/MANUAL STARTER
2	32120-94420	COIL, LIGHTING	1	
3	02112-06257	SCREW	4	
4	08321-01067	LOCK WASHER	4	
5	32140-94400	COIL, IGNITION PRIMARY	1	
6	32150-94410	SENSOR, IGNITION TIMING	1	
7	02112-05107	SCREW	2	
8	08322-01057	WASHER	2	
9	08321-0105A	LOCK WASHER	2	
10	02112-05107	SCREW	1	
11	08321-0105A	LOCK WASHER	1	
12	02112-04087	SCREW	1	
13	08321-01047	LOCK WASHER	1	
14	02112-0406A	SCREW	2	
15	08321-01047	LOCK WASHER	2	
16-1	32102-92L00	FLYWHEEL	1	W/ELECTRIC STARTER
16-2	32102-92L10	FLYWHEEL	1	W/MANUAL STARTER
17	09138-05011	SCREW (5X14)	2	
18	08341-31059	KEY	1	
19	09160-18042	WASHER (18X35X4)	1	
20	09164-18001	WASHER	1	
21	09140-18014	NUT	1	
22	09403-10312	CLAMP	1	

FIG.61

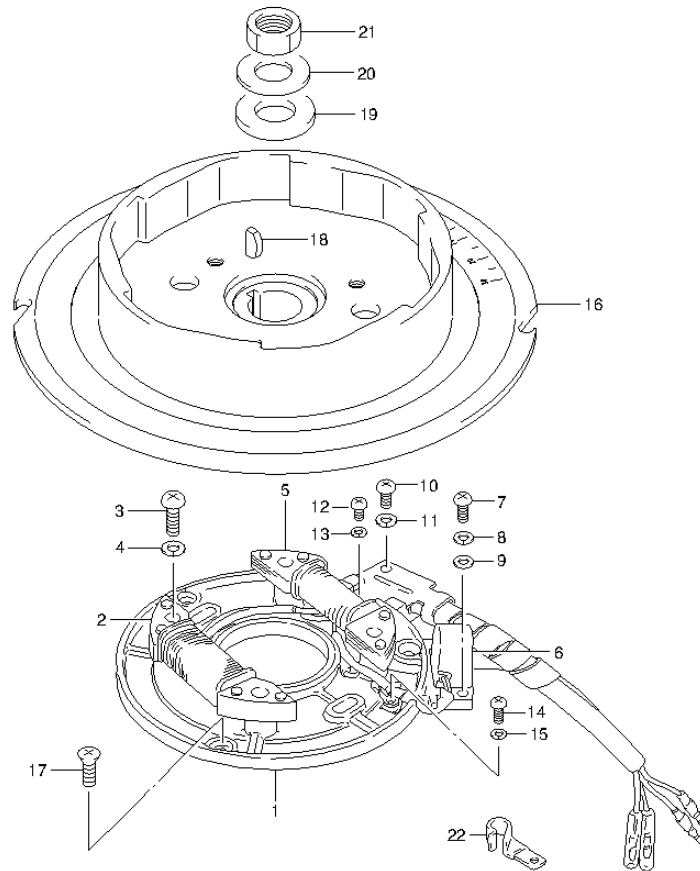


FIG.61 (1-F-12) MAGNETO (DT40W P90)

REF NO.	PART NO.	DESCRIPTION	Q'TY	REMARKS
1	32101-92L00	STATOR ASSY	1	
2	32120-94420	COIL, LIGHTING	1	
3	02112-06257	SCREW	4	
4	08321-01067	LOCK WASHER	4	
5	32140-94400	COIL, IGNITION PRIMARY	1	
6	32150-94410	SENSOR, IGNITION TIMING	1	
7	02112-05107	SCREW	2	
8	08322-01057	WASHER	2	
9	08321-0105A	LOCK WASHER	2	
10	02112-05107	SCREW	1	
11	08321-0105A	LOCK WASHER	1	
12	02112-04087	SCREW	1	
13	08321-01047	LOCK WASHER	1	
14	02112-0406A	SCREW	2	
15	08321-01047	LOCK WASHER	2	
16	32102-92L10	FLYWHEEL	1	
17	09138-05011	SCREW (5X14)	2	
18	08341-31059	KEY	1	
19	09160-18042	WASHER (18X35X4)	1	
20	09164-18001	WASHER	1	
21	09140-18014	NUT	1	
22	09403-10312	CLAMP	1	

FIG.62

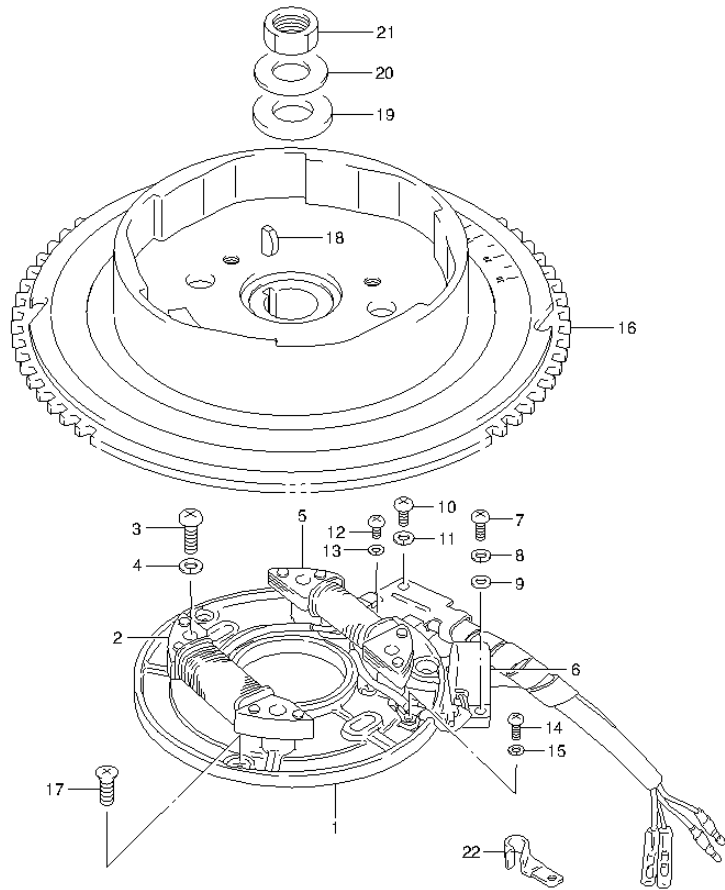


FIG.62 (1-F-13) MAGNETO (DT40WR P40)

REF NO.	PART NO.	DESCRIPTION	Q'TY	REMARKS
1	32101-94430	STATOR ASSY	1	
2	32120-94420	COIL, LIGHTING	1	
3	02112-06257	SCREW	4	
4	08321-01067	LOCK WASHER	4	
5	32140-94400	COIL, IGNITION PRIMARY	1	
6	32150-94410	SENSOR, IGNITION TIMING	1	
7	02112-05107	SCREW	2	
8	08322-01057	WASHER	2	
9	08321-0105A	LOCK WASHER	2	
10	02112-05107	SCREW	1	
11	08321-0105A	LOCK WASHER	1	
12	02112-04087	SCREW	1	
13	08321-01047	LOCK WASHER	1	
14	02112-0406A	SCREW	2	
15	08321-01047	LOCK WASHER	2	
16	32102-92L00	FLYWHEEL	1	
17	09138-05011	SCREW (5X14)	2	
18	08341-31059	KEY	1	
19	09160-18042	WASHER (18X35X4)	1	
20	09164-18001	WASHER	1	
21	09140-18014	NUT	1	
22	09403-10312	CLAMP	1	

FIG.63

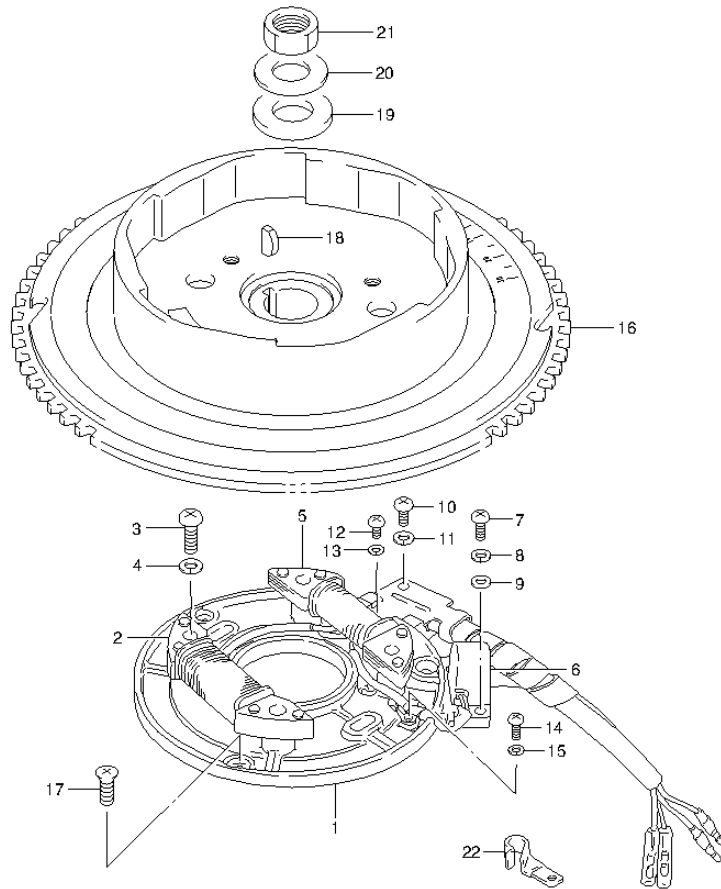


FIG.63 (1-F-14) MAGNETO (DT40WR P90)

REF NO.	PART NO.	DESCRIPTION	Q'TY	REMARKS
1	32101-94430	STATOR ASSY	1	
2	32120-94420	COIL, LIGHTING	1	
3	02112-06257	SCREW	4	
4	08321-01067	LOCK WASHER	4	
5	32140-94400	COIL, IGNITION PRIMARY	1	
6	32150-94410	SENSOR, IGNITION TIMING	1	
7	02112-05107	SCREW	2	
8	08322-01057	WASHER	2	
9	08321-0105A	LOCK WASHER	2	
10	02112-05107	SCREW	1	
11	08321-0105A	LOCK WASHER	1	
12	02112-04087	SCREW	1	
13	08321-01047	LOCK WASHER	1	
14	02112-0406A	SCREW	2	
15	08321-01047	LOCK WASHER	2	
16	32102-92L00	FLYWHEEL	1	
17	09138-05011	SCREW (5X14)	2	
18	08341-31059	KEY	1	
19	09160-18042	WASHER (18X35X4)	1	
20	09164-18001	WASHER	1	
21	09140-18014	NUT	1	
22	09403-10312	CLAMP	1	

FIG.64

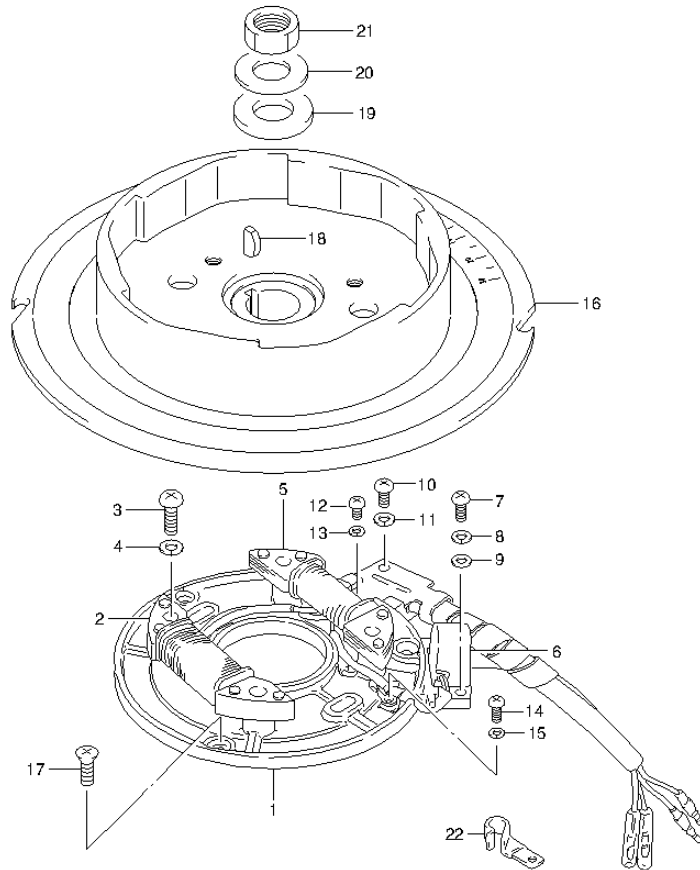


FIG.64 (1-F-15) MAGNETO (DT40WK P40)

REF NO.	PART NO.	DESCRIPTION	Q'TY	REMARKS
1	32101-92L00	STATOR ASSY	1	
2	32120-94420	COIL, LIGHTING	1	
3	02112-06257	SCREW	4	
4	08321-01067	LOCK WASHER	4	
5	32140-94400	COIL, IGNITION PRIMARY	1	
6	32150-94410	SENSOR, IGNITION TIMING	1	
7	02112-05107	SCREW	2	
8	08322-01057	WASHER	2	
9	08321-0105A	LOCK WASHER	2	
10	02112-05107	SCREW	1	
11	08321-0105A	LOCK WASHER	1	
12	02112-04087	SCREW	1	
13	08321-01047	LOCK WASHER	1	
14	02112-0406A	SCREW	2	
15	08321-01047	LOCK WASHER	2	
16	32102-92L20	FLYWHEEL	1	
17	09138-05011	SCREW (5X14)	2	
18	08341-31059	KEY	1	
19	09160-18042	WASHER (18X35X4)	1	
20	09164-18001	WASHER	1	
21	09140-18014	NUT	1	
22	09403-10312	CLAMP	1	

FIG.65

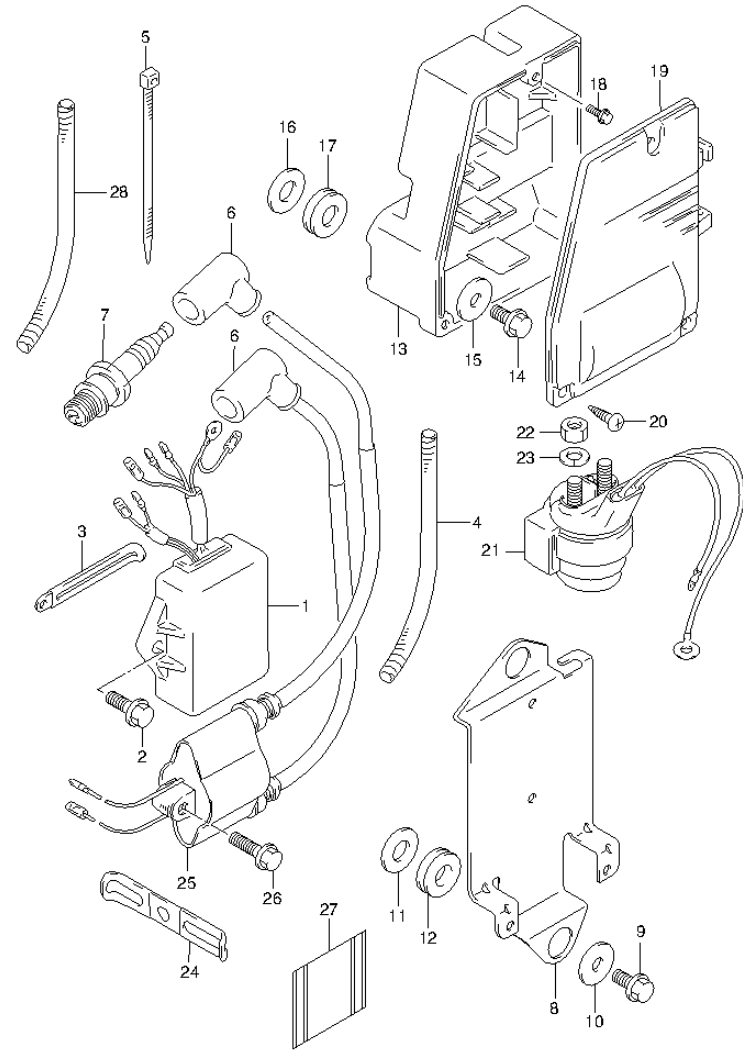


FIG.65 (1-G-2) IGNITION (DT40W P40)

REF NO.	PART NO.	DESCRIPTION	Q'TY	REMARKS
1	32900-92L00	CDI UNIT	1	
2	01550-06127	BOLT	2	
3	29404-93J10	CLAMP	1	
4	33833-91J00	TUBE	1	L:250->100
5	09407-10404	CLAMP (L:100)	2	
6	33510-95520	CAP, SPARK PLUG	2	
7	09482-00370	SPARK PLUG (NGK, BR8HS-10)	2	
8	32950-92L00	HOLDER, CDI/CONTROL UNIT	1	
9	01550-06127	BOLT	2	
10	09160-06084	WASHER (6.5X18X1.6)	2	
11	09160-12007	WASHER (12.5X26X1.6)	2	
12	09320-12011	CUSHION	2	
13	32890-94401	HOLDER, ELECTRIC PARTS	1	W/ELECTRIC STARTER
14	09103-06049	BOLT (6X12)	2	W/ELECTRIC STARTER
15	09160-06084	WASHER (6.5X18X1.6)	2	W/ELECTRIC STARTER
16	09160-12007	WASHER (12.5X26X1.6)	2	W/ELECTRIC STARTER
17	09320-12011	CUSHION	2	W/ELECTRIC STARTER
18	01550-06127	BOLT	1	W/ELECTRIC STARTER
19	32891-94401	COVER, ELECTRIC PARTS HOLDER	1	W/ELECTRIC STARTER
20	03212-0512B	SCREW	3	W/ELECTRIC STARTER
21	31800-94401	RELAY ASSY, STARTING MOTOR	1	W/ELECTRIC STARTER
22	08310-00067	NUT	2	W/ELECTRIC STARTER
23	08321-01067	LOCK WASHER	2	W/ELECTRIC STARTER
24	32919-92L00	CLAMP, HIGH TENSION CORD	1	
25	33410-92L00	COIL, IGNITION	1	
26	01550-06207	BOLT	2	
27	32916-92L00	COVER, CONNECTOR	1	
28	33833-91J00	TUBE	1	L:250->100

FIG.66

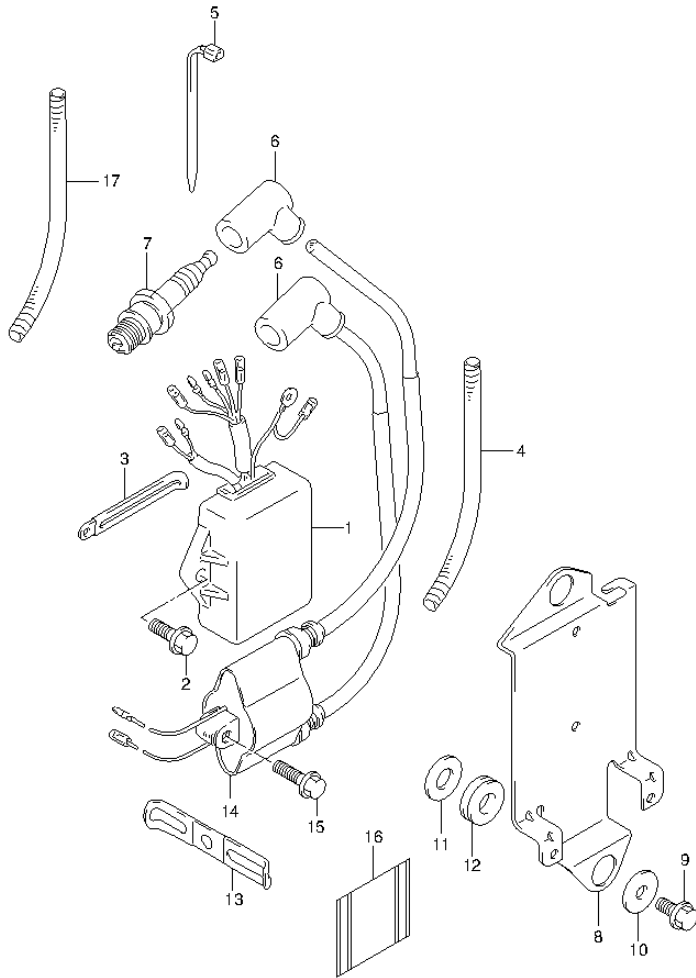


FIG.66 (1-G-3) IGNITION (DT40W P90)

REF NO.	PART NO.	DESCRIPTION	Q'TY	REMARKS
1	32900-92L00	CDI UNIT	1	
2	01550-06127	BOLT	2	
3	29404-93J10	CLAMP	1	
4	33833-91J00	TUBE	1	L:250->100
5	09407-10404	CLAMP (L:100)	2	
6	33510-95520	CAP, SPARK PLUG	2	
7	09482-00370	SPARK PLUG (NGK, BR8HS-10)	2	
8	32950-92L00	HOLDER, CDI/CONTROL UNIT	1	
9	01550-06127	BOLT	2	
10	09160-06084	WASHER (6.5X18X1.6)	2	
11	09160-12007	WASHER (12.5X26X1.6)	2	
12	09320-12011	CUSHION	2	
13	32919-92L00	CLAMP, HIGH TENSION CORD	1	
14	33410-92L00	COIL, IGNITION	1	
15	01550-06207	BOLT	2	
16	32916-92L00	COVER, CONNECTOR	1	
17	33833-91J00	TUBE	1	L:250->100

FIG.67

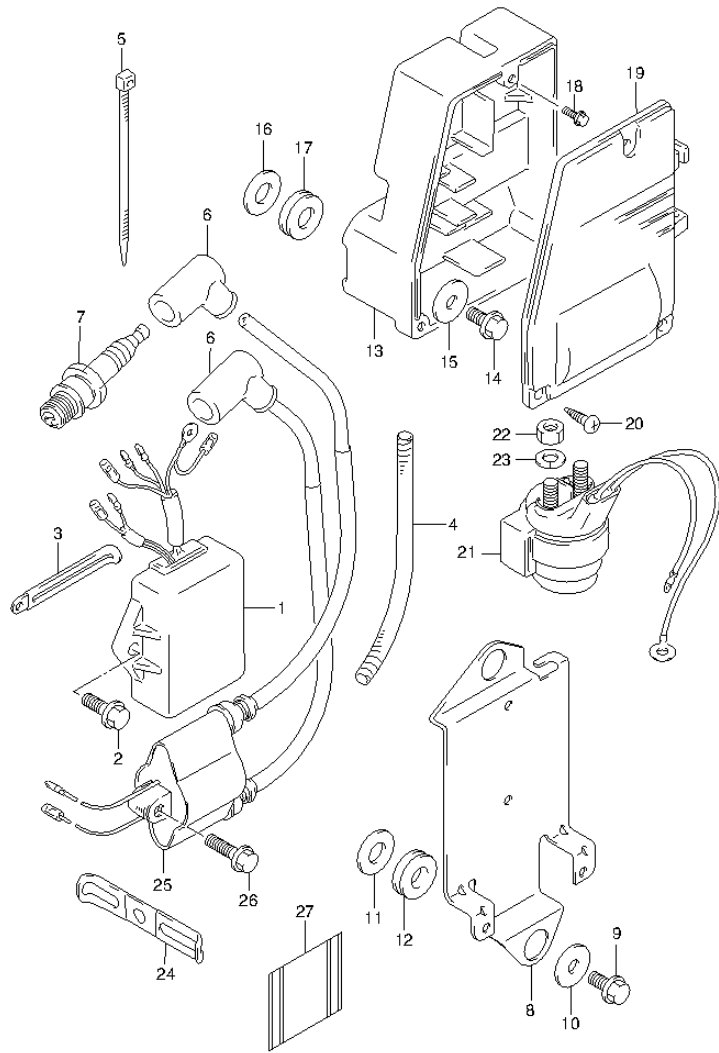


FIG.67 (1-G-4) IGNITION (DT40WR P40)

REF NO.	PART NO.	DESCRIPTION	Q'TY	REMARKS
1	32900-92L00	CDI UNIT	1	
2	01550-06127	BOLT	2	
3	29404-93J10	CLAMP	1	
4	33833-91J00	TUBE	1	L:250->100
5	09407-10404	CLAMP (L:100)	2	
6	33510-95520	CAP, SPARK PLUG	2	
7	09482-00370	SPARK PLUG (NGK, BR8HS-10)	2	
8	32950-92L00	HOLDER, CDI/CONTROL UNIT	1	
9	01550-06127	BOLT	2	
10	09160-06084	WASHER (6.5X18X1.6)	2	
11	09160-12007	WASHER (12.5X26X1.6)	2	
12	09320-12011	CUSHION	2	
13	32890-94401	HOLDER, ELECTRIC PARTS	1	
14	09103-06049	BOLT (6X12)	2	
15	09160-06084	WASHER (6.5X18X1.6)	2	
16	09160-12007	WASHER (12.5X26X1.6)	2	
17	09320-12011	CUSHION	2	
18	01550-06127	BOLT	1	
19	32891-94401	COVER, ELECTRIC PARTS HOLDER	1	
20	03212-0512B	SCREW	3	
21	31800-94401	RELAY ASSY, STARTING MOTOR	1	
22	08310-00067	NUT	2	
23	08321-01067	LOCK WASHER	2	
24	32919-92L00	CLAMP, HIGH TENSION CORD	1	
25	33410-92L00	COIL, IGNITION	1	
26	01550-06207	BOLT	2	
27	32916-92L00	COVER, CONNECTOR	1	

FIG.68

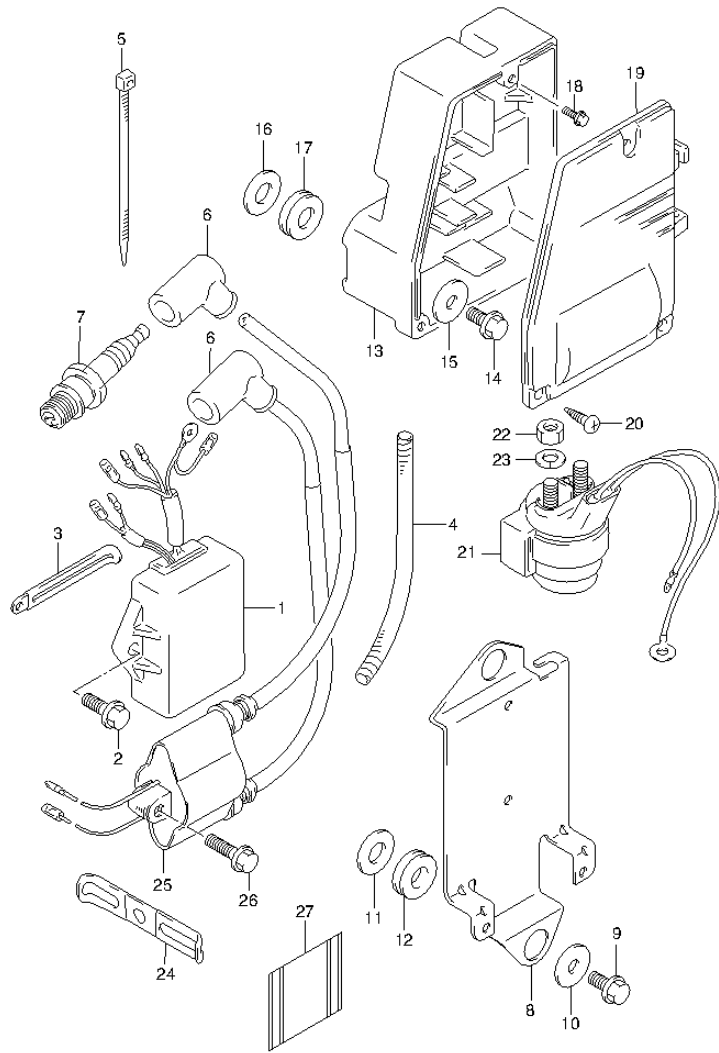


FIG.68 (1-G-5) IGNITION (DT40WR P90)

REF NO.	PART NO.	DESCRIPTION	Q'TY	REMARKS
1	32900-92L00	CDI UNIT	1	
2	01550-06127	BOLT	2	
3	29404-93J10	CLAMP	1	
4	33833-91J00	TUBE	1	L:250->100
5	09407-10404	CLAMP (L:100)	2	
6	33510-95520	CAP, SPARK PLUG	2	
7	09482-00370	SPARK PLUG (NGK, BR8HS-10)	2	
8	32950-92L00	HOLDER, CDI/CONTROL UNIT	1	
9	01550-06127	BOLT	2	
10	09160-06084	WASHER (6.5X18X1.6)	2	
11	09160-12007	WASHER (12.5X26X1.6)	2	
12	09320-12011	CUSHION	2	
13	32890-94401	HOLDER, ELECTRIC PARTS	1	
14	09103-06049	BOLT (6X12)	2	
15	09160-06084	WASHER (6.5X18X1.6)	2	
16	09160-12007	WASHER (12.5X26X1.6)	2	
17	09320-12011	CUSHION	2	
18	01550-06127	BOLT	1	
19	32891-94401	COVER, ELECTRIC PARTS HOLDER	1	
20	03212-0512B	SCREW	3	
21	31800-94401	RELAY ASSY, STARTING MOTOR	1	
22	08310-00067	NUT	2	
23	08321-01067	LOCK WASHER	2	
24	32919-92L00	CLAMP, HIGH TENSION CORD	1	
25	33410-92L00	COIL, IGNITION	1	
26	01550-06207	BOLT	2	
27	32916-92L00	COVER, CONNECTOR	1	

FIG.69

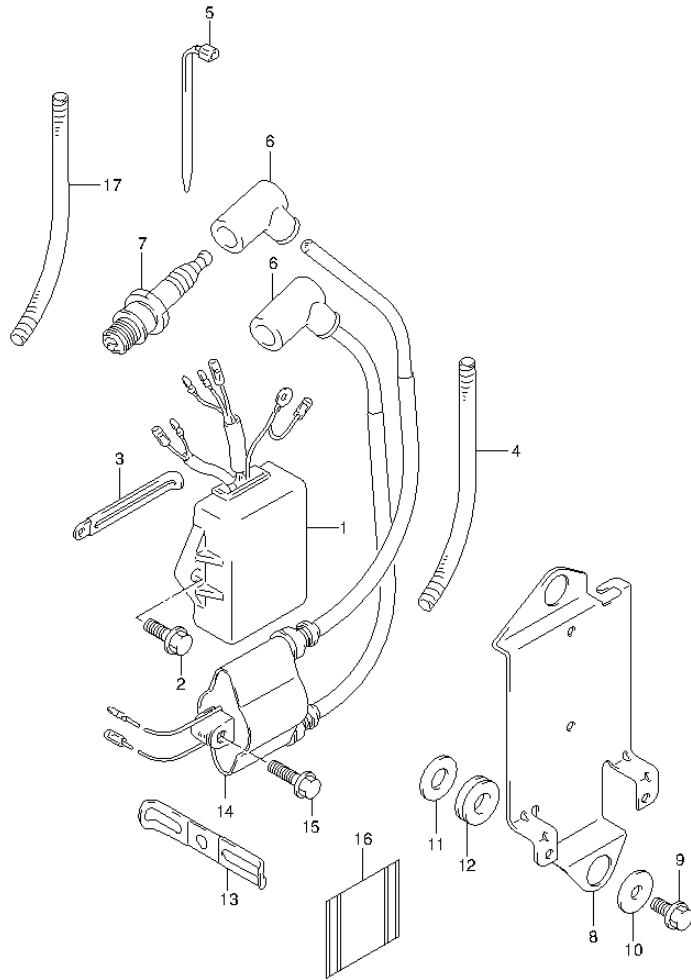


FIG.69 (1-G-6) IGNITION (DT40WK P40)

REF NO.	PART NO.	DESCRIPTION	Q'TY	REMARKS
1	32900-92L10	CDI UNIT	1	
2	01550-06127	BOLT	2	
3	29404-93J10	CLAMP	1	
4	33833-91J00	TUBE	1	L:250->100
5	09407-10404	CLAMP (L:100)	2	
6	33510-95520	CAP, SPARK PLUG	2	
7	09482-00532	SPARK PLUG (NGK, B7HS-10)	2	
8	32950-92L00	HOLDER, CDI/CONTROL UNIT	1	
9	01550-06127	BOLT	2	
10	09160-06084	WASHER (6.5X18X1.6)	2	
11	09160-12007	WASHER (12.5X26X1.6)	2	
12	09320-12011	CUSHION	2	
13	32919-92L00	CLAMP, HIGH TENSION CORD	1	
14	33410-92L00	COIL, IGNITION	1	
15	01550-06207	BOLT	2	
16	32916-92L00	COVER, CONNECTOR	1	
17	33833-91J00	TUBE	1	L:250->100

FIG.70

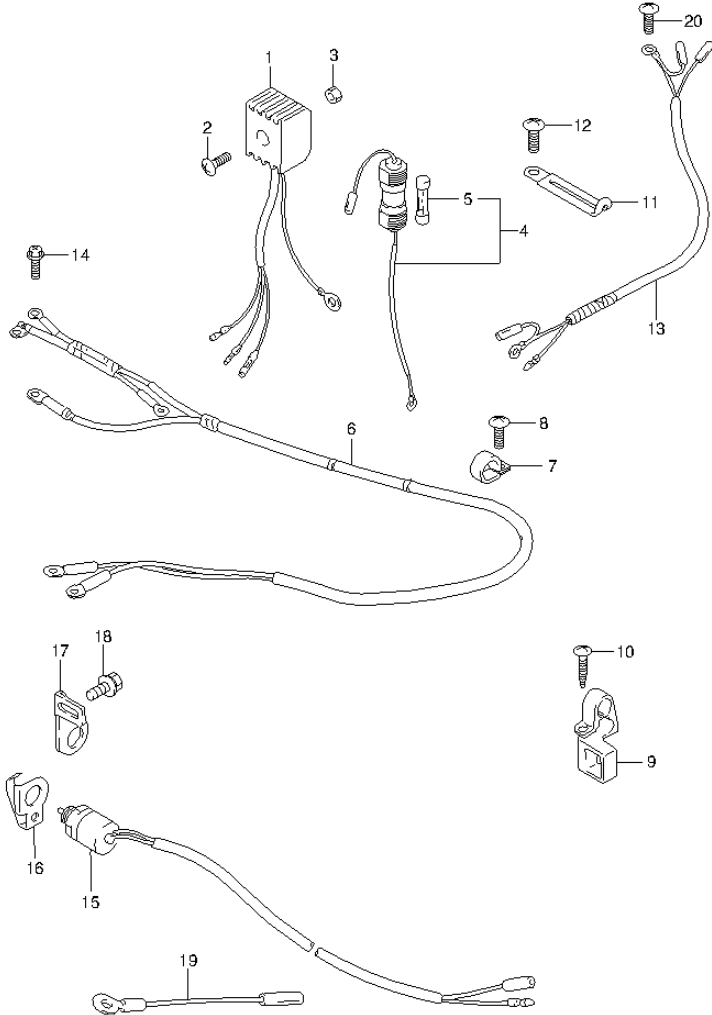


FIG.70 (1-G-7) ELECTRICAL (DT40W P40)

REF NO.	PART NO.	DESCRIPTION	Q'TY	REMARKS
1	32800-95D01	RECTIFIER ASSY	1	W/ELECTRIC STARTER
2	02142-05257	SCREW	1	W/ELECTRIC STARTER
3	08310-00057	NUT	1	W/ELECTRIC STARTER
4	36740-93901	FUSE CASE ASSY	1	W/ELECTRIC STARTER
5	09481-20001	.FUSE (20A)	1	W/ELECTRIC STARTER
6	33810-94411	CABLE ASSY, STARTER	1	W/ELECTRIC STARTER
7	09403-14204	CLAMP	1	W/ELECTRIC STARTER
8	02142-06127	SCREW	1	W/ELECTRIC STARTER
9	33816-96300	CLAMP, CABLE	1	W/ELECTRIC STARTER
10	03241-0625A	SCREW	1	W/ELECTRIC STARTER
11	29404-93J10	CLAMP	1	W/MANUAL STARTER
12	02142-06127	SCREW	1	W/MANUAL STARTER
13	36899-92L00	LEAD, OIL FLOW ETC	1	W/MANUAL STARTER
14	02162-06167	BOLT, EARTH	1	W/ELECTRIC STARTER
15	37721-94404	SWITCH ASSY, NEUTRAL	1	W/ELECTRIC STARTER
16	37725-94302	ACTUATOR, NEUTRAL SWITCH	1	W/ELECTRIC STARTER
17	37726-94402	BRACKET, NEUTRAL SWITCH	1	W/ELECTRIC STARTER
18	01580-06167	BOLT	1	W/ELECTRIC STARTER
19	36895-94400	LEAD, ENGINE GROUND	1	
20	02142-06127	SCREW	1	W/MANUAL STARTER

FIG.71

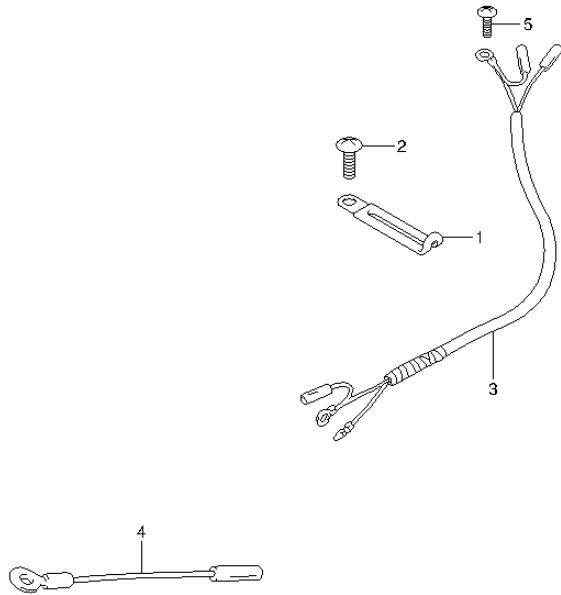


FIG.71 (1-G-8) ELECTRICAL (DT40W P90)

REF NO.	PART NO.	DESCRIPTION	Q'TY	REMARKS
1	29404-93J10	CLAMP	1	
2	02142-06127	SCREW	1	
3	36899-92L00	LEAD, OIL FLOW ETC	1	
4	36895-94400	LEAD, ENGINE GROUND	1	
5	02142-06127	SCREW	1	

FIG.72

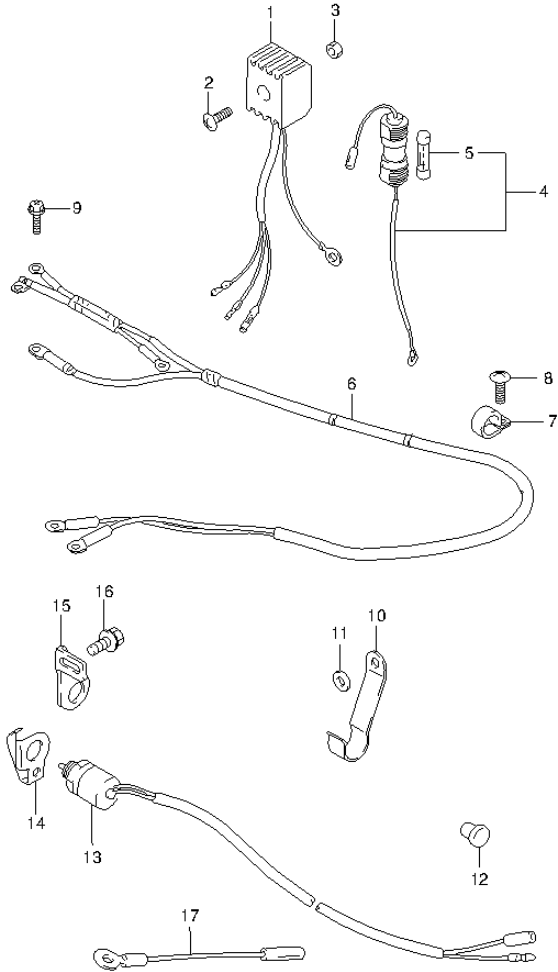


FIG.72 (1-G-9) ELECTRICAL (DT40WR P40)

REF NO.	PART NO.	DESCRIPTION	Q'TY	REMARKS
1	32800-95D01	RECTIFIER ASSY	1	
2	02142-05257	SCREW	1	
3	08310-00057	NUT	1	
4	36740-93901	FUSE CASE ASSY	1	
5	09481-20001	.FUSE (20A)	1	
6	33810-94411	CABLE ASSY, STARTER	1	
7	09403-14204	CLAMP	1	
8	02142-06167	SCREW	1	
9	02162-06167	BOLT, EARTH	1	
10	36791-94504	HOLDER, CONNECTOR	1	
11	08322-01067	WASHER	1	
12	09250-09001	CAP (OD:14)	1	
13	37721-94404	SWITCH ASSY, NEUTRAL	1	
14	37725-94302	ACTUATOR, NEUTRAL SWITCH	1	
15	37726-94402	BRACKET, NEUTRAL SWITCH	1	
16	01580-06167	BOLT	1	
17	36895-94400	LEAD, ENGINE GROUND	1	

FIG.73

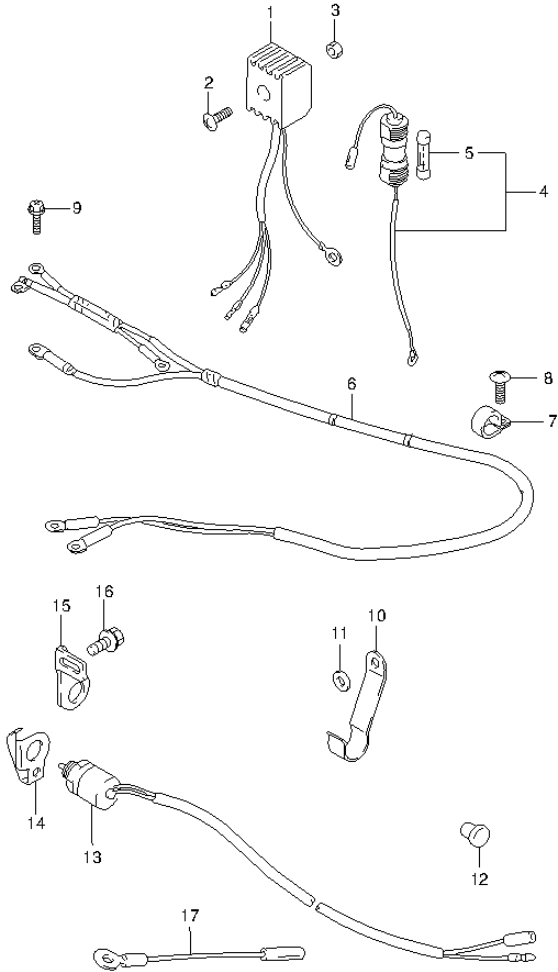


FIG.73 (1-G-10) ELECTRICAL (DT40WR P90)

REF NO.	PART NO.	DESCRIPTION	Q'TY	REMARKS
1	32800-95D01	RECTIFIER ASSY	1	
2	02142-05257	SCREW	1	
3	08310-00057	NUT	1	
4	36740-93901	FUSE CASE ASSY	1	
5	09481-20001	.FUSE (20A)	1	
6	33810-94411	CABLE ASSY, STARTER	1	
7	09403-14204	CLAMP	1	
8	02142-06167	SCREW	1	
9	02162-06167	BOLT, EARTH	1	
10	36791-94504	HOLDER, CONNECTOR	1	
11	08322-01067	WASHER	1	
12	09250-09001	CAP (OD:14)	1	
13	37721-94404	SWITCH ASSY, NEUTRAL	1	
14	37725-94302	ACTUATOR, NEUTRAL SWITCH	1	
15	37726-94402	BRACKET, NEUTRAL SWITCH	1	
16	01580-06167	BOLT	1	
17	36895-94400	LEAD, ENGINE GROUND	1	

FIG.74

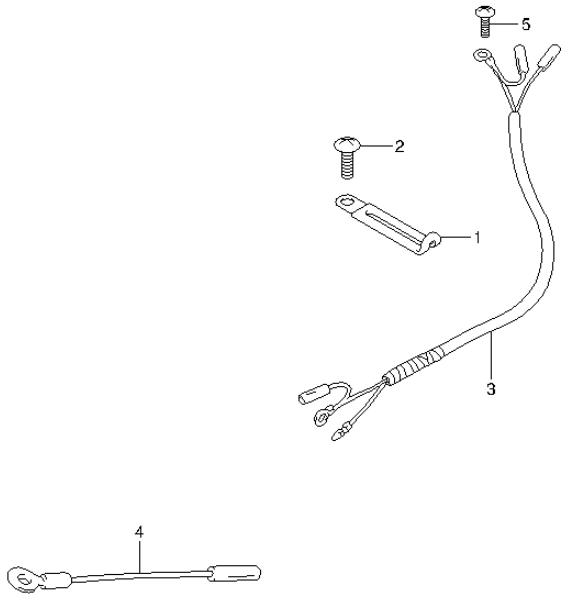


FIG.74 (1-G-11) ELECTRICAL (DT40WK P40)

REF NO.	PART NO.	DESCRIPTION	Q'TY	REMARKS
1	29404-93J10	CLAMP	1	
2	02142-06127	SCREW	1	
3	36899-92L00	LEAD, OIL FLOW ETC	1	
4	36895-94400	LEAD, ENGINE GROUND	1	
5	02142-06127	SCREW	1	

FIG.75

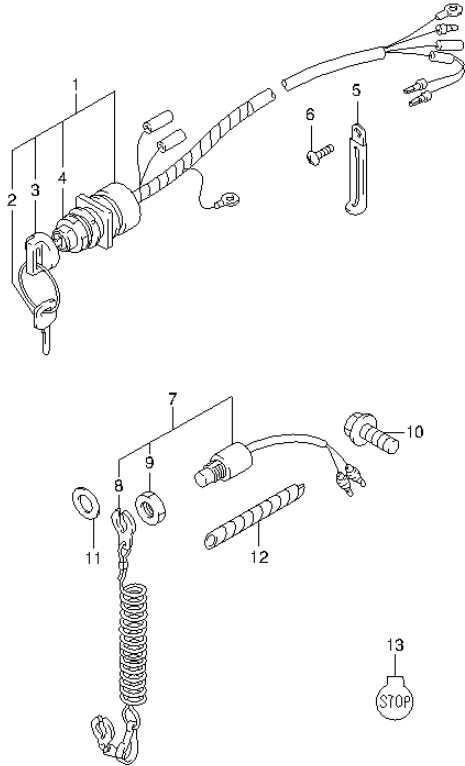


FIG.75 (1-G-12) IGNITION SWITCH (DT40W P40)

REF NO.	PART NO.	DESCRIPTION	Q'TY	REMARKS
1	37110-94471	SWITCH ASSY, IGNITION	1	W/ELECTRIC STARTER
2-1	37141-99EA0	.KEY (941)	1	W/ELECTRIC STARTER
2-2	37141-99EB0	.KEY (942)	1	W/ELECTRIC STARTER
2-3	37141-99E00	.KEY (931)	1	W/ELECTRIC STARTER
2-4	37141-99E10	.KEY (932)	1	W/ELECTRIC STARTER
2-5	37141-99E20	.KEY (933)	1	W/ELECTRIC STARTER
2-6	37141-99E30	.KEY (934)	1	W/ELECTRIC STARTER
2-7	37141-99E40	.KEY (935)	1	W/ELECTRIC STARTER
2-8	37141-99E50	.KEY (936)	1	W/ELECTRIC STARTER
2-9	37141-99E60	.KEY (937)	1	W/ELECTRIC STARTER
2-10	37141-99E70	.KEY (938)	1	W/ELECTRIC STARTER
2-11	37141-99E80	.KEY (939)	1	W/ELECTRIC STARTER
2-12	37141-99E90	.KEY (940)	1	W/ELECTRIC STARTER
3	37143-99E00	.CAP, KEY	1	W/ELECTRIC STARTER
4	37149-93J00	.CAP, CYLINDER BODY	1	W/ELECTRIC STARTER
5	29404-93J10	CLAMP	1	W/ELECTRIC STARTER
6	02142-06127	SCREW	1	W/ELECTRIC STARTER
7	37830-92L01	SWITCH ASSY, EMERGENCY & STOP	1	
8	37823-97J00	.PLATE, LOCK	1	
9	37826-97J00	.NUT	1	
10	01550-06127	BOLT	1	W/MANUAL STARTER
11	09160-25069	WASHER (25X40X1.1)	1	W/ELECTRIC STARTER
12	33833-91J00	TUBE (L:250)	1	W/MANUAL STARTER
13	37835-95D00	LABEL, STOP	1	L:250->100 W/MANUAL STARTER

FIG.76

FIG.76 (1-G-13) IGNITION SWITCH (DT40W P90)

REF NO.	PART NO.	DESCRIPTION	Q'TY	REMARKS
1	37830-92L01	SWITCH ASSY, EMERGENCY & STOP	1	
2	37823-97J00	.PLATE, LOCK	1	
3	37826-97J00	.NUT	1	
4	01550-06127	BOLT	1	
5	33833-91J00	TUBE (L:250)	1	L:250->100
6	37835-95D00	LABEL, STOP	1	

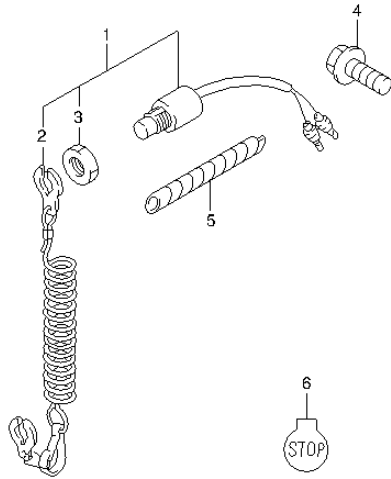


FIG.77

FIG.77 (1-G-14) IGNITION SWITCH (DT40WR P40)

REF NO.	PART NO.	DESCRIPTION	Q'TY	REMARKS
1	36610-94411	HARNESS ASSY, WIRING	1	
2	36612-94421	GROMMET	1	
3	09407-12402	CLAMP (L:120)	1	
4	38600-94400	SOLENOID ASSY, CHOKE	1	
5	02112-35127	SCREW	2	

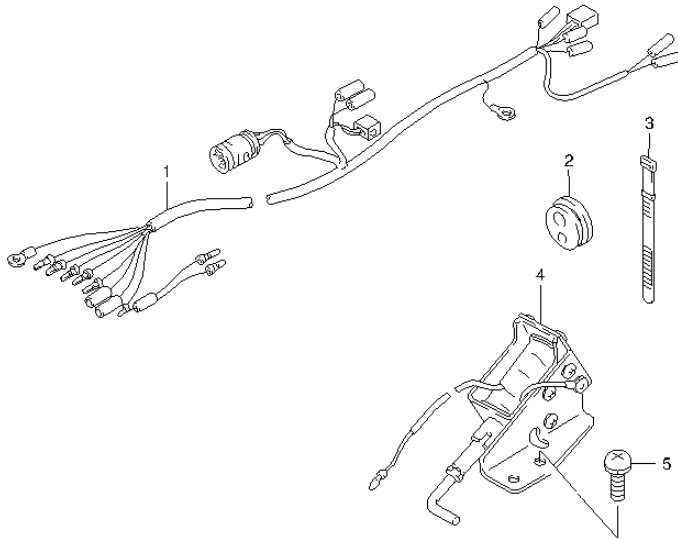


FIG.78

FIG.78 (1-G-15) IGNITION SWITCH (DT40WR P90)

REF NO.	PART NO.	DESCRIPTION	Q'TY	REMARKS
1	36610-94411	HARNESS ASSY, WIRING	1	
2	36612-94421	GROMMET	1	
3	09407-12402	CLAMP (L:120)	1	
4	38600-94400	SOLENOID ASSY, CHOKE	1	
5	02112-35127	SCREW	2	

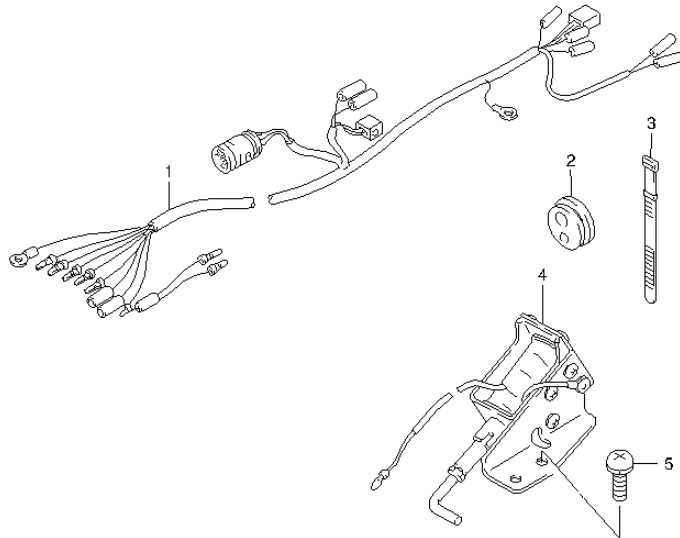


FIG.79

FIG.79 (1-H-2) IGNITION SWITCH (DT40WK P40)

REF NO.	PART NO.	DESCRIPTION	Q'TY	REMARKS
1	37830-92L01	SWITCH ASSY, EMERGENCY & STOP	1	
2	37823-97J00	.PLATE, LOCK	1	
3	37826-97J00	.NUT	1	
4	01550-06127	BOLT	1	
5	33833-91J00	TUBE (L:250)	1	L:250->100
6	37835-95D00	LABEL, STOP	1	

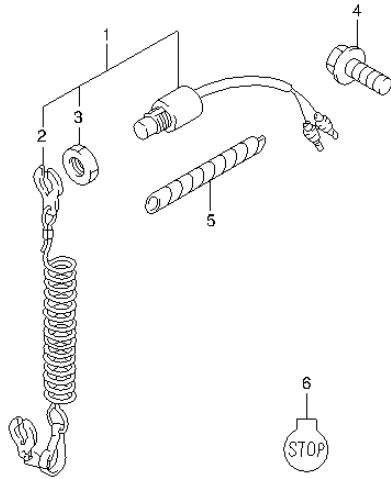


FIG.80

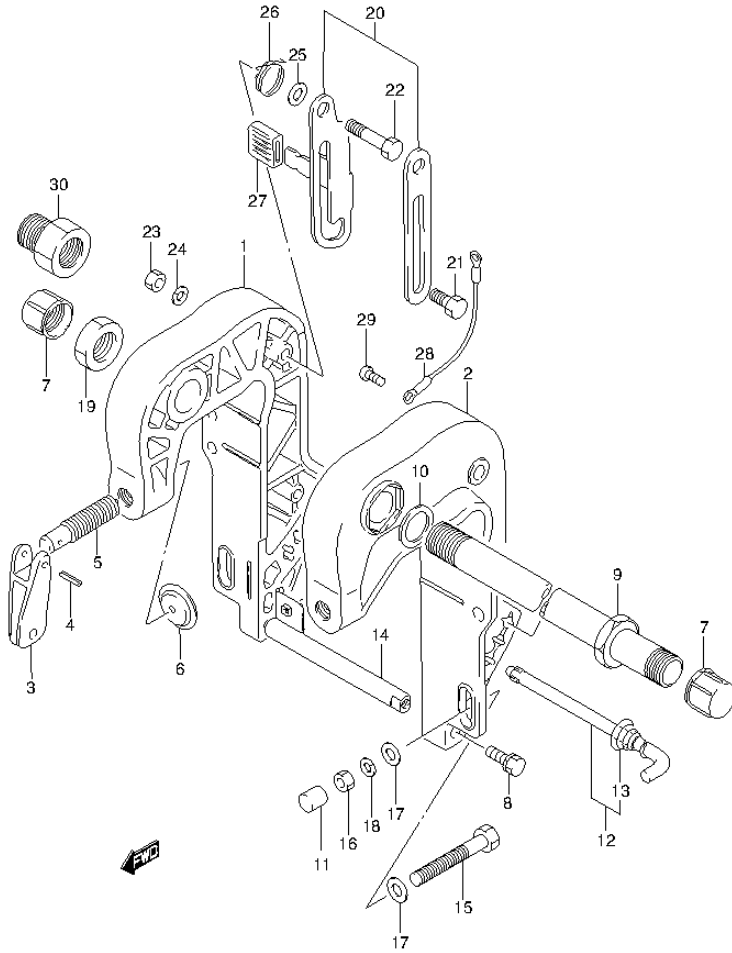


FIG.80 (1-H-3) CLAMP BRACKET (DT40W P40)

REF NO.	PART NO.	DESCRIPTION	Q'TY	REMARKS
1	41111-92L10-0EP	BRACKET, CLAMP STBD (BLACK)	1	OPT
2	41121-92L10-0EP	BRACKET, CLAMP PORT (BLACK)	1	OPT
3	41212-91LL0-0EP	HANDLE, CLAMP (BLACK)	2	
4	09205-06007	SPRING PIN (6X25)	2	
5	41211-92L00	SCREW, CLAMP	2	
6	41213-98100	PLATE, CLAMP	2	
7	41151-94500	CAP, CLAMP BRACKET SHAFT	2	
8	09116-08152	BOLT (8X35)	2	
9	41130-92L00	SHAFT, CLAMP BRACKET	1	
10	09160-22033	WASHER (22.5X38X1)	1	
11	41153-96300	CAP, TRANSOM BOLT	2	
12	45420-94311	PIN, TILT LOCK	1	
13	09441-17002	SPRING	1	
14	41311-92L00	ROD, CLAMP BRACKET LOWER	1	
15	09100-08311	BOLT (8X90)	2	
16	09140-08023-XC0	NUT	2	
17	09160-08081	WASHER (8.5X23X1.5)	4	
18	29162-93J10	LOCK WASHER	2	
19	09159-22L01	NUT	1	
20	41200-92L00	ARM ASSY, TILT	1	
21	09111-10067	BOLT	2	
22	09111-10069	BOLT (10X50)	2	
23	29141-93J20	NUT	2	
24	09162-10005	LOCK WASHER	2	
25	09160-10082	WASHER (10.5X19X2)	2	
26	09448-29009	SPRING	1	
27	41225-94400	RUBBER, TILT LOCK	1	
28	36894-95201	LEAD (L:165)	1	
29	29125-93J10	SCREW	2	
30	41141-94301	ATTACHMENT, STEERING CABLE	1	OPT

FIG.81

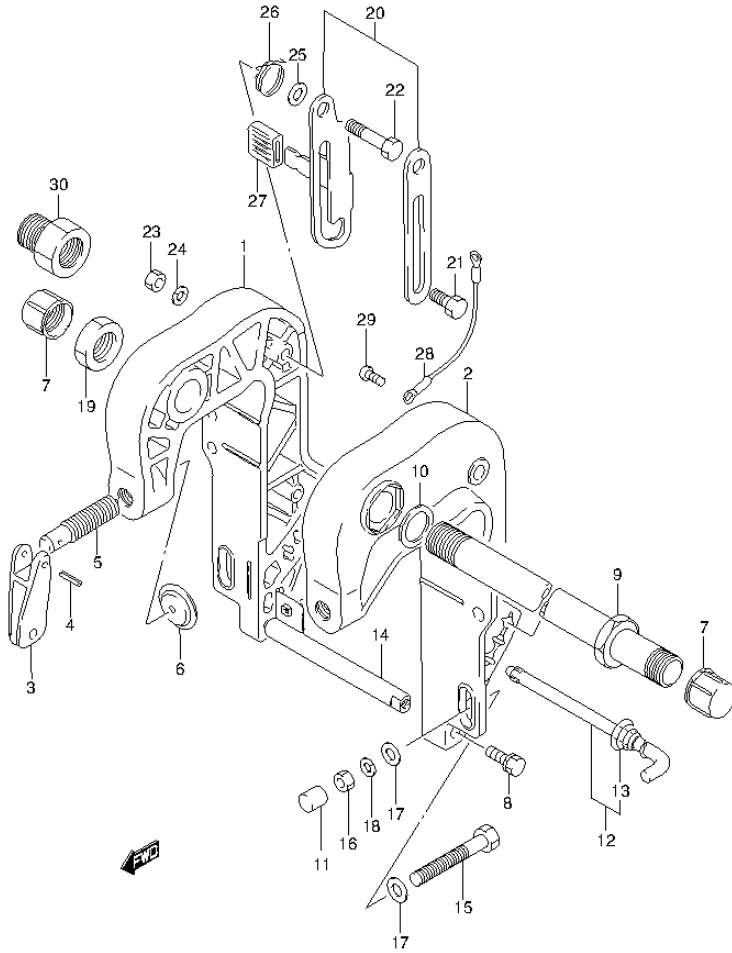


FIG.81 (1-H-4) CLAMP BRACKET (DT40W P90)

REF NO.	PART NO.	DESCRIPTION	Q'TY	REMARKS
1	41111-92L10-0EP	BRACKET, CLAMP STBD (BLACK)	1	OPT
2	41121-92L10-0EP	BRACKET, CLAMP PORT (BLACK)	1	OPT
3	41212-91LL0-0EP	HANDLE, CLAMP (BLACK)	2	
4	09205-06007	SPRING PIN (6X25)	2	
5	41211-92L00	SCREW, CLAMP	2	
6	41213-98100	PLATE, CLAMP	2	
7	41151-94500	CAP, CLAMP BRACKET SHAFT	2	
8	09116-08152	BOLT (8X35)	2	
9	41130-92L00	SHAFT, CLAMP BRACKET	1	
10	09160-22033	WASHER (22.5X38X1)	1	
11	41153-96300	CAP, TRANSOM BOLT	2	
12	45420-94311	PIN, TILT LOCK	1	
13	09441-17002	SPRING	1	
14	41311-92L00	ROD, CLAMP BRACKET LOWER	1	
15	09100-08311	BOLT (8X90)	2	
16	09140-08023-XC0	NUT	2	
17	09160-08081	WASHER (8.5X23X1.5)	4	
18	29162-93J10	LOCK WASHER	2	
19	09159-22L01	NUT	1	
20	41200-92L00	ARM ASSY, TILT	1	
21	09111-10067	BOLT	2	
22	09111-10069	BOLT (10X50)	2	
23	29141-93J20	NUT	2	
24	09162-10005	LOCK WASHER	2	
25	09160-10082	WASHER (10.5X19X2)	2	
26	09448-29009	SPRING	1	
27	41225-94400	RUBBER, TILT LOCK	1	
28	36894-95201	LEAD (L:165)	1	
29	29125-93J10	SCREW	2	
30	41141-94301	ATTACHMENT, STEERING CABLE	1	OPT

FIG.82

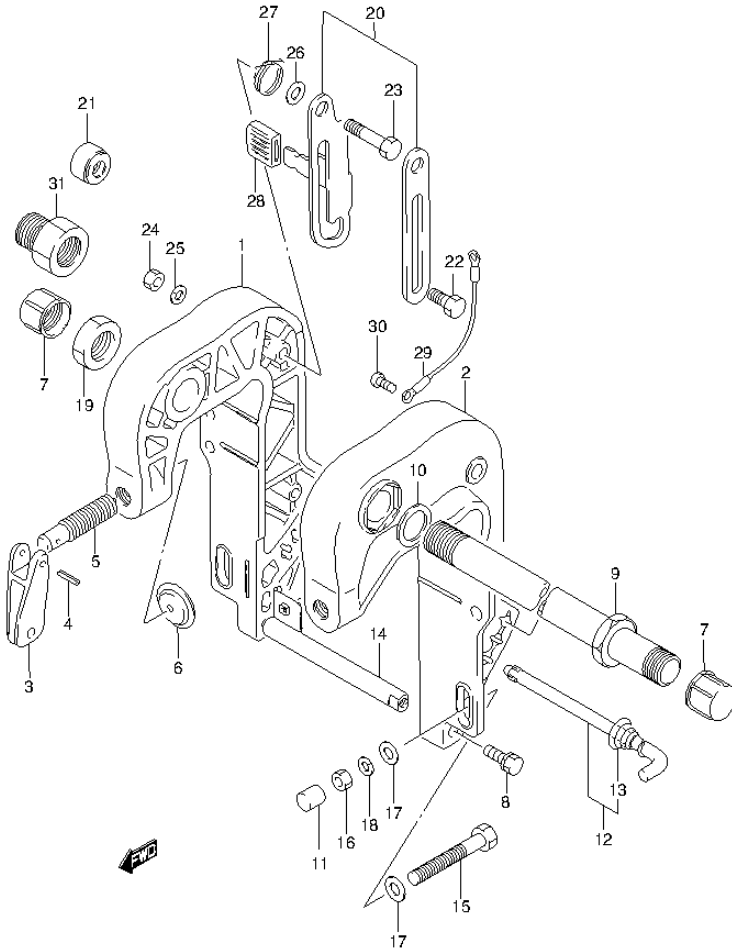


FIG.82 (1-H-5) CLAMP BRACKET (DT40WR P40)

REF NO.	PART NO.	DESCRIPTION	Q'TY	REMARKS
1	41111-92L10-0EP	BRACKET, CLAMP STBD (BLACK)	1	OPT
2	41121-92L10-0EP	BRACKET, CLAMP PORT (BLACK)	1	OPT
3	41212-91LL0-0EP	HANDLE, CLAMP (BLACK)	2	
4	09205-06007	SPRING PIN (6X25)	2	
5	41211-92L00	SCREW, CLAMP	2	
6	41213-98100	PLATE, CLAMP	2	
7	41151-94500	CAP, CLAMP BRACKET SHAFT	2	
8	09116-08152	BOLT (8X35)	2	
9	41130-92L00	SHAFT, CLAMP BRACKET	1	
10	09160-22033	WASHER (22.5X38X1)	1	
11	41153-96300	CAP, TRANSOM BOLT	2	
12	45420-94311	PIN, TILT LOCK	1	
13	09441-17002	SPRING	1	
14	41311-92L00	ROD, CLAMP BRACKET LOWER	1	
15	09100-08311	BOLT (8X90)	2	
16	09140-08023-XC0	NUT	2	
17	09160-08081	WASHER (8.5X23X1.5)	4	
18	29162-93J10	LOCK WASHER	2	
19	09159-22L01	NUT	1	
20	41200-92L00	ARM ASSY, TILT	1	
21	41161-94400	SEAL, STEERING CABLE	1	
22	09111-10067	BOLT	2	
23	09111-10069	BOLT (10X50)	2	
24	29141-93J20	NUT	2	
25	09162-10005	LOCK WASHER	2	
26	09160-10082	WASHER (10.5X19X2)	2	
27	09448-29009	SPRING	1	
28	41225-94400	RUBBER, TILT LOCK	1	
29	36894-95201	LEAD (L:165)	1	
30	29125-93J10	SCREW	2	
31	41141-94301	ATTACHMENT, STEERING CABLE	1	OPT

FIG.83

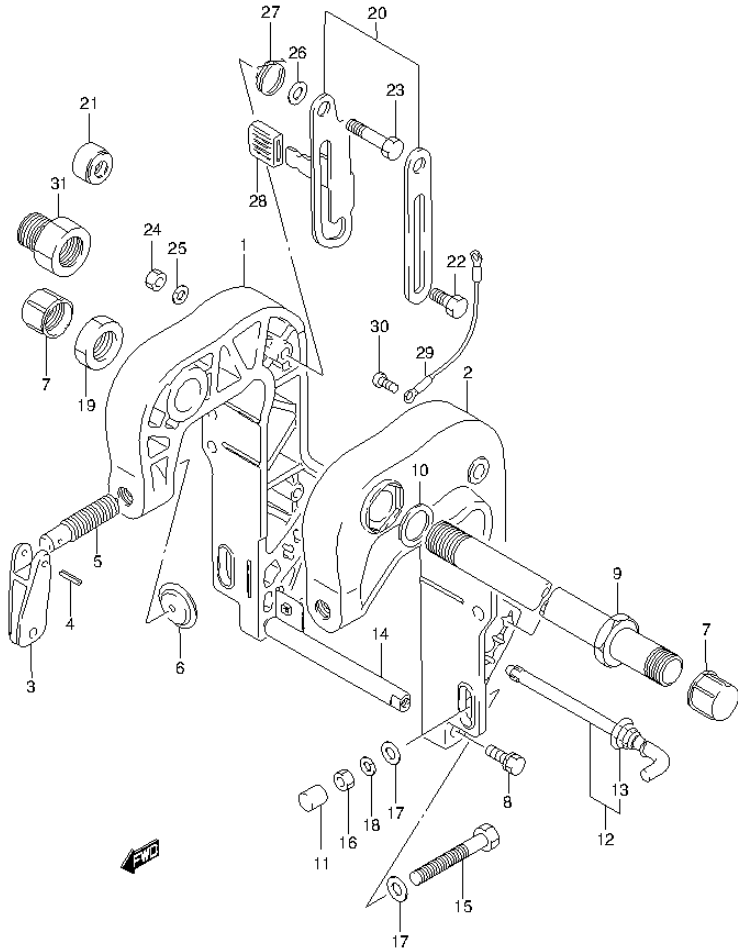


FIG.83 (1-H-6) CLAMP BRACKET (DT40WR P90)

REF NO.	PART NO.	DESCRIPTION	Q'TY	REMARKS
1	41111-92L10-0EP	BRACKET, CLAMP STBD (BLACK)	1	OPT
2	41121-92L10-0EP	BRACKET, CLAMP PORT (BLACK)	1	OPT
3	41212-91LL0-0EP	HANDLE, CLAMP (BLACK)	2	
4	09205-06007	SPRING PIN (6X25)	2	
5	41211-92L00	SCREW, CLAMP	2	
6	41213-98100	PLATE, CLAMP	2	
7	41151-94500	CAP, CLAMP BRACKET SHAFT	2	
8	09116-08152	BOLT (8X35)	2	
9	41130-92L00	SHAFT, CLAMP BRACKET	1	
10	09160-22033	WASHER (22.5X38X1)	1	
11	41153-96300	CAP, TRANSOM BOLT	2	
12	45420-94311	PIN, TILT LOCK	1	
13	09441-17002	SPRING	1	
14	41311-92L00	ROD, CLAMP BRACKET LOWER	1	
15	09100-08311	BOLT (8X90)	2	
16	09140-08023-XC0	NUT	2	
17	09160-08081	WASHER (8.5X23X1.5)	4	
18	29162-93J10	LOCK WASHER	2	
19	09159-22L01	NUT	1	
20	41200-92L00	ARM ASSY, TILT	1	
21	41161-94400	SEAL, STEERING CABLE	1	
22	09111-10067	BOLT	2	
23	09111-10069	BOLT (10X50)	2	
24	29141-93J20	NUT	2	
25	09162-10005	LOCK WASHER	2	
26	09160-10082	WASHER (10.5X19X2)	2	
27	09448-29009	SPRING	1	
28	41225-94400	RUBBER, TILT LOCK	1	
29	36894-95201	LEAD (L:165)	1	
30	29125-93J10	SCREW	2	
31	41141-94301	ATTACHMENT, STEERING CABLE	1	OPT

FIG.84

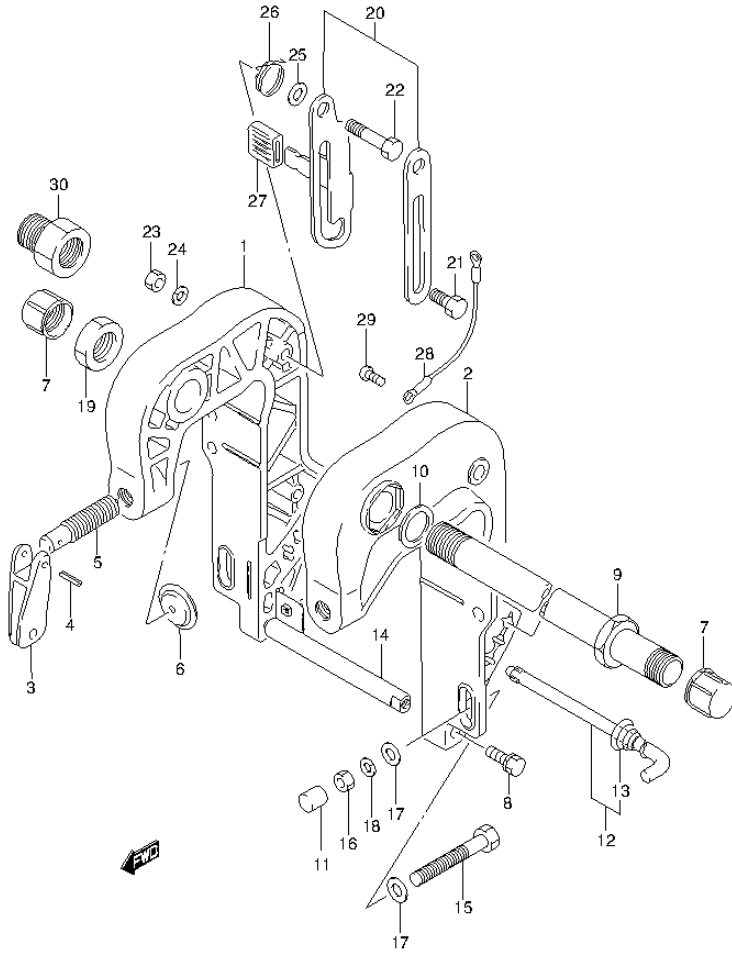


FIG.84 (1-H-7) CLAMP BRACKET (DT40WK P40)

REF NO.	PART NO.	DESCRIPTION	Q'TY	REMARKS
1	41111-92L10-0EP	BRACKET, CLAMP STBD (BLACK)	1	OPT
2	41121-92L10-0EP	BRACKET, CLAMP PORT (BLACK)	1	OPT
3	41212-91LL0-0EP	HANDLE, CLAMP (BLACK)	2	
4	09205-06007	SPRING PIN (6X25)	2	
5	41211-92L00	SCREW, CLAMP	2	
6	41213-98100	PLATE, CLAMP	2	
7	41151-94500	CAP, CLAMP BRACKET SHAFT	2	
8	09116-08152	BOLT (8X35)	2	
9	41130-92L00	SHAFT, CLAMP BRACKET	1	
10	09160-22033	WASHER (22.5X38X1)	1	
11	41153-96300	CAP, TRANSOM BOLT	2	
12	45420-94311	PIN, TILT LOCK	1	
13	09441-17002	SPRING	1	
14	41311-92L00	ROD, CLAMP BRACKET LOWER	1	
15	09100-08311	BOLT (8X90)	2	
16	09140-08023-XC0	NUT	2	
17	09160-08081	WASHER (8.5X23X1.5)	4	
18	29162-93J10	LOCK WASHER	2	
19	09159-22L01	NUT	1	
20	41200-92L00	ARM ASSY, TILT	1	
21	09111-10067	BOLT	2	
22	09111-10069	BOLT (10X50)	2	
23	29141-93J20	NUT	2	
24	09162-10005	LOCK WASHER	2	
25	09160-10082	WASHER (10.5X19X2)	2	
26	09448-29009	SPRING	1	
27	41225-94400	RUBBER, TILT LOCK	1	
28	36894-95201	LEAD (L:165)	1	
29	29125-93J10	SCREW	2	
30	41141-94301	ATTACHMENT, STEERING CABLE	1	OPT

FIG.85

FIG.85 (1-H-8) SWIVEL BRACKET (DT40W P40)

REF NO.	PART NO.	DESCRIPTION	Q'TY	REMARKS
1	22511-92L00	NIPPLE, GREASE	3	
2	43111-92L10-0EP	BRACKET, SWIVEL (BLACK)	1	
3	43211-87JL0	BUSH, SWIVEL BRACKET	2	
4	43711-92L00	BUSH, STEERING	2	
5	43750-92L20-0EP	BRACKET, STEERING (BLACK)	1	
6	09160-39001	WASHER (39.5X64X1)	3	
7	09181-39001	SHIM (39.5X64X0.3)	AR	
8	09282-39001	OIL SEAL (39X51X5)	1	
9	09380-38003	CIRCLIP	1	
10	41225-94502	PIN, RELEASE ARM	1	
11	45231-92L00	ARM, REVERSE LOCK	1	
12	45241-92L00	LINK, REVERSE LOCK ARM	1	
13	45250-94400	LINK, RELEASE	1	
14	45255-93001	RUBBER, RELEASE LEVER	1	
15	45261-92L00	LEVER, RELEASE	1	
16	09160-08091	WASHER (8.5X14X1.0)	1	
17	09200-05015	PIN (5X117)	1	
18	09200-08043	PIN (8X11)	1	
19	09204-01002	PIN	2	
20	09306-22006	BUSH	2	
21	09443-15031	SPRING	2	
22	09448-29018	SPRING	1	
23	43411-97E00	ADJUSTER, STEERING	1	
24	43412-93900	COVER, STEERING ADJUSTER	1	
25	09100-08309	BOLT (8X35)	1	
26	09160-08091	WASHER (8.5X14X1.0)	1	
27	29440-93J00	SPRING, STEERING ADJUSTER	1	

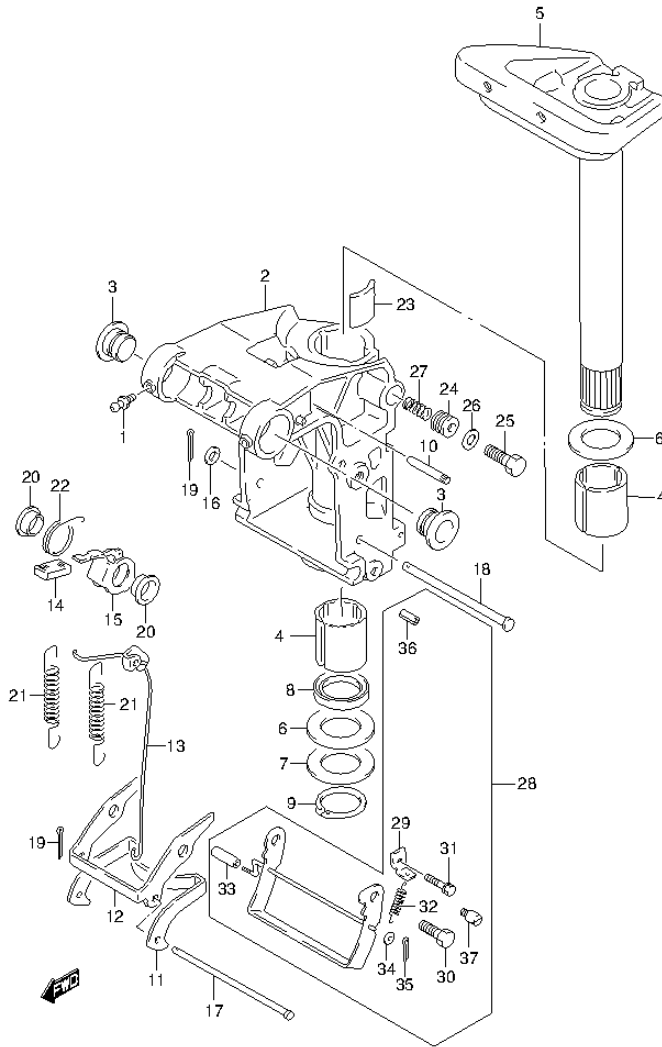


FIG.85

FIG.85 (1-H-9) SWIVEL BRACKET (DT40W P40)

REF NO.	PART NO.	DESCRIPTION	Q'TY	REMARKS
28	45700-92L00	SHALLOW WATER DRIVE ASSY	1	OPT
29	45713-92L00	.STOPPER, SHALLOW WATER	1	OPT
30	09111-10045	.BOLT (10X20.8)	2	OPT
31	09117-06030	.BOLT (6X16)	1	OPT
32	09443-12039	.SPRING	1	OPT
33	45255-95500	.KNOB, RELEASE LEVER	1	OPT
34	09160-05029	.WASHER (5.5X12X0.8)	1	OPT
35	09204-01002	.PIN	1	OPT
36	09205-08002	.SPRING PIN (8X16)	1	OPT
37	45331-94610	.PIN, SHALLOW DRIVE	1	OPT

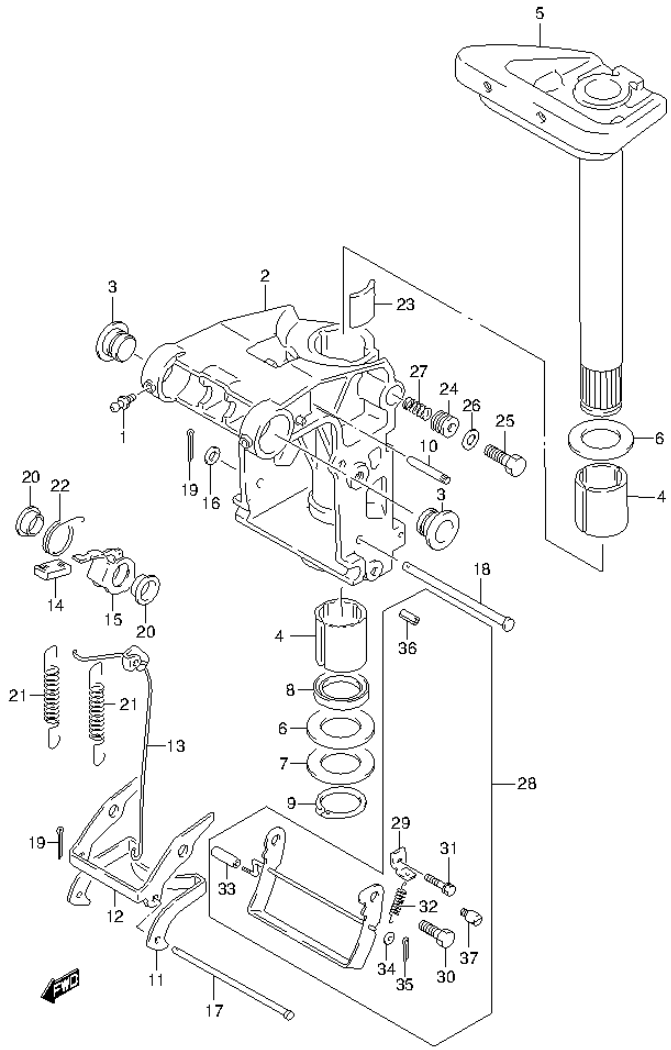


FIG.86

FIG.86 (1-H-10) SWIVEL BRACKET (DT40W P90)

REF NO.	PART NO.	DESCRIPTION	Q'TY	REMARKS
1	22511-92L00	NIPPLE, GREASE	3	
2	43111-92L10-0EP	BRACKET, SWIVEL (BLACK)	1	
3	43211-87JL0	BUSH, SWIVEL BRACKET	2	
4	43711-92L00	BUSH, STEERING	2	
5	43750-92L20-0EP	BRACKET, STEERING (BLACK)	1	
6	09160-39001	WASHER (39.5X64X1)	3	
7	09181-39001	SHIM (39.5X64X0.3)	AR	
8	09282-39001	OIL SEAL (39X51X5)	1	
9	09380-38003	CIRCLIP	1	
10	41225-94502	PIN, RELEASE ARM	1	
11	45231-92L00	ARM, REVERSE LOCK	1	
12	45241-92L00	LINK, REVERSE LOCK ARM	1	
13	45250-94400	LINK, RELEASE	1	
14	45255-93001	RUBBER, RELEASE LEVER	1	
15	45261-92L00	LEVER, RELEASE	1	
16	09160-08091	WASHER (8.5X14X1.0)	1	
17	09200-05015	PIN (5X117)	1	
18	09200-08043	PIN (8X11)	1	
19	09204-01002	PIN	2	
20	09306-22006	BUSH	2	
21	09443-15031	SPRING	2	
22	09448-29018	SPRING	1	
23	43411-97E00	ADJUSTER, STEERING	1	
24	43412-93900	COVER, STEERING ADJUSTER	1	
25	09100-08309	BOLT (8X35)	1	
26	09160-08091	WASHER (8.5X14X1.0)	1	
27	29440-93J00	SPRING, STEERING ADJUSTER	1	
28	45255-95500	KNOB, RELEASE LEVER	1	
29	45713-92L00	STOPPER, SHALLOW WATER DRIVE	1	
30	09111-10067	BOLT	2	
31	09116-06225	BOLT (6X15)	1	
32	09160-05029	WASHER (5.5X12X0.8)	1	
33	09204-01002	PIN	1	
34	09205-08002	SPRING PIN (8X16)	1	

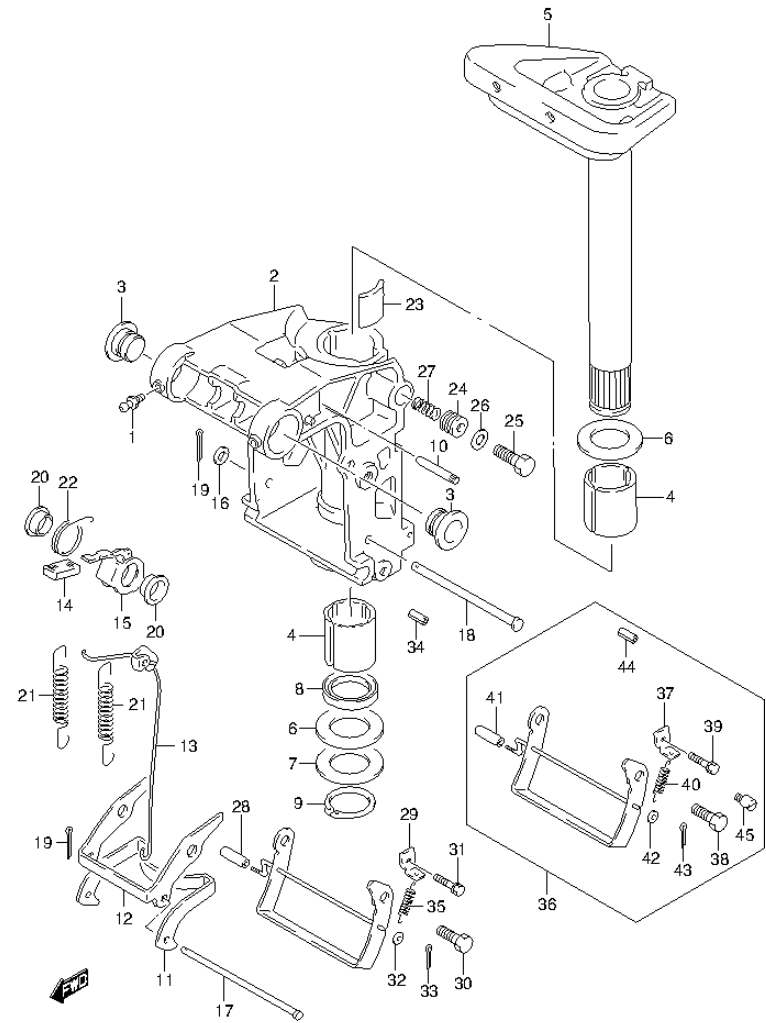


FIG.86

FIG.86 (1-H-11) SWIVEL BRACKET (DT40W P90)

REF NO.	PART NO.	DESCRIPTION	Q'TY	REMARKS
35	09443-12039	SPRING	1	
36	45700-92L00	SHALLOW WATER DRIVE ASSY	1	OPT
37	45713-92L00	.STOPPER, SHALLOW WATER	1	OPT
38	09111-10045	.BOLT (10X20.8)	2	OPT
39	09117-06030	.BOLT (6X16)	1	OPT
40	09443-12039	.SPRING	1	OPT
41	45255-95500	.KNOB, RELEASE LEVER	1	OPT
42	09160-05029	.WASHER (5.5X12X0.8)	1	OPT
43	09204-01002	.PIN	1	OPT
44	09205-08002	.SPRING PIN (8X16)	1	OPT
45	45331-94610	.PIN, SHALLOW DRIVE	1	OPT

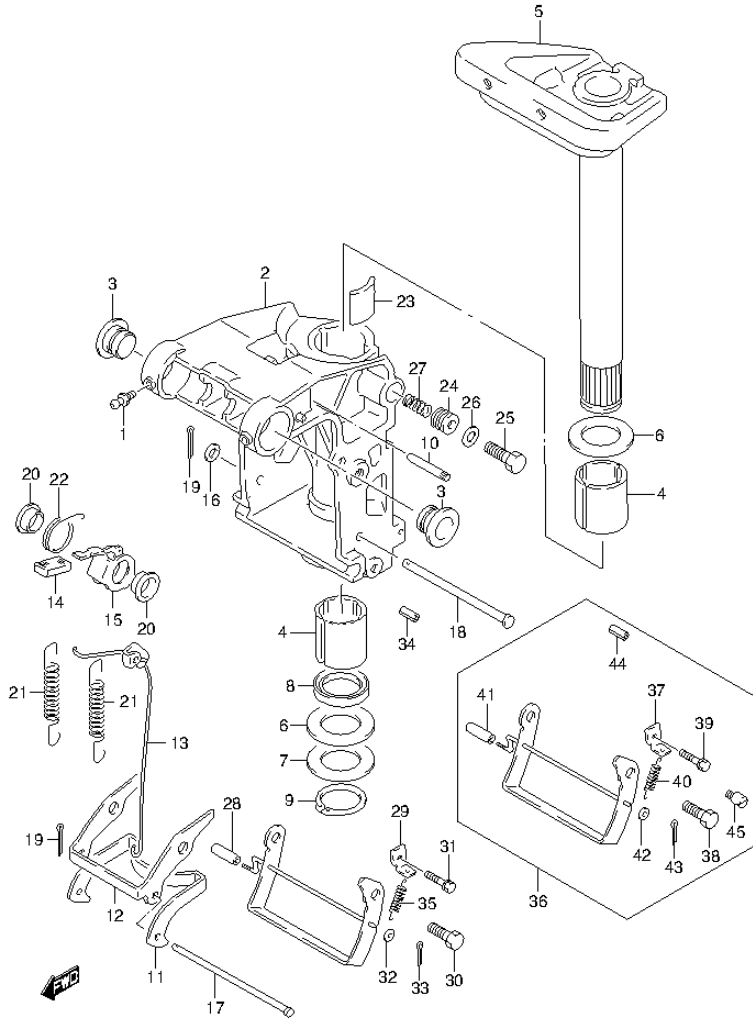


FIG.87

FIG.87 (1-H-12) SWIVEL BRACKET (DT40WR P40)

REF NO.	PART NO.	DESCRIPTION	Q'TY	REMARKS
1	22511-92L00	NIPPLE, GREASE	3	
2	43111-92L10-0EP	BRACKET, SWIVEL (BLACK)	1	
3	43211-87JL0	BUSH, SWIVEL BRACKET	2	
4	43711-92L00	BUSH, STEERING	2	
5	43750-92L20-0EP	BRACKET, STEERING (BLACK)	1	
6	09160-39001	WASHER (39.5X64X1)	3	
7	09181-39001	SHIM (39.5X64X0.3)	AR	
8	09282-39001	OIL SEAL (39X51X5)	1	
9	09380-38003	CIRCLIP	1	
10	41225-94502	PIN, RELEASE ARM	1	
11	45231-92L00	ARM, REVERSE LOCK	1	
12	45241-92L00	LINK, REVERSE LOCK ARM	1	
13	45250-94400	LINK, RELEASE	1	
14	45255-93001	RUBBER, RELEASE LEVER	1	
15	45261-92L00	LEVER, RELEASE	1	
16	09160-08091	WASHER (8.5X14X1.0)	1	
17	09200-05015	PIN (5X117)	1	
18	09200-08043	PIN (8X11)	1	
19	09204-01002	PIN	2	
20	09306-22006	BUSH	2	
21	09443-15031	SPRING	2	
22	09448-29018	SPRING	1	
23	43755-97E01	ATTACHMENT, STEERING BRACKET	1	
24	09100-10316	BOLT (10X25)	2	
25	09162-10005	LOCK WASHER	2	
26	43411-97E00	ADJUSTER, STEERING	1	
27	43412-93900	COVER, STEERING ADJUSTER	1	
28	09100-08309	BOLT (8X35)	1	
29	09160-08091	WASHER (8.5X14X1.0)	1	
30	29440-93J00	SPRING, STEERING ADJUSTER	1	

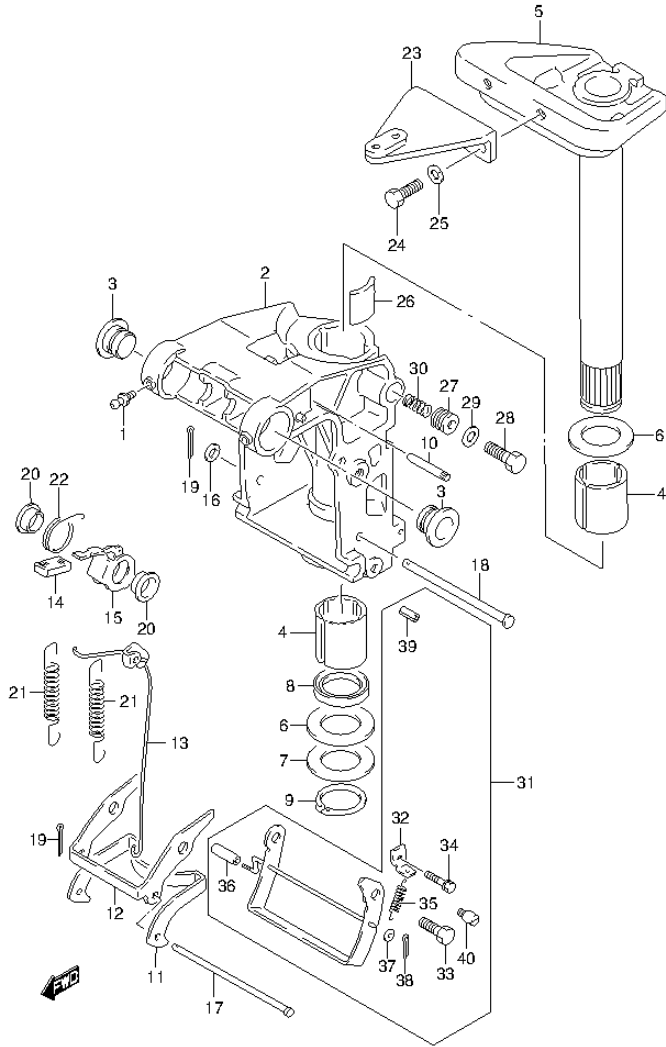


FIG.87

FIG.87 (1-H-13) SWIVEL BRACKET (DT40WR P40)

REF NO.	PART NO.	DESCRIPTION	Q'TY	REMARKS
31	45700-92L00	SHALLOW WATER DRIVE ASSY	1	OPT
32	45713-92L00	.STOPPER, SHALLOW WATER	1	OPT
33	09111-10045	.BOLT (10X20.8)	2	OPT
34	09117-06030	.BOLT (6X16)	1	OPT
35	09443-12039	.SPRING	1	OPT
36	45255-95500	.KNOB, RELEASE LEVER	1	OPT
37	09160-05029	.WASHER (5.5X12X0.8)	1	OPT
38	09204-01002	.PIN	1	OPT
39	09205-08002	.SPRING PIN (8X16)	1	OPT
40	45331-94610	.PIN, SHALLOW DRIVE	1	OPT

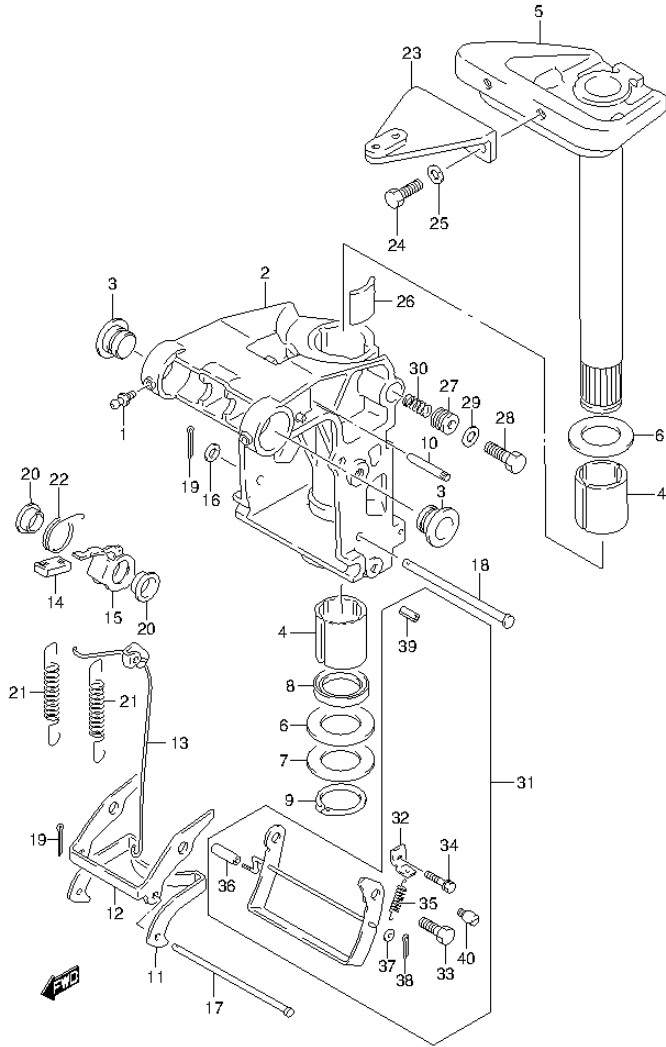


FIG.88

FIG.88 (1-H-14) SWIVEL BRACKET (DT40WR P90)

REF NO.	PART NO.	DESCRIPTION	Q'TY	REMARKS
1	22511-92L00	NIPPLE, GREASE	3	
2	43111-92L10-0EP	BRACKET, SWIVEL (BLACK)	1	
3	43211-87JL0	BUSH, SWIVEL BRACKET	2	
4	43711-92L00	BUSH, STEERING	2	
5	43750-92L20-0EP	BRACKET, STEERING (BLACK)	1	
6	09160-39001	WASHER (39.5X64X1)	3	
7	09181-39001	SHIM (39.5X64X0.3)	AR	
8	09282-39001	OIL SEAL (39X51X5)	1	
9	09380-38003	CIRCLIP	1	
10	41225-94502	PIN, RELEASE ARM	1	
11	45231-92L00	ARM, REVERSE LOCK	1	
12	45241-92L00	LINK, REVERSE LOCK ARM	1	
13	45250-94400	LINK, RELEASE	1	
14	45255-93001	RUBBER, RELEASE LEVER	1	
15	45261-92L00	LEVER, RELEASE	1	
16	09160-08091	WASHER (8.5X14X1.0)	1	
17	09200-05015	PIN (5X117)	1	
18	09200-08043	PIN (8X11)	1	
19	09204-01002	PIN	2	
20	09306-22006	BUSH	2	
21	09443-15031	SPRING	2	
22	09448-29018	SPRING	1	
23	43755-97E01	ATTACHMENT, STEERING BRACKET	1	
24	09100-10316	BOLT (10X25)	2	
25	09162-10005	LOCK WASHER	2	
26	43411-97E00	ADJUSTER, STEERING	1	
27	43412-93900	COVER, STEERING ADJUSTER	1	
28	09100-08309	BOLT (8X35)	1	
29	09160-08091	WASHER (8.5X14X1.0)	1	
30	29440-93J00	SPRING, STEERING ADJUSTER	1	
31	45255-95500	KNOB, RELEASE LEVER	1	
32	45713-92L00	STOPPER, SHALLOW WATER DRIVE	1	
33	09111-10067	BOLT	2	
34	09116-06225	BOLT (6X15)	1	

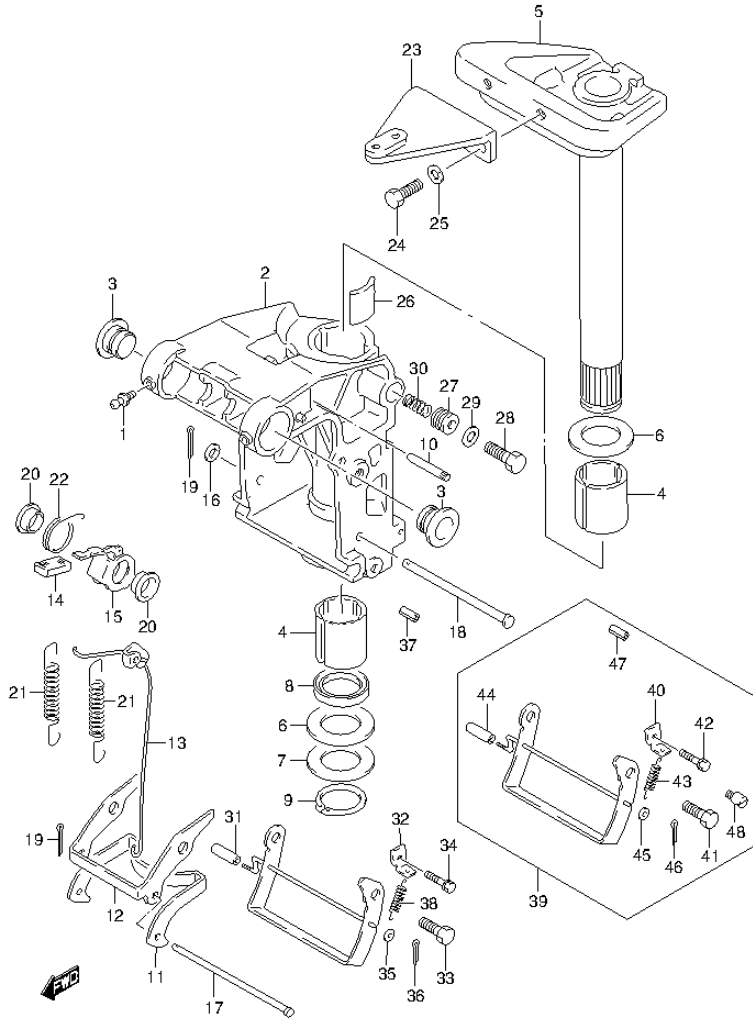


FIG.88

FIG.88 (1-H-15) SWIVEL BRACKET (DT40WR P90)

REF NO.	PART NO.	DESCRIPTION	Q'TY	REMARKS
35	09160-05029	WASHER (5.5X12X0.8)	1	
36	09204-01002	PIN	1	
37	09205-08002	SPRING PIN (8X16)	1	
38	09443-12039	SPRING	1	
39	45700-92L00	SHALLOW WATER DRIVE ASSY	1	OPT
40	45713-92L00	.STOPPER, SHALLOW WATER	1	OPT
41	09111-10045	.BOLT (10X20.8)	2	OPT
42	09117-06030	.BOLT (6X16)	1	OPT
43	09443-12039	.SPRING	1	OPT
44	45255-95500	.KNOB, RELEASE LEVER	1	OPT
45	09160-05029	.WASHER (5.5X12X0.8)	1	OPT
46	09204-01002	.PIN	1	OPT
47	09205-08002	.SPRING PIN (8X16)	1	OPT
48	45331-94610	.PIN, SHALLOW DRIVE	1	OPT

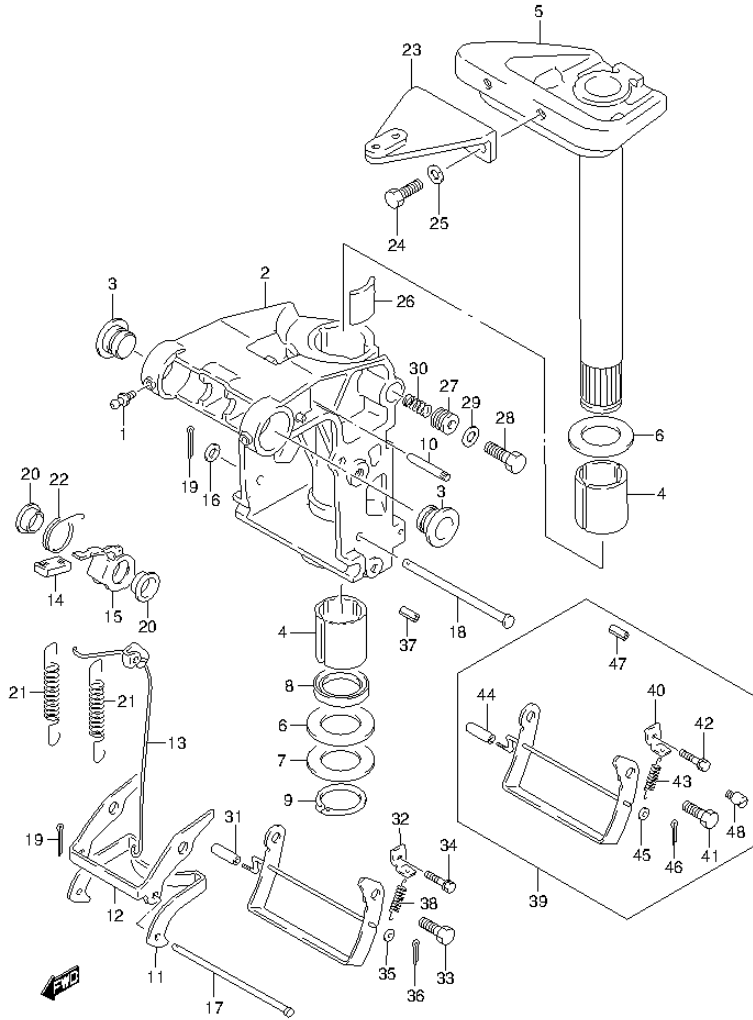


FIG.89

FIG.89 (1-1-2) SWIVEL BRACKET (DT40WK P40)

REF NO.	PART NO.	DESCRIPTION	Q'TY	REMARKS
1	22511-92L00	NIPPLE, GREASE	3	
2	43111-92L10-0EP	BRACKET, SWIVEL (BLACK)	1	
3	43211-87JL0	BUSH, SWIVEL BRACKET	2	
4	43711-92L00	BUSH, STEERING	2	
5	43750-92L20-0EP	BRACKET, STEERING (BLACK)	1	
6	09160-39001	WASHER (39.5X64X1)	3	
7	09181-39001	SHIM (39.5X64X0.3)	AR	
8	09282-39001	OIL SEAL (39X51X5)	1	
9	09380-38003	CIRCLIP	1	
10	41225-94502	PIN, RELEASE ARM	1	
11	45231-92L00	ARM, REVERSE LOCK	1	
12	45241-92L00	LINK, REVERSE LOCK ARM	1	
13	45250-94400	LINK, RELEASE	1	
14	45255-93001	RUBBER, RELEASE LEVER	1	
15	45261-92L00	LEVER, RELEASE	1	
16	09160-08091	WASHER (8.5X14X1.0)	1	
17	09200-05015	PIN (5X117)	1	
18	09200-08043	PIN (8X11)	1	
19	09204-01002	PIN	2	
20	09306-22006	BUSH	2	
21	09443-15031	SPRING	2	
22	09448-29018	SPRING	1	
23	43411-97E00	ADJUSTER, STEERING	1	
24	43412-93900	COVER, STEERING ADJUSTER	1	
25	09100-08309	BOLT (8X35)	1	
26	09160-08091	WASHER (8.5X14X1.0)	1	
27	29440-93J00	SPRING, STEERING ADJUSTER	1	

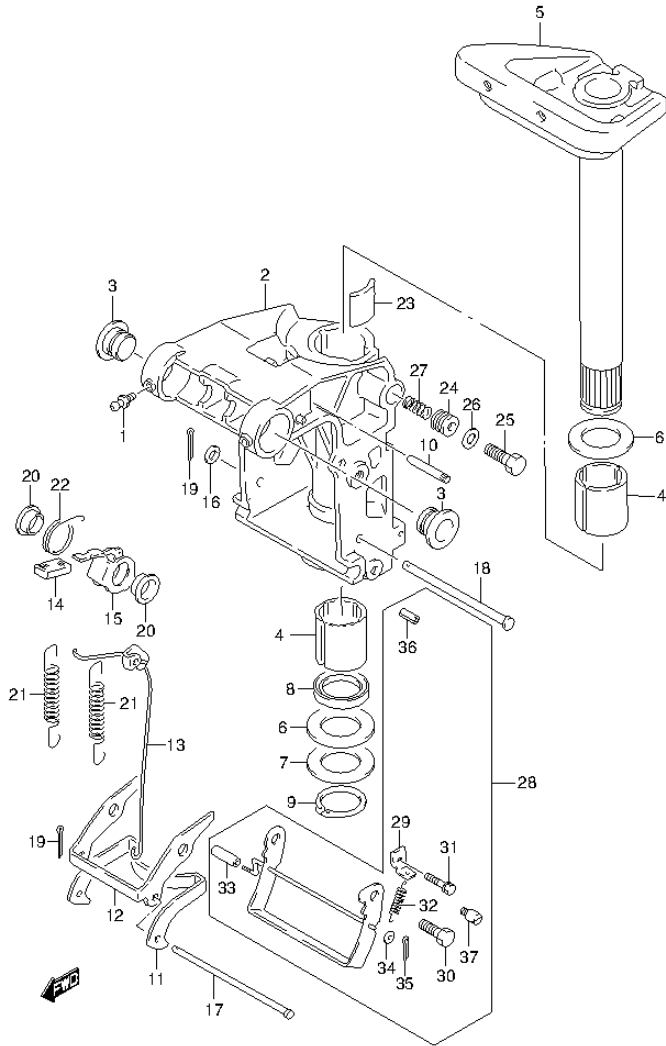


FIG.89

FIG.89 (1-1-3) SWIVEL BRACKET (DT40WK P40)

REF NO.	PART NO.	DESCRIPTION	Q'TY	REMARKS
28	45700-92L00	SHALLOW WATER DRIVE ASSY	1	OPT
29	45713-92L00	.STOPPER, SHALLOW WATER	1	OPT
30	09111-10045	.BOLT (10X20.8)	2	OPT
31	09117-06030	.BOLT (6X16)	1	OPT
32	09443-12039	.SPRING	1	OPT
33	45255-95500	.KNOB, RELEASE LEVER	1	OPT
34	09160-05029	.WASHER (5.5X12X0.8)	1	OPT
35	09204-01002	.PIN	1	OPT
36	09205-08002	.SPRING PIN (8X16)	1	OPT
37	45331-94610	.PIN, SHALLOW DRIVE	1	OPT

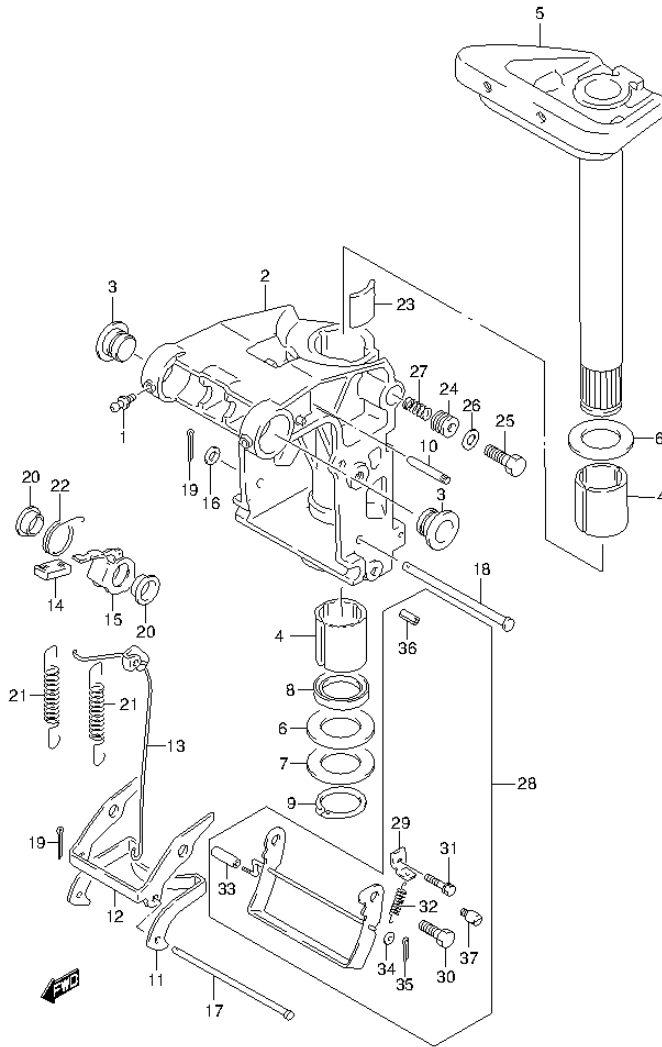


FIG.90

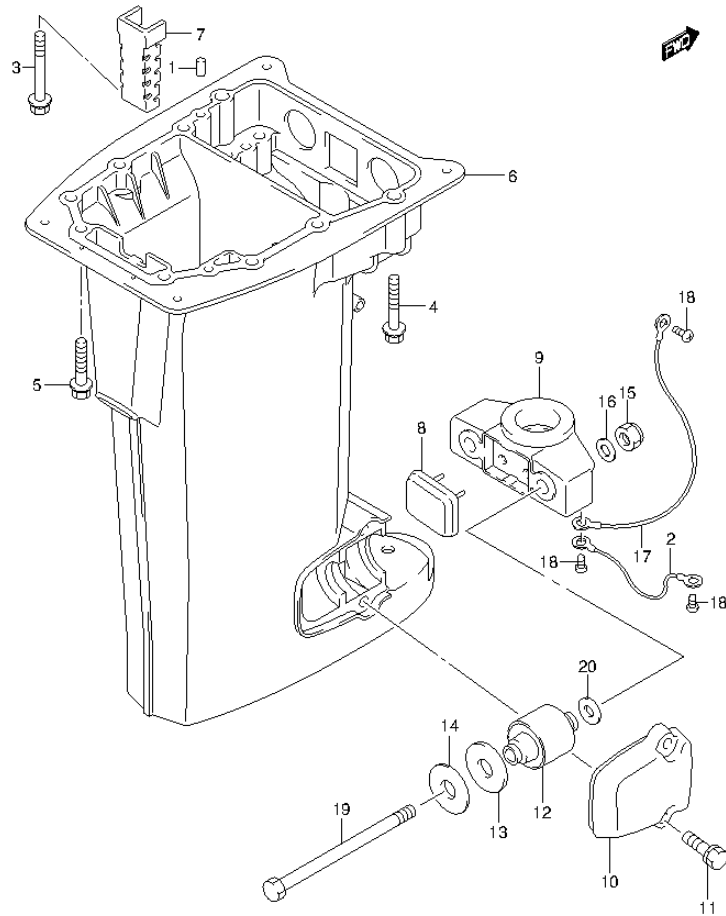


FIG.90 (1-1-4) DRIVE SHAFT HOUSING (DT40W P40)

REF NO.	PART NO.	DESCRIPTION	Q'TY	REMARKS
1	09202-06031	PIN (6X12)	2	
2	36894-95201	LEAD (L:165)	1	
3	09118-08172	BOLT (8X85)	1	
4	09118-08171	BOLT (8X75)	2	
5	09118-08168	BOLT (8X50)	6	
6-1	52110-92L30-0EP	HOUSING, DRIVE SHAFT (S)	1	W/TRANSOM(S)
6-2	52110-92L50-0EP	52110-92L50-0EP	1	W/TRANSOM(L)
6-3	52110-92L40-0EP	HOUSING, DRIVE SHAFT (L2)	1	W/TRANSOM(L2)
7	11435-94400	PLATE, EXHAUST RELEASE	1	
8	54151-99E00	MOUNT, LOWER THRUST	1	
9	54211-92L00-0EP	BRACKET, LOWER MOUNT (BLACK)	1	
10	54221-92L10-0EP	COVER, LOWER MOUNT (BLACK)	2	
11	09116-08153	BOLT (8X35)	4	
12-1	54160-94410	MOUNT, LOWER	2	W/TRANSOM(S) W/TRANSOM(L)
12-2	54160-92L00	MOUNT, LOWER	2	W/TRANSOM(L2)
13	54165-94400	DAMPER, REVERSE STOP, LOWER	2	
14	09160-13018	WASHER (13X40X3)	2	
15	09159-12L03	NUT	2	
16	09160-12066	WASHER (12.5X22X2.5)	2	
17	36894-94401	LEAD (L:195)	1	
18	29125-93J10	SCREW	3	
19	09100-12123	BOLT (12X125)	2	
20	09160-12108	WASHER (12X28X1)	2	

FIG.91

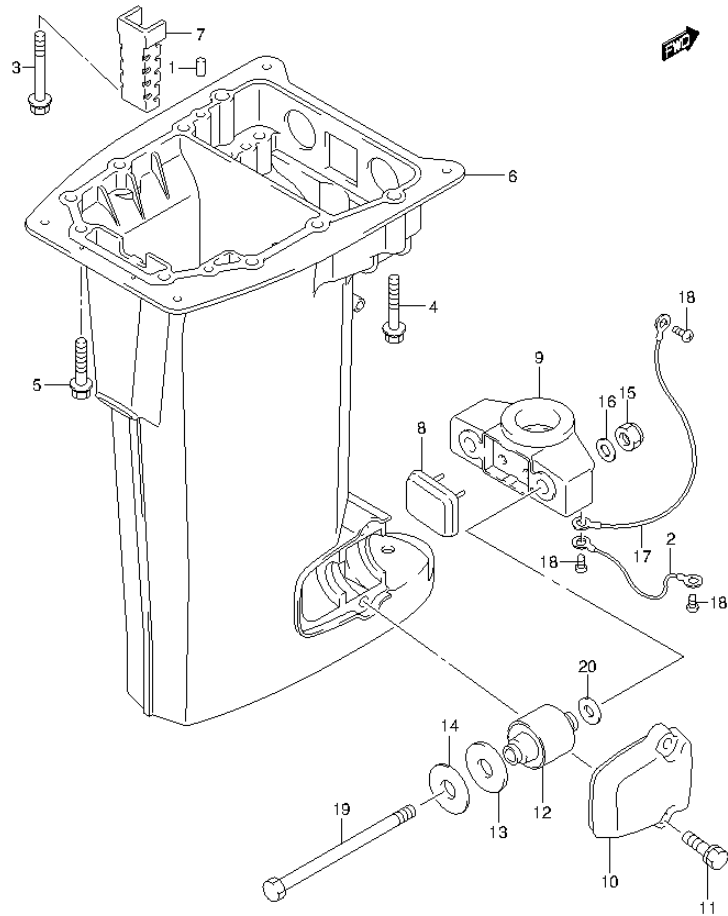


FIG.91 (1-1-5) DRIVE SHAFT HOUSING (DT40W P90)

REF NO.	PART NO.	DESCRIPTION	Q'TY	REMARKS
1	09202-06031	PIN (6X12)	2	
2	36894-95201	LEAD (L:165)	1	
3	09118-08172	BOLT (8X85)	1	
4	09118-08171	BOLT (8X75)	2	
5	09118-08168	BOLT (8X50)	6	
6	52110-92L30-0EP	HOUSING, DRIVE SHAFT (S)	1	
7	11435-94400	PLATE, EXHAUST RELEASE	1	
8	54151-99E00	MOUNT, LOWER THRUST	1	
9	54211-92L00-0EP	BRACKET, LOWER MOUNT (BLACK)	1	
10	54221-92L10-0EP	COVER, LOWER MOUNT (BLACK)	2	
11	09116-08153	BOLT (8X35)	4	
12	54160-94410	MOUNT, LOWER	2	
13	54165-94400	DAMPER, REVERSE STOP, LOWER	2	
14	09160-13018	WASHER (13X40X3)	2	
15	09159-12L03	NUT	2	
16	09160-12066	WASHER (12.5X22X2.5)	2	
17	36894-94401	LEAD (L:195)	1	
18	29125-93J10	SCREW	3	
19	09100-12123	BOLT (12X125)	2	
20	09160-12108	WASHER (12X28X1)	2	

FIG.92

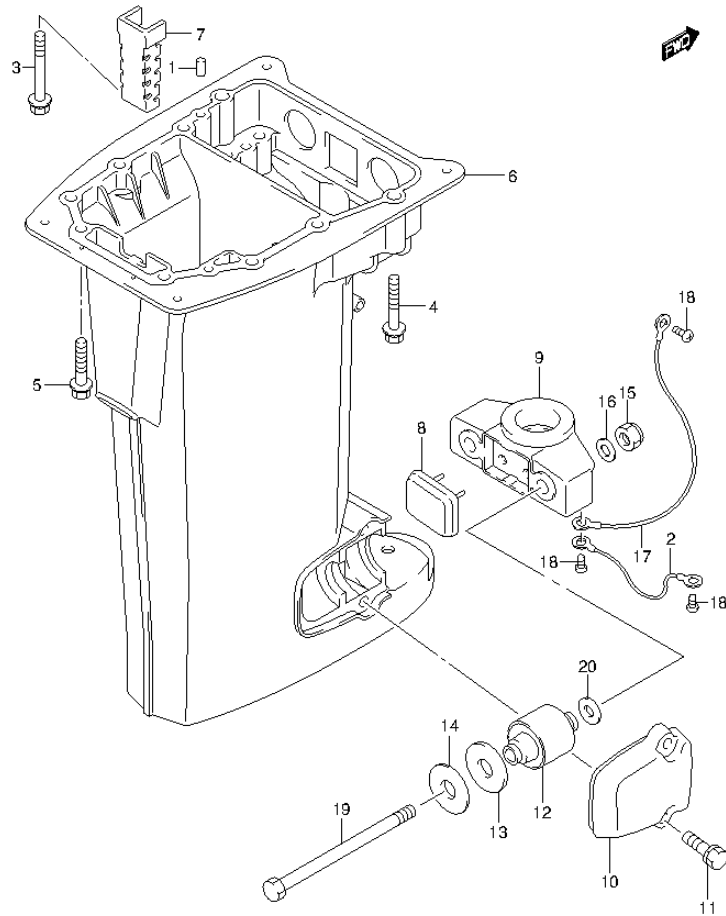


FIG.92 (1-I-6) DRIVE SHAFT HOUSING (DT40WR P40)

REF NO.	PART NO.	DESCRIPTION	Q'TY	REMARKS
1	09202-06031	PIN (6X12)	2	
2	36894-95201	LEAD (L:165)	1	
3	09118-08172	BOLT (8X85)	1	
4	09118-08171	BOLT (8X75)	2	
5	09118-08168	BOLT (8X50)	6	
6-1	52110-92L50-0EP	HOUSING, DRIVE SHAFT (L)	1	W/TRANSOM(L)
6-2	52110-92L40-0EP	HOUSING, DRIVE SHAFT (L2)	1	W/TRANSOM(L2)
7	11435-94400	PLATE, EXHAUST RELEASE	1	
8	54151-99E00	MOUNT, LOWER THRUST	1	
9	54211-92L00-0EP	BRACKET, LOWER MOUNT (BLACK)	1	
10	54221-92L10-0EP	COVER, LOWER MOUNT (BLACK)	2	
11	09116-08153	BOLT (8X35)	4	
12-1	54160-94410	MOUNT, LOWER	2	W/TRANSOM(L)
12-2	54160-92L00	MOUNT, LOWER	2	W/TRANSOM(L2)
13	54165-94400	DAMPER, REVERSE STOP, LOWER	2	
14	09160-13018	WASHER (13X40X3)	2	
15	09159-12L03	NUT	2	
16	09160-12066	WASHER (12.5X22X2.5)	2	
17	36894-94401	LEAD (L:195)	1	
18	29125-93J10	SCREW	3	
19	09100-12123	BOLT (12X125)	2	
20	09160-12108	WASHER (12X28X1)	2	

FIG.93

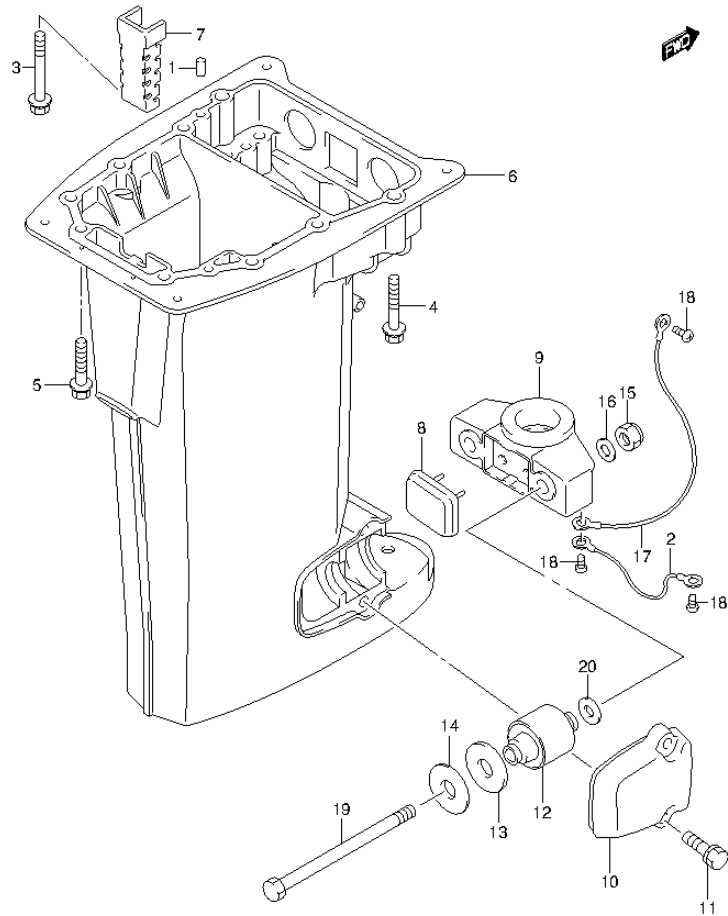


FIG.93 (1-I-7) DRIVE SHAFT HOUSING (DT40WR P90)

REF NO.	PART NO.	DESCRIPTION	Q'TY	REMARKS
1	09202-06031	PIN (6X12)	2	
2	36894-95201	LEAD (L:165)	1	
3	09118-08172	BOLT (8X85)	1	
4	09118-08171	BOLT (8X75)	2	
5	09118-08168	BOLT (8X50)	6	
6	52110-92L30-0EP	HOUSING, DRIVE SHAFT (S)	1	
7	11435-94400	PLATE, EXHAUST RELEASE	1	
8	54151-99E00	MOUNT, LOWER THRUST	1	
9	54211-92L00-0EP	BRACKET, LOWER MOUNT (BLACK)	1	
10	54221-92L10-0EP	COVER, LOWER MOUNT (BLACK)	2	
11	09116-08153	BOLT (8X35)	4	
12	54160-94410	MOUNT, LOWER	2	
13	54165-94400	DAMPER, REVERSE STOP, LOWER	2	
14	09160-13018	WASHER (13X40X3)	2	
15	09159-12L03	NUT	2	
16	09160-12066	WASHER (12.5X22X2.5)	2	
17	36894-94401	LEAD (L:195)	1	
18	29125-93J10	SCREW	3	
19	09100-12123	BOLT (12X125)	2	
20	09160-12108	WASHER (12X28X1)	2	

FIG.94

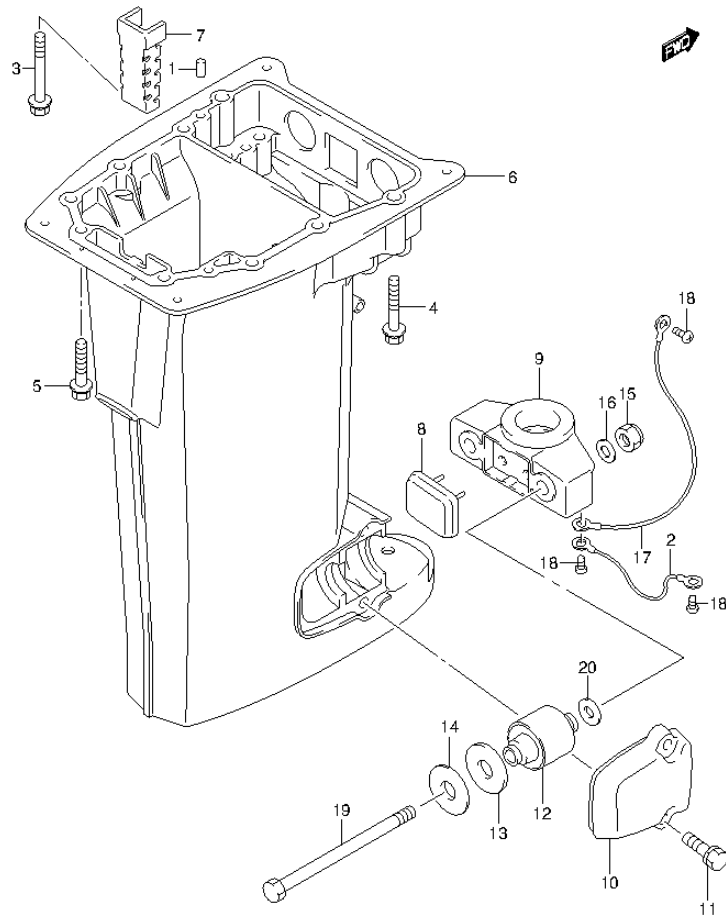


FIG.94 (1-I-8) DRIVE SHAFT HOUSING (DT40WK P40)

REF NO.	PART NO.	DESCRIPTION	Q'TY	REMARKS
1	09202-06031	PIN (6X12)	2	
2	36894-95201	LEAD (L:165)	1	
3	09118-08172	BOLT (8X85)	1	
4	09118-08171	BOLT (8X75)	2	
5	09118-08168	BOLT (8X50)	6	
6-1	52110-92L30-0EP	HOUSING, DRIVE SHAFT (S)	1	W/TRANSOM(S)
6-2	52110-92L50-0EP	HOUSING, DRIVE SHAFT (L)	1	W/TRANSOM(L)
6-3	52110-92L40-0EP	HOUSING, DRIVE SHAFT (L2)	1	W/TRANSOM(L2)
7	11435-94400	PLATE, EXHAUST RELEASE	1	
8	54151-99E00	MOUNT, LOWER THRUST	1	
9	54211-92L00-0EP	BRACKET, LOWER MOUNT (BLACK)	1	
10	54221-92L10-0EP	COVER, LOWER MOUNT (BLACK)	2	
11	09116-08153	BOLT (8X35)	4	
12-1	54160-94410	MOUNT, LOWER	2	W/TRANSOM(S) W/TRANSOM(L)
12-2	54160-92L00	MOUNT, LOWER	2	W/TRANSOM(L2)
13	54165-94400	DAMPER, REVERSE STOP, LOWER	2	
14	09160-13018	WASHER (13X40X3)	2	
15	09159-12L03	NUT	2	
16	09160-12066	WASHER (12.5X22X2.5)	2	
17	36894-94401	LEAD (L:195)	1	
18	29125-93J10	SCREW	3	
19	09100-12123	BOLT (12X125)	2	
20	09160-12108	WASHER (12X28X1)	2	

FIG.95

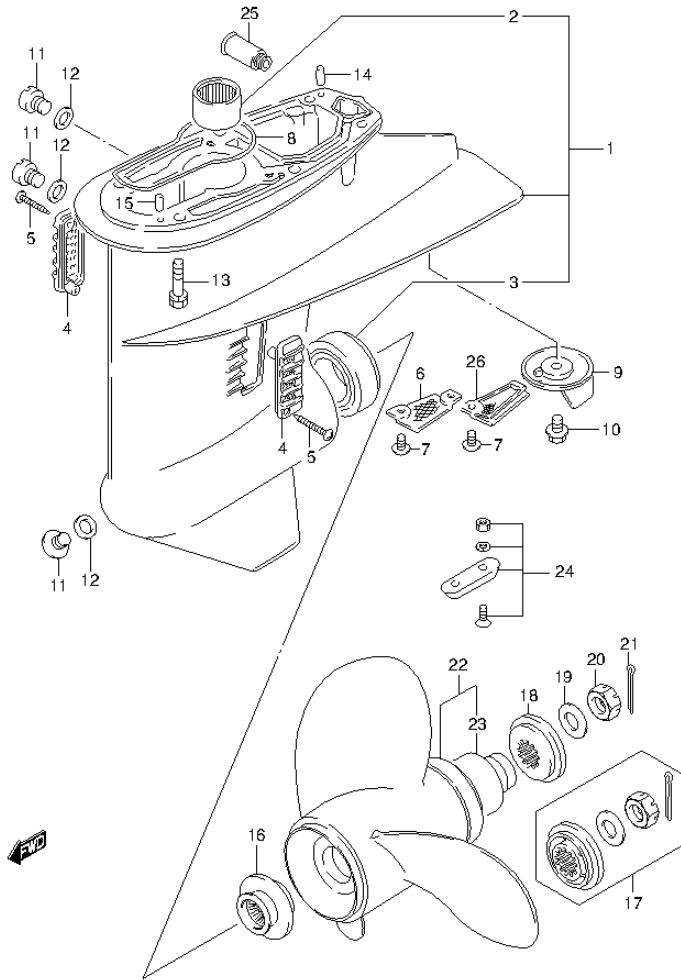


FIG.95 (1-I-9) GEAR CASE

REF NO.	PART NO.	DESCRIPTION	Q'TY	REMARKS
1	55100-92L20-OEP	CASE ASSY, GEAR (BLACK)	1	
2	09263-22L03	.BEARING (22X30X30)	1	
3	09265-30L01	.BEARING (30X62X17.25)	1	
4	17631-91L00	FILTER, WATER	2	
5	03142-04309	SCREW	2	
6	17635-87E00	FILTER, SUB WATER	1	
7	09125-05046	SCREW (5X12)	2	
8	55122-88L00	RING, GEAR CASE SEAL	1	
9	55125-92L00	TAB, TRIM	1	
10	09116-08147	BOLT (8X16)	1	
11	09248-10008	PLUG (10X7.5)	3	
12	09168-10022	GASKET (10X17X1.5)	3	
13	09116-08155	BOLT (8X45)	6	
14	09202-06027	PIN (6X23)	1	
15	09202-06025	PIN (6X17)	1	
16	57632-92L00	STOPPER, PROPELLER BUSH	1	
17	57630-94300	PROPELLER NUT KIT	1	OPT
18	57633-92L00	SPACER, PROPELLER NUT	1	
19	09160-18028	WASHER (18.5X31X1)	1	
20	09141-18005	NUT	1	
21	09204-03003	COTTER PIN	1	
22-1	58100-88LL0-019	PROPELLER (3X11-1/2X10)	1	
22-2	58100-88LM0-019	PROPELLER (3X11-1/2X11)	1	
22-3	58100-92L20-019	PROPELLER (3X11-5/8X12)	1	
22-4	58100-92L30-019	PROPELLER (3X11-1/2X13)	1	
22-5	58100-88LN0-019	PROPELLER (3X11-3/8X14)	1	
22-6	58100-88LP0-019	PROPELLER (3X11-1/4X15)	1	
23	58120-92L00	.BUSH, PROPELLER	1	
24	55300-95500	ZINC, PROTECTION	1	OPT
25	55181-95200	ATTACHMENT, FLUSH HOSE	1	OPT
26	17635-87E10	PLATE, GEAR CASE	1	OPT
27	25700-88L00	KIT, GEAR CASE RE-SEALING	1	OPT
				NOT ILLUSTRATED

FIG.96

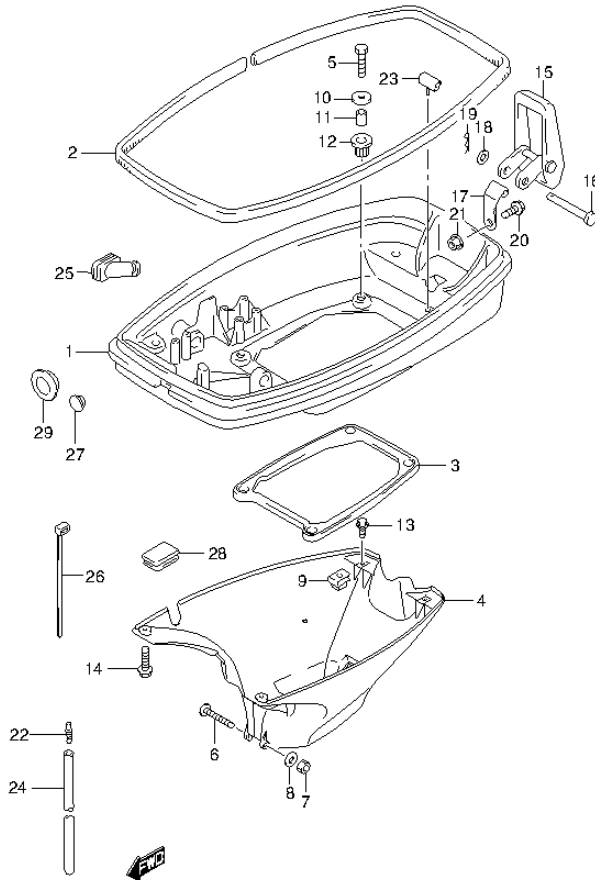


FIG.96 (1-I-10) LOWER COVER (DT40W P40)

REF NO.	PART NO.	DESCRIPTION	Q'TY	REMARKS
1	61111-92L10-0EP	COVER, ENGINE LOWER (BLACK)	1	
2	61112-92L00	RUBBER, ENGINE LOWER COVER	1	
3	61113-92L00	SEAL, ENGINE LOWER COVER	1	
4	61131-92L00-RB4	COVER, ENGINE HOLDER (BLACK)	1	
5	09100-06175	BOLT (6X30)	4	
6	09125-05129	SCREW (5X50)	1	
7	09159-05042	NUT	1	
8	09160-05029	WASHER (5.5X12X0.8)	1	
9	09148-06017	NUT	2	
10	09160-06104	WASHER (6.5X24X2)	4	
11	09180-06295	SPACER (6.5X10X16)	4	
12	09320-10035	CUSHION	4	
13	09136-06145	BOLT (6X20)	2	
14	09116-06223	BOLT (6X12)	2	
15	61610-90L00	FASTENER	1	
16	61616-93EL0	PIN, LEVER	1	
17	61642-93902	HOLDER, FASTENER LEVER	1	
18	09161-04012	WASHER (4.2X11X1)	1	
19	09385-04003	CLIP	1	
20	09116-06227	BOLT (6X20)	1	
21	08310-00067	NUT	1	
22	61155-94400	TUBE, WATER INSPECTION	1	
23	61138-944L0	COVER, WATER	3	
24	09352-50903-600	HOSE (5X9X600)	1	L:600->50
25	33811-94400	GROMMET, STARTER CABLE	1	W/ELECTRIC STARTER
26	09407-25402	CLAMP (L:248)	1	W/ELECTRIC STARTER
27	09250-12006	CAP (OD:20)	1	OIL LAMP HOLE
28-1	39669-94400	PLUG, LOWER COVER	1	W/ELECTRIC STARTER
28-2	39669-94400	PLUG, LOWER COVER	2	W/MANUAL STARTER
29	09250-33001	CAP (OD:40)	1	W/MANUAL STARTER

FIG.97

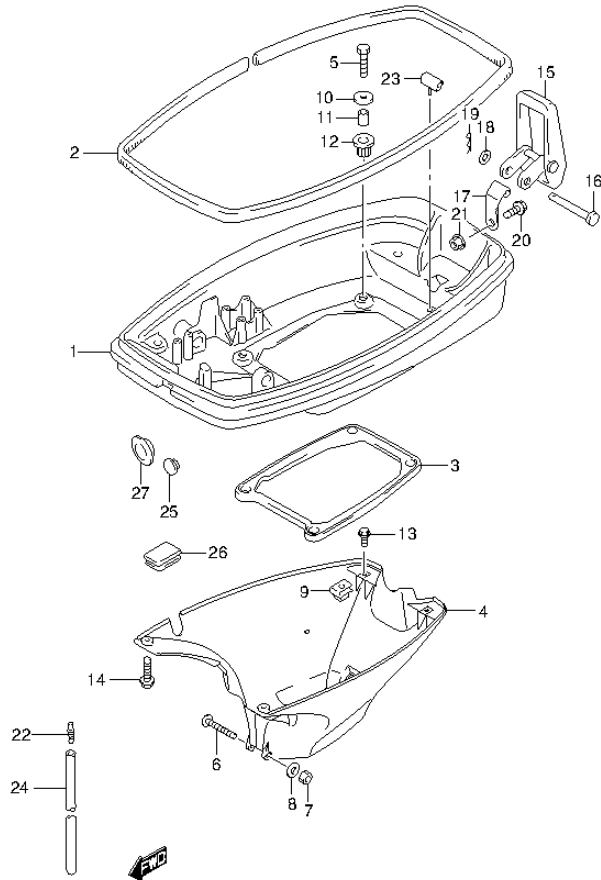


FIG.97 (1-1-11) LOWER COVER (DT40W P90)

REF NO.	PART NO.	DESCRIPTION	Q'TY	REMARKS
1	61111-92L10-0EP	COVER, ENGINE LOWER (BLACK)	1	
2	61112-92L00	RUBBER, ENGINE LOWER COVER	1	
3	61113-92L00	SEAL, ENGINE LOWER COVER	1	
4	61131-92L00-RB4	COVER, ENGINE HOLDER (BLACK)	1	
5	09100-06175	BOLT (6X30)	4	
6	09125-05129	SCREW (5X50)	1	
7	09159-05042	NUT	1	
8	09160-05029	WASHER (5.5X12X0.8)	1	
9	09148-06017	NUT	2	
10	09160-06104	WASHER (6.5X24X2)	4	
11	09180-06295	SPACER (6.5X10X16)	4	
12	09320-10035	CUSHION	4	
13	09136-06145	BOLT (6X20)	2	
14	09116-06223	BOLT (6X12)	2	
15	61610-90L00	FASTENER	1	
16	61616-93E0	PIN, LEVER	1	
17	61642-93902	HOLDER, FASTENER LEVER	1	
18	09161-04012	WASHER (4.2X11X1)	1	
19	09385-04003	CLIP	1	
20	09116-06227	BOLT (6X20)	1	
21	08310-00067	NUT	1	
22	61155-94400	TUBE, WATER INSPECTION	1	
23	61138-944L0	COVER, WATER	3	
24	09352-50903-600	HOSE (5X9X600)	1	L:600->50
25	09250-12006	CAP (OD:20)	1	OIL LAMP HOLE
26	39669-94400	PLUG, LOWER COVER	2	
27	09250-33001	CAP (OD:40)	1	

FIG.98

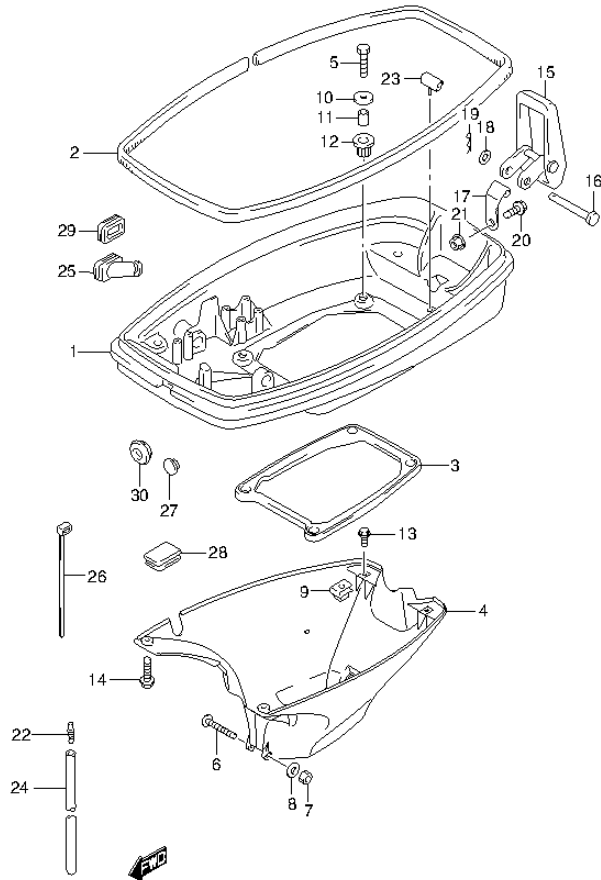


FIG.98 (1-I-12) LOWER COVER (DT40WR P40)

REF NO.	PART NO.	DESCRIPTION	Q'TY	REMARKS
1	61111-92L10-0EP	COVER, ENGINE LOWER (BLACK)	1	
2	61112-92L00	RUBBER, ENGINE LOWER COVER	1	
3	61113-92L00	SEAL, ENGINE LOWER COVER	1	
4	61131-92L00-RB4	COVER, ENGINE HOLDER (BLACK)	1	
5	09100-06175	BOLT (6X30)	4	
6	09125-05129	SCREW (5X50)	1	
7	09159-05042	NUT	1	
8	09160-05029	WASHER (5.5X12X0.8)	1	
9	09148-06017	NUT	2	
10	09160-06104	WASHER (6.5X24X2)	4	
11	09180-06295	SPACER (6.5X10X16)	4	
12	09320-10035	CUSHION	4	
13	09136-06145	BOLT (6X20)	2	
14	09116-06223	BOLT (6X12)	2	
15	61610-90L00	FASTENER	1	
16	61616-93EL0	PIN, LEVER	1	
17	61642-93902	HOLDER, FASTENER LEVER	1	
18	09161-04012	WASHER (4.2X11X1)	1	
19	09385-04003	CLIP	1	
20	09116-06227	BOLT (6X20)	1	
21	08310-00067	NUT	1	
22	61155-94400	TUBE, WATER INSPECTION	1	
23	61138-944L0	COVER, WATER	3	
24	09352-50903-600	HOSE (5X9X600)	1	L:600->50
25	33811-94400	GROMMET, STARTER CABLE	1	
26	09407-25402	CLAMP (L:248)	1	
27	09250-12006	CAP (OD:20)	1	OIL LAMP HOLE
28	39669-94400	PLUG, LOWER COVER	1	
29	63625-94300	CAP, THROTTLE CABLE	1	
30	09250-16008	PLUG (OD:24)	1	

FIG.99

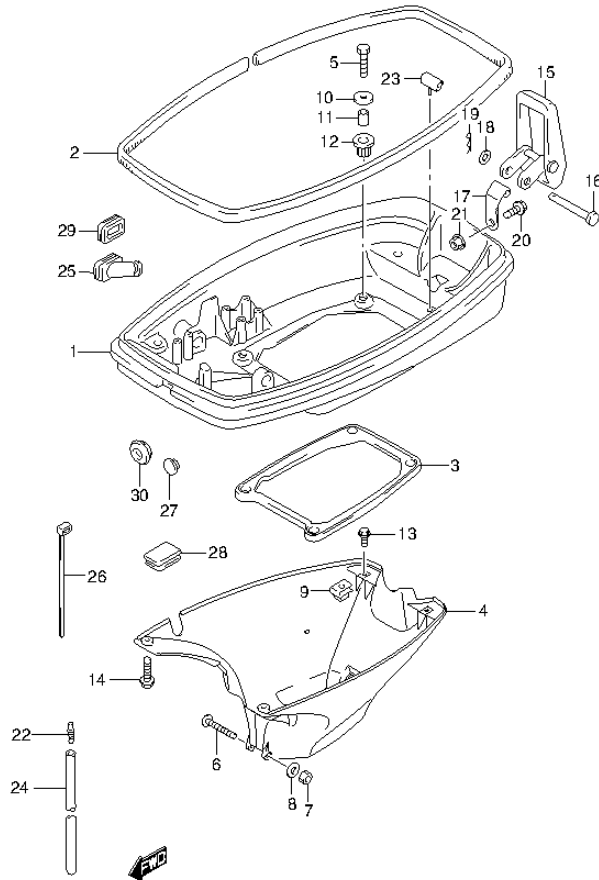


FIG.99 (1-I-13) LOWER COVER (DT40WR P90)

REF NO.	PART NO.	DESCRIPTION	Q'TY	REMARKS
1	61111-92L10-0EP	COVER, ENGINE LOWER (BLACK)	1	
2	61112-92L00	RUBBER, ENGINE LOWER COVER	1	
3	61113-92L00	SEAL, ENGINE LOWER COVER	1	
4	61131-92L00-RB4	COVER, ENGINE HOLDER (BLACK)	1	
5	09100-06175	BOLT (6X30)	4	
6	09125-05129	SCREW (5X50)	1	
7	09159-05042	NUT	1	
8	09160-05029	WASHER (5.5X12X0.8)	1	
9	09148-06017	NUT	2	
10	09160-06104	WASHER (6.5X24X2)	4	
11	09180-06295	SPACER (6.5X10X16)	4	
12	09320-10035	CUSHION	4	
13	09136-06145	BOLT (6X20)	2	
14	09116-06223	BOLT (6X12)	2	
15	61610-90L00	FASTENER	1	
16	61616-93EL0	PIN, LEVER	1	
17	61642-93902	HOLDER, FASTENER LEVER	1	
18	09161-04012	WASHER (4.2X11X1)	1	
19	09385-04003	CLIP	1	
20	09116-06227	BOLT (6X20)	1	
21	08310-00067	NUT	1	
22	61155-94400	TUBE, WATER INSPECTION	1	
23	61138-944L0	COVER, WATER	3	
24	09352-50903-600	HOSE (5X9X600)	1	L:600->50
25	33811-94400	GROMMET, STARTER CABLE	1	
26	09407-25402	CLAMP (L:248)	1	
27	09250-12006	CAP (OD:20)	1	OIL LAMP HOLE
28	39669-94400	PLUG, LOWER COVER	1	
29	63625-94300	CAP, THROTTLE CABLE	1	
30	09250-16008	PLUG (OD:24)	1	

FIG.100

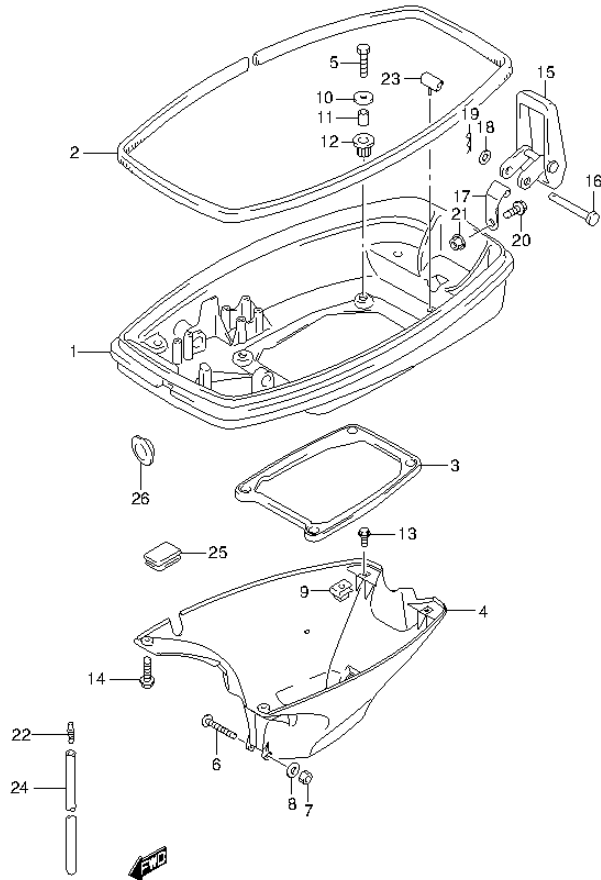


FIG.100 (1-I-14) LOWER COVER (DT40WK P40)

REF NO.	PART NO.	DESCRIPTION	Q'TY	REMARKS
1	61111-92L10-0EP	COVER, ENGINE LOWER (BLACK)	1	
2	61112-92L00	RUBBER, ENGINE LOWER COVER	1	
3	61113-92L00	SEAL, ENGINE LOWER COVER	1	
4	61131-92L00-RB4	COVER, ENGINE HOLDER (BLACK)	1	
5	09100-06175	BOLT (6X30)	4	
6	09125-05129	SCREW (5X50)	1	
7	09159-05042	NUT	1	
8	09160-05029	WASHER (5.5X12X0.8)	1	
9	09148-06017	NUT	2	
10	09160-06104	WASHER (6.5X24X2)	4	
11	09180-06295	SPACER (6.5X10X16)	4	
12	09320-10035	CUSHION	4	
13	09136-06145	BOLT (6X20)	2	
14	09116-06223	BOLT (6X12)	2	
15	61610-90L00	FASTENER	1	
16	61616-93E0	PIN, LEVER	1	
17	61642-93902	HOLDER, FASTENER LEVER	1	
18	09161-04012	WASHER (4.2X11X1)	1	
19	09385-04003	CLIP	1	
20	09116-06227	BOLT (6X20)	1	
21	08310-00067	NUT	1	
22	61155-94400	TUBE, WATER INSPECTION	1	
23	61138-944L0	COVER, WATER	3	
24	09352-50903-600	HOSE (5X9X600)	1	L:600->50
25	39669-94400	PLUG, LOWER COVER	2	
26	09250-33001	CAP (OD:40)	1	

FIG.101

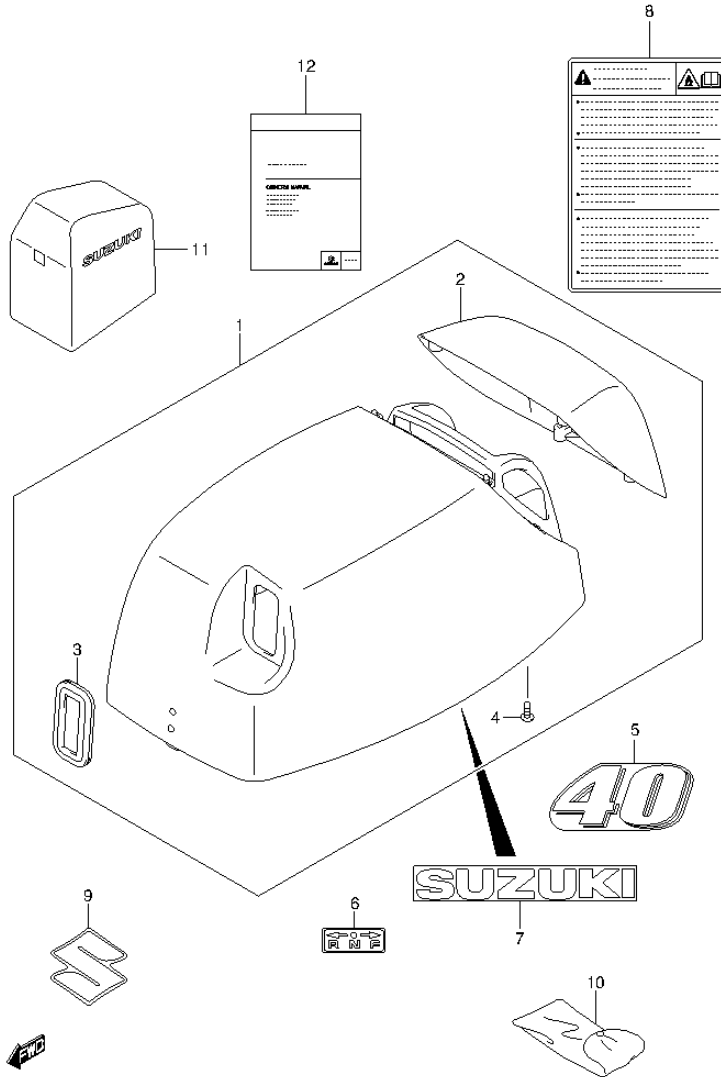


FIG.101 (1-I-15) ENGINE COVER (DT40W P40)

REF NO.	PART NO.	DESCRIPTION	Q'TY	REMARKS
1	61400-92L00-OEP	COVER SET, ENGINE (BLACK)	1	
2	61431-92L00-OEP	.HANDLE, TILT UP (BLACK)	1	
3	61622-95500	.SEAL, RECOIL STARTER	1	
4	03542-06169	.SCREW	4	
5	61435-944A1	MARK, EMBLEM REAR	1	
6	21131-96010	MARK, CLUTCH SHIFT	1	
7	61441-91L00	MARK, SUZUKI	2	
8	61458-89L00	LABEL, ENGINE COVER	1	
9	68111-99J00	EMBLEM, "S"	1	
10	59800-90L00	TOOL ASSY	1	
11	68110-87L00	COVER, WEATHER	1	OPT
12	99011-92L20-063	MANUAL, OWNER'S	1	

FIG.102

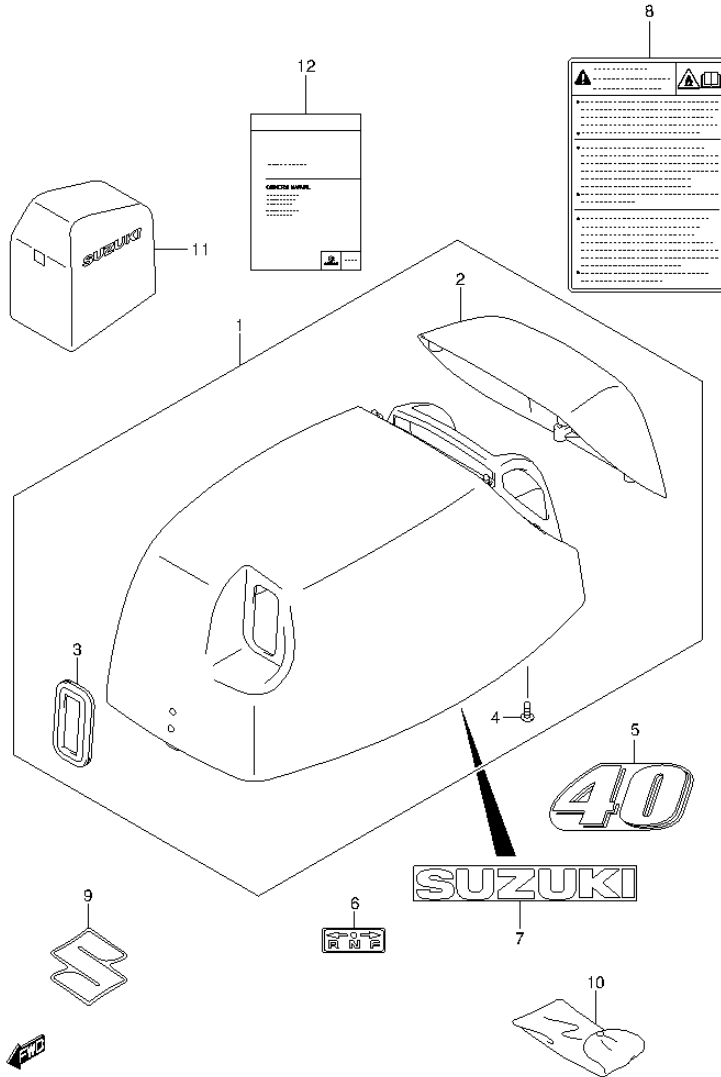


FIG.102 (1-J-2) ENGINE COVER (DT40W P90)

REF NO.	PART NO.	DESCRIPTION	Q'TY	REMARKS
1	61400-92L00-OEP	COVER SET, ENGINE (BLACK)	1	
2	61431-92L00-OEP	.HANDLE, TILT UP (BLACK)	1	
3	61622-95500	.SEAL, RECOIL STARTER	1	
4	03542-06169	.SCREW	4	
5	61435-944A1	MARK, EMBLEM REAR	1	
6	21131-96010	MARK, CLUTCH SHIFT	1	
7	61441-91L00	MARK, SUZUKI	2	
8	61458-89L00	LABEL, ENGINE COVER	1	
9	68111-99J00	EMBLEM, "S"	1	
10	59800-90L00	TOOL ASSY	1	
11	68110-87L00	COVER, WEATHER	1	OPT
12	99011-92L20-063	MANUAL, OWNER'S	1	

FIG.103

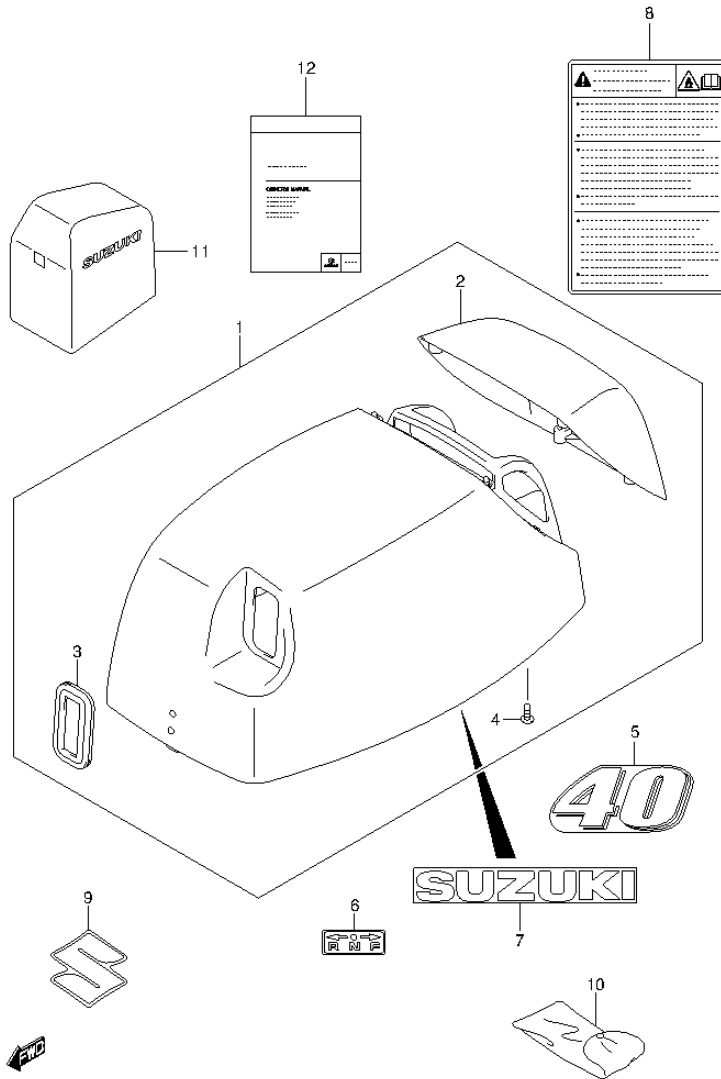


FIG.103 (1-J-3) ENGINE COVER (DT40WR P40)

REF NO.	PART NO.	DESCRIPTION	Q'TY	REMARKS
1	61400-92L00-OEP	COVER SET, ENGINE (BLACK)	1	
2	61431-92L00-OEP	.HANDLE, TILT UP (BLACK)	1	
3	61622-95500	.SEAL, RECOIL STARTER	1	
4	03542-06169	.SCREW	4	
5	61435-944A1	MARK, EMBLEM REAR	1	
6	21131-96010	MARK, CLUTCH SHIFT	1	
7	61441-91L00	MARK, SUZUKI	2	
8	61458-89L00	LABEL, ENGINE COVER	1	
9	68111-99J00	EMBLEM, "S"	1	
10	59800-90L00	TOOL ASSY	1	
11	68110-87L00	COVER, WEATHER	1	OPT
12	99011-92L20-063	MANUAL, OWNER'S	1	

FIG.104

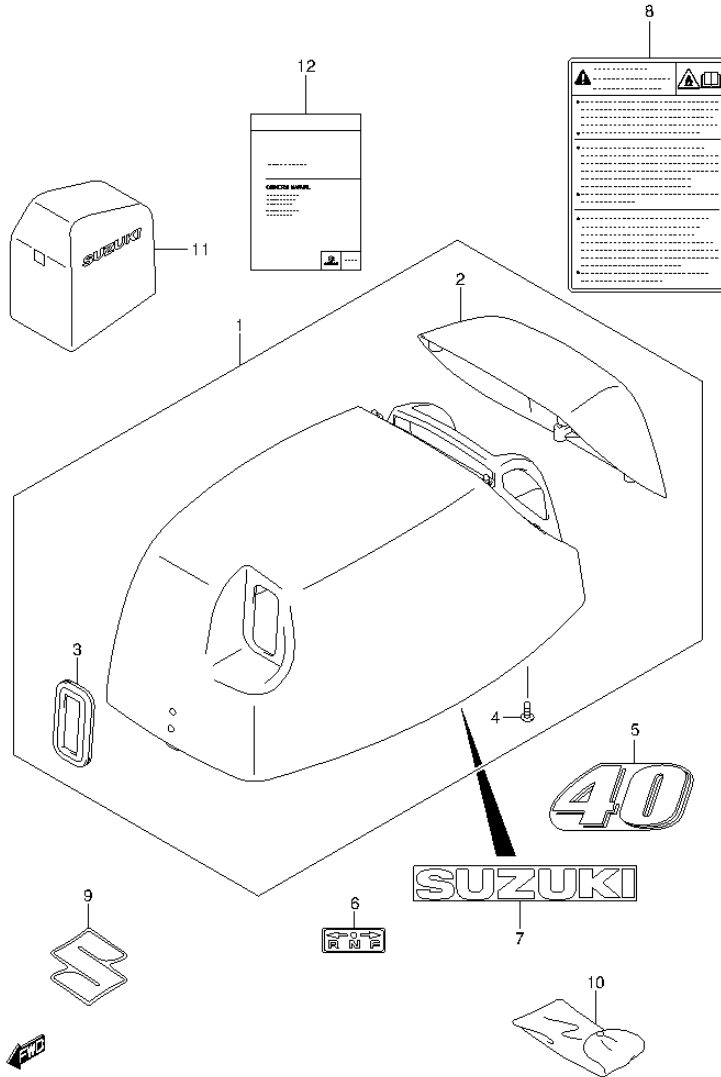


FIG.104 (1-J-4) ENGINE COVER (DT40WR P90)

REF NO.	PART NO.	DESCRIPTION	Q'TY	REMARKS
1	61400-92L00-OEP	COVER SET, ENGINE (BLACK)	1	
2	61431-92L00-OEP	.HANDLE, TILT UP (BLACK)	1	
3	61622-95500	.SEAL, RECOIL STARTER	1	
4	03542-06169	.SCREW	4	
5	61435-944A1	MARK, EMBLEM REAR	1	
6	21131-96010	MARK, CLUTCH SHIFT	1	
7	61441-91L00	MARK, SUZUKI	2	
8	61458-89L00	LABEL, ENGINE COVER	1	
9	68111-99J00	EMBLEM, "S"	1	
10	59800-90L00	TOOL ASSY	1	
11	68110-87L00	COVER, WEATHER	1	OPT
12	99011-92L20-063	MANUAL, OWNER'S	1	

FIG.105

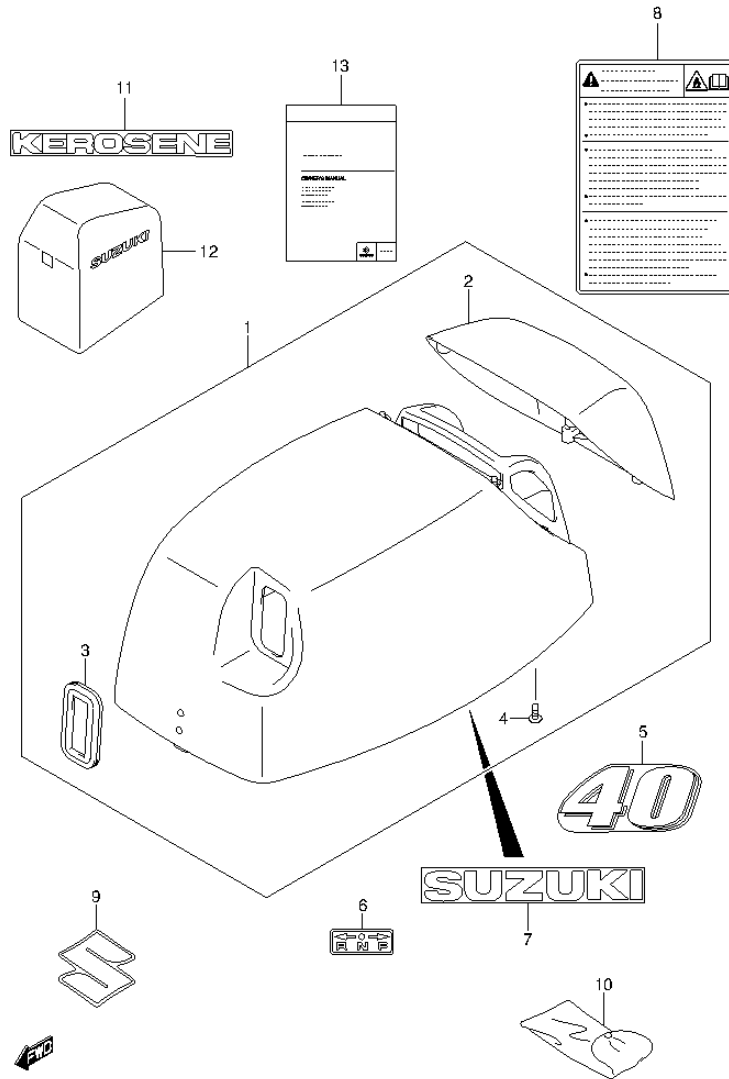


FIG.105 (1-J-5) ENGINE COVER (DT40WK P40)

REF NO.	PART NO.	DESCRIPTION	Q'TY	REMARKS
1	61400-92L00-0EP	COVER SET, ENGINE (BLACK)	1	
2	61431-92L00-0EP	.HANDLE, TILT UP (BLACK)	1	
3	61622-95500	.SEAL, RECOIL STARTER	1	
4	03542-06169	.SCREW	4	
5	61435-944A1	MARK, EMBLEM REAR	1	
6	21131-96010	MARK, CLUTCH SHIFT	1	
7	61441-91L00	MARK, SUZUKI	2	
8	61458-89L00	LABEL, ENGINE COVER	1	
9	68111-99J00	EMBLEM, "S"	1	
10	59800-90L00	TOOL ASSY	1	
11	61449-93921	MARK, KEROSENE	1	
12	68110-87L00	COVER, WEATHER	1	OPT
13	99011-92L30-063	MANUAL, OWNER'S	1	

FIG.106

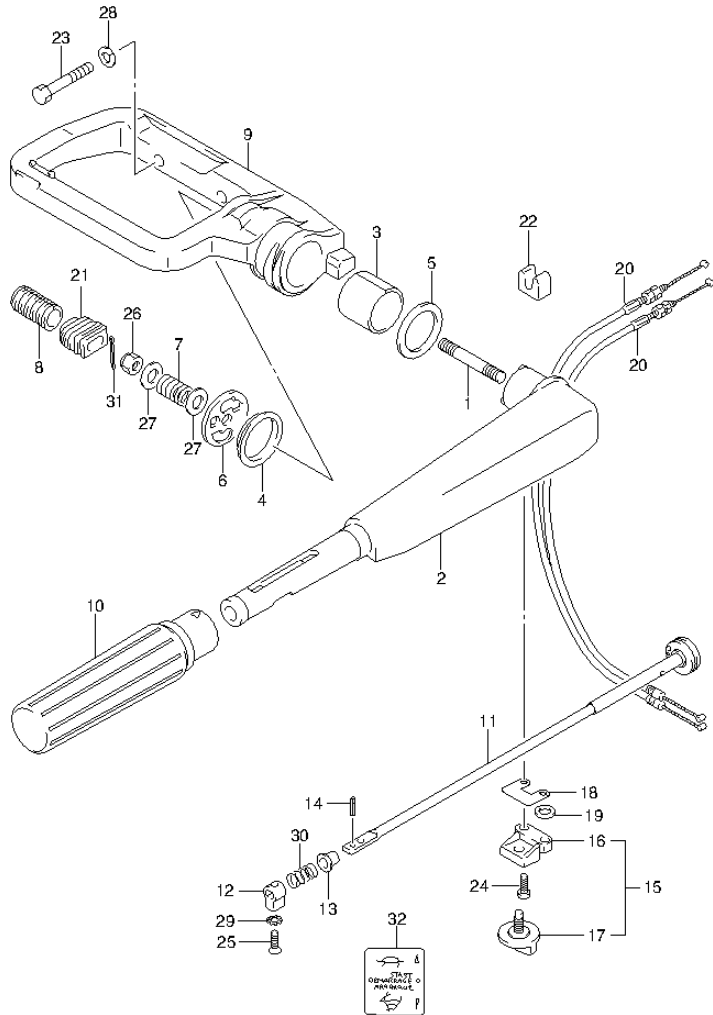


FIG.106 (1-J-6) TILLER HANDLE (DT40W P40)

REF NO.	PART NO.	DESCRIPTION	Q'TY	REMARKS
1	09108-10137	STUD BOLT	1	
2	63111-92L00-0EP	HANDLE, TILLER (BLACK)	1	
3	63115-97E00	BUSH, TILLER HANDLE	1	
4	63116-97E00	WASHER, TILLER HANDLE NO.1	1	
5	63117-97E01	WASHER, TILLER HANDLE NO.2	1	
6	63125-97E01	PLATE, TILLER HANDLE	1	
7	63126-97E01	SPRING, HANDLE STUD	1	
8	63128-97E00	COVER, HANDLE NUT	1	
9	63131-92L10-0EP	BRACKET, TILLER HANDLE (BLACK)	1	
10	63210-93E30	GRIP, HANDLE	1	
11	63220-91L00	ROD, HANDLE	1	
12	63223-92D00	STOPPER, HANDLE ROD	1	
13	63225-93200	BUSH, HANDLE ROD	1	
14	09205-03038	SPRING PIN (3X14)	1	
15	63240-94J10	ADJUSTER, HANDLE GRIP	1	
16	63241-986B0	SUPPORT, HANDLE ROD	1	
17	63244-94J00	KNOB, THROTTLE ADJUSTER	1	
18	63225-94J00	PLATE, HANDLE ROD ADJUSTER	1	
19	09148-06008	NUT	1	
20	63610-92L00	CABLE, THROTTLE	2	
21	63625-96300	GROMMET, THROTTLE CABLE	1	
22	63627-94400	GUIDE, THROTTLE CABLE	1	
23	09100-10317	BOLT (10X50)	2	
24	09136-05041	SCREW (5X20)	2	
25	09126-06015	SCREW (6X23)	1	
26	09159-10L07	NUT	1	
27	09160-10082	WASHER (10.5X19X2)	2	
28	09162-10005	LOCK WASHER	2	
29	09163-06001	LOCK WASHER	1	
30	09440-12027	SPRING	1	
31	09204-01002	PIN	1	
32	63215-93401	MARK, HANDLE GRIP	1	

FIG.107

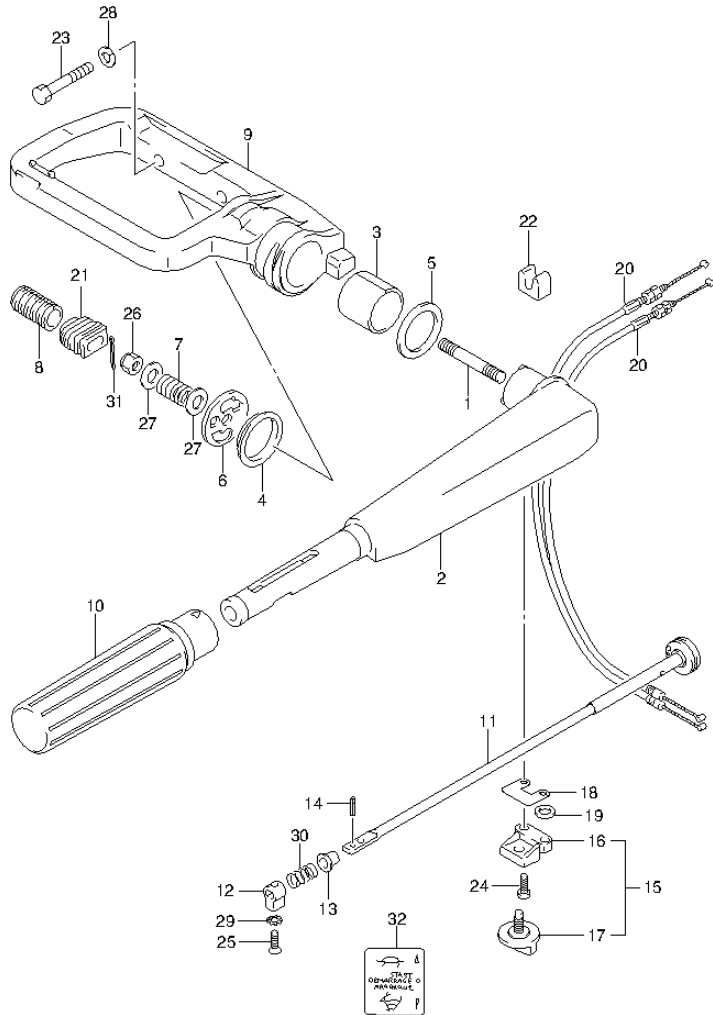


FIG.107 (1-J-7) TILLER HANDLE (DT40W P90)

REF NO.	PART NO.	DESCRIPTION	Q'TY	REMARKS
1	09108-10137	STUD BOLT	1	
2	63111-92L00-0EP	HANDLE, TILLER (BLACK)	1	
3	63115-97E00	BUSH, TILLER HANDLE	1	
4	63116-97E00	WASHER, TILLER HANDLE NO.1	1	
5	63117-97E01	WASHER, TILLER HANDLE NO.2	1	
6	63125-97E01	PLATE, TILLER HANDLE	1	
7	63126-97E01	SPRING, HANDLE STUD	1	
8	63128-97E00	COVER, HANDLE NUT	1	
9	63131-92L10-0EP	BRACKET, TILLER HANDLE (BLACK)	1	
10	63210-93E30	GRIP, HANDLE	1	
11	63220-91L00	ROD, HANDLE	1	
12	63223-92D00	STOPPER, HANDLE ROD	1	
13	63225-93200	BUSH, HANDLE ROD	1	
14	09205-03038	SPRING PIN (3X14)	1	
15	63240-94J10	ADJUSTER, HANDLE GRIP	1	
16	63241-986B0	.SUPPORT, HANDLE ROD	1	
17	63244-94J00	.KNOB, THROTTLE ADJUSTER	1	
18	63225-94J00	PLATE, HANDLE ROD ADJUSTER	1	
19	09148-06008	NUT	1	
20	63610-92L00	CABLE, THROTTLE	2	
21	63625-96300	GROMMET, THROTTLE CABLE	1	
22	63627-94400	GUIDE, THROTTLE CABLE	1	
23	09100-10317	BOLT (10X50)	2	
24	09136-05041	SCREW (5X20)	2	
25	09126-06015	SCREW (6X23)	1	
26	09159-10L07	NUT	1	
27	09160-10082	WASHER (10.5X19X2)	2	
28	09162-10005	LOCK WASHER	2	
29	09163-06001	LOCK WASHER	1	
30	09440-12027	SPRING	1	
31	09204-01002	PIN	1	
32	63215-93401	MARK, HANDLE GRIP	1	

FIG.108

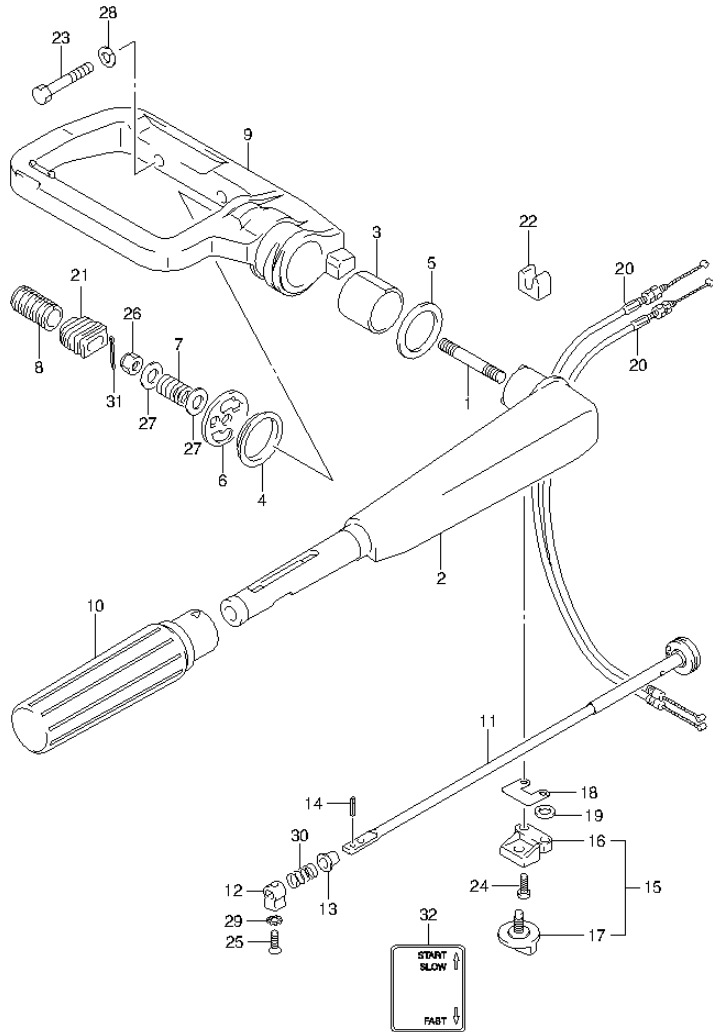


FIG.108 (1-J-8) TILLER HANDLE (DT40WK P40)

REF NO.	PART NO.	DESCRIPTION	Q'TY	REMARKS
1	09108-10137	STUD BOLT	1	
2	63111-92L00-0EP	HANDLE, TILLER (BLACK)	1	
3	63115-97E00	BUSH, TILLER HANDLE	1	
4	63116-97E00	WASHER, TILLER HANDLE NO.1	1	
5	63117-97E01	WASHER, TILLER HANDLE NO.2	1	
6	63125-97E01	PLATE, TILLER HANDLE	1	
7	63126-97E01	SPRING, HANDLE STUD	1	
8	63128-97E00	COVER, HANDLE NUT	1	
9	63131-92L10-0EP	BRACKET, TILLER HANDLE (BLACK)	1	
10	63210-93E30	GRIP, HANDLE	1	
11	63220-91L00	ROD, HANDLE	1	
12	63223-89E00	STOPPER, HANDLE ROD	1	
13	63225-93200	BUSH, HANDLE ROD	1	
14	09205-03038	SPRING PIN (3X14)	1	
15	63240-94J10	ADJUSTER, HANDLE GRIP	1	
16	63241-986B0	.SUPPORT, HANDLE ROD	1	
17	63244-94J00	.KNOB, THROTTLE ADJUSTER	1	
18	63225-94J00	PLATE, HANDLE ROD ADJUSTER	1	
19	09148-06008	NUT	1	
20	63610-92L00	CABLE, THROTTLE	2	
21	63625-96300	GROMMET, THROTTLE CABLE	1	
22	63627-94400	GUIDE, THROTTLE CABLE	1	
23	09100-10317	BOLT (10X50)	2	
24	09136-05041	SCREW (5X20)	2	
25	09126-06015	SCREW (6X23)	1	
26	09159-10L07	NUT	1	
27	09160-10082	WASHER (10.5X19X2)	2	
28	09162-10005	LOCK WASHER	2	
29	09163-06001	LOCK WASHER	1	
30	09440-12027	SPRING	1	
31	09204-01002	PIN	1	
32	63215-93450	MARK, HANDLE GRIP	1	

FIG.109

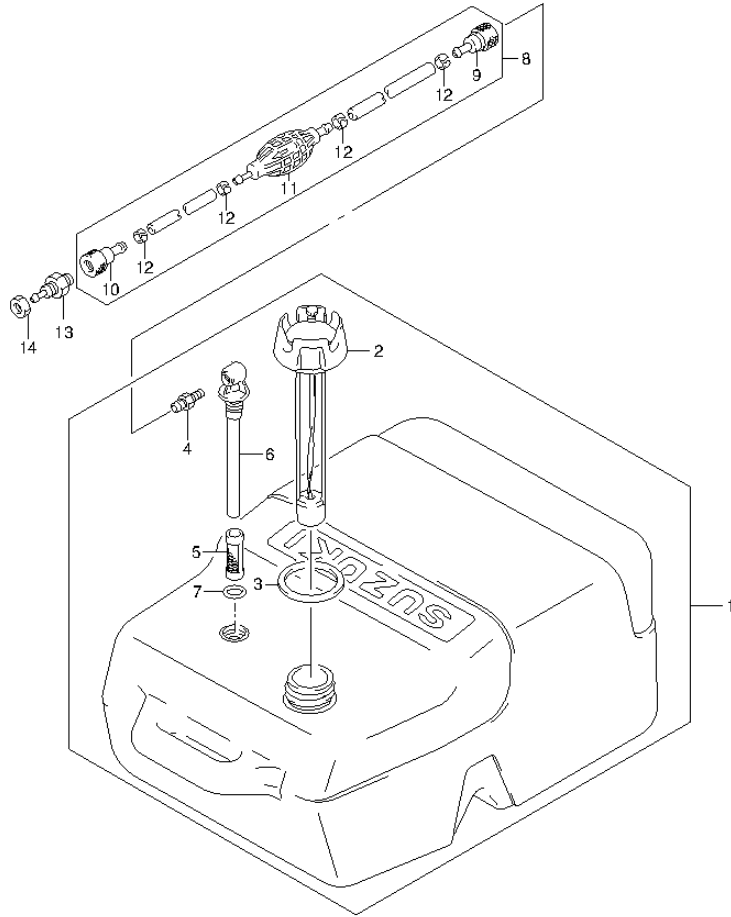


FIG.109 (1-J-9) FUEL TANK (PLASTIC/25L) (DT40W P40)

REF NO.	PART NO.	DESCRIPTION	Q'TY	REMARKS
1	65000-95D01	TANK ASSY, FUEL (25L)	1	
2	65520-95D00	.CAP ASSY, FUEL TANK	1	
3	65561-95D00	.GASKET, TANK CAP	1	
4	65740-95D01	.PLUG, FUEL CONNECTOR	1	
5	65831-95D00	.FILTER, OUTLET	1	
6	65890-95D00	.OUTLET ASSY	1	
7	65892-95D00	.O RING, FUEL OUTLET	1	
8	65700-87DA1	HOSE, FUEL	1	
9	65750-95500	.SOCKET, FUEL HOSE (IN)	1	
10	65750-98505	.SOCKET, FUEL HOSE (OUT)	1	
11	65770-90L01	.PUMP, SQUEEZE	1	
12	65781-98500	.CLIP	4	
13	65720-985L0	PLUG, FUEL CONNECTOR	1	
14	09140-10032	NUT	1	

FIG.110

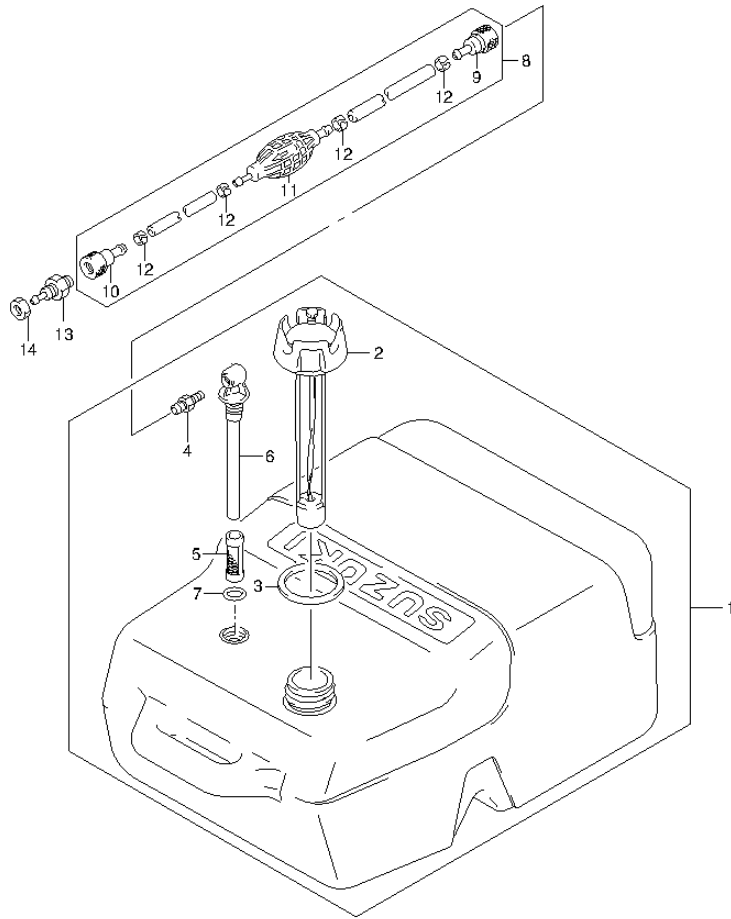


FIG.110 (1-J-10) FUEL TANK (PLASTIC/25L) (DT40W P90)

REF NO.	PART NO.	DESCRIPTION	Q'TY	REMARKS
1	65000-95D01	TANK ASSY, FUEL (25L)	1	
2	65520-95D00	.CAP ASSY, FUEL TANK	1	
3	65561-95D00	.GASKET, TANK CAP	1	
4	65740-95D01	.PLUG, FUEL CONNECTOR	1	
5	65831-95D00	.FILTER, OUTLET	1	
6	65890-95D00	.OUTLET ASSY	1	
7	65892-95D00	.O RING, FUEL OUTLET	1	
8	65700-87DA1	HOSE, FUEL	1	
9	65750-95500	.SOCKET, FUEL HOSE (IN)	1	
10	65750-98505	.SOCKET, FUEL HOSE (OUT)	1	
11	65770-90L01	.PUMP, SQUEEZE	1	
12	65781-98500	.CLIP	4	
13	65720-985L0	PLUG, FUEL CONNECTOR	1	
14	09140-10032	NUT	1	

FIG.111

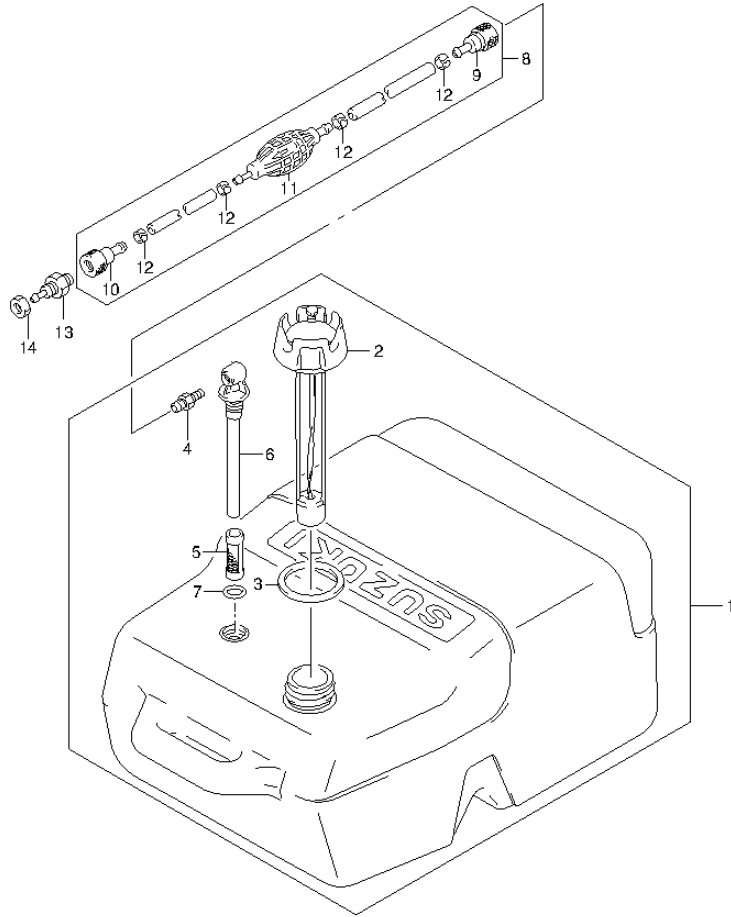


FIG.111 (1-J-11) FUEL TANK (PLASTIC/25L) (DT40WR P40)

REF NO.	PART NO.	DESCRIPTION	Q'TY	REMARKS
1	65000-95D01	TANK ASSY, FUEL (25L)	1	
2	65520-95D00	.CAP ASSY, FUEL TANK	1	
3	65561-95D00	.GASKET, TANK CAP	1	
4	65740-95D01	.PLUG, FUEL CONNECTOR	1	
5	65831-95D00	.FILTER, OUTLET	1	
6	65890-95D00	.OUTLET ASSY	1	
7	65892-95D00	.O RING, FUEL OUTLET	1	
8	65700-87DA1	HOSE, FUEL	1	
9	65750-95500	.SOCKET, FUEL HOSE (IN)	1	
10	65750-98505	.SOCKET, FUEL HOSE (OUT)	1	
11	65770-90L01	.PUMP, SQUEEZE	1	
12	65781-98500	.CLIP	4	
13	65720-985L0	PLUG, FUEL CONNECTOR	1	
14	09140-10032	NUT	1	

FIG.112

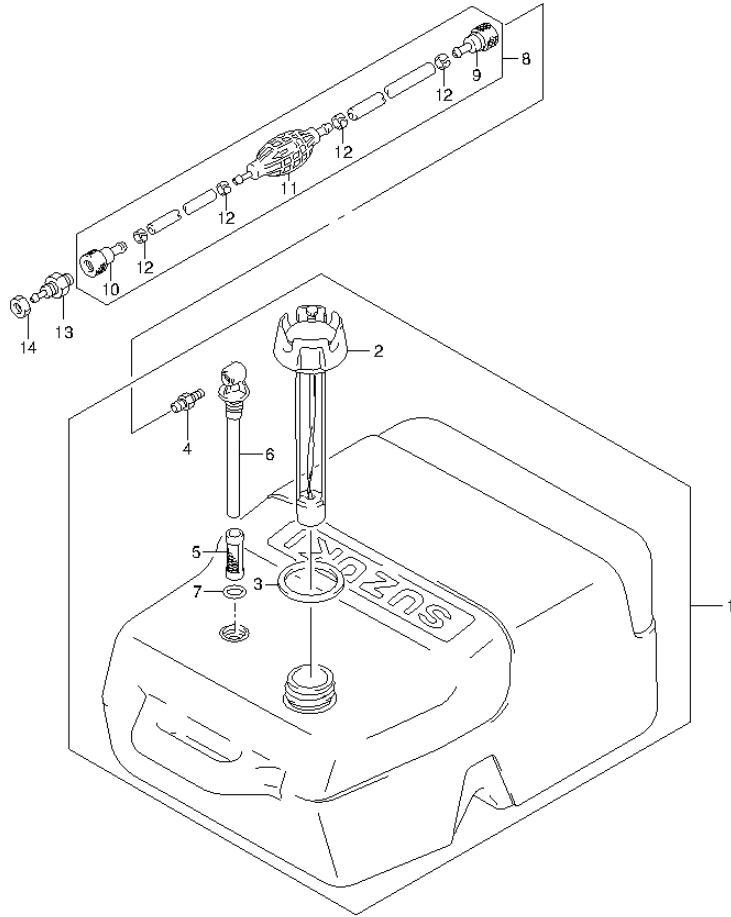


FIG.112 (1-J-12) FUEL TANK (PLASTIC/25L) (DT40WR P90)

REF NO.	PART NO.	DESCRIPTION	Q'TY	REMARKS
1	65000-95D01	TANK ASSY, FUEL (25L)	1	
2	65520-95D00	.CAP ASSY, FUEL TANK	1	
3	65561-95D00	.GASKET, TANK CAP	1	
4	65740-95D01	.PLUG, FUEL CONNECTOR	1	
5	65831-95D00	.FILTER, OUTLET	1	
6	65890-95D00	.OUTLET ASSY	1	
7	65892-95D00	.O RING, FUEL OUTLET	1	
8	65700-87DA1	HOSE, FUEL	1	
9	65750-95500	.SOCKET, FUEL HOSE (IN)	1	
10	65750-98505	.SOCKET, FUEL HOSE (OUT)	1	
11	65770-90L01	.PUMP, SQUEEZE	1	
12	65781-98500	.CLIP	4	
13	65720-985L0	PLUG, FUEL CONNECTOR	1	
14	09140-10032	NUT	1	

FIG.113

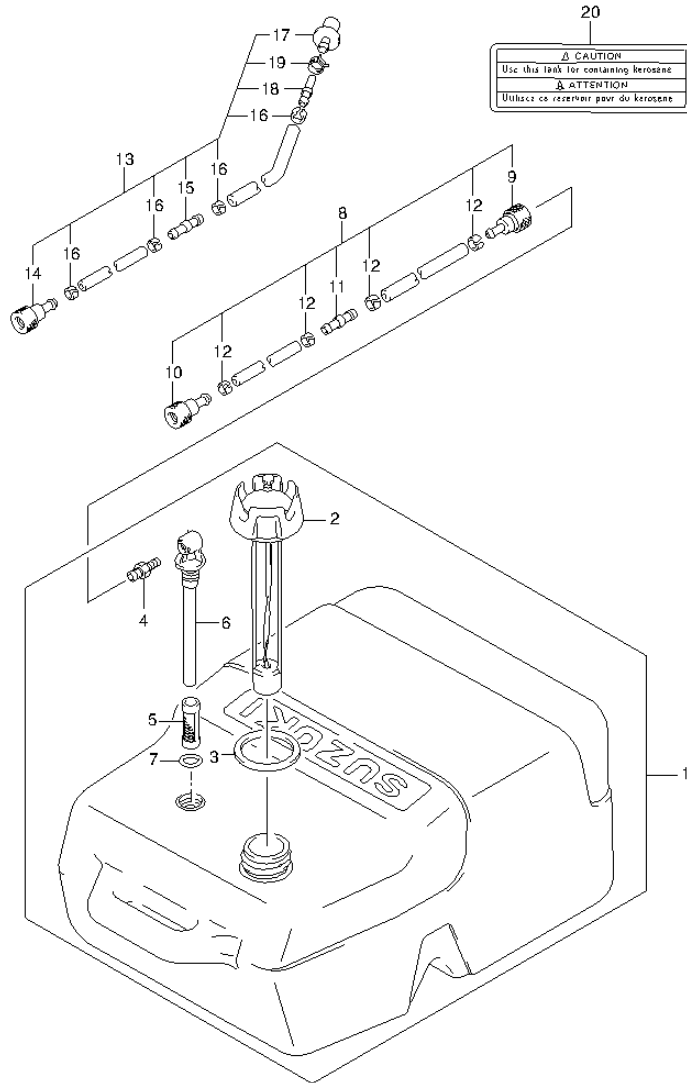


FIG.113 (1-J-13) FUEL TANK (PLASTIC/25L) (DT40WK P40)

REF NO.	PART NO.	DESCRIPTION	Q'TY	REMARKS
1	65000-95D01	TANK ASSY, FUEL (25L)	1	
2	65520-95D00	.CAP ASSY, FUEL TANK	1	
3	65561-95D00	.GASKET, TANK CAP	1	
4	65740-95D01	.PLUG, FUEL CONNECTOR	1	
5	65831-95D00	.FILTER, OUTLET	1	
6	65890-95D00	.OUTLET ASSY	1	
7	65892-95D00	.O RING, FUEL OUTLET	1	
8	65700-96362	HOSE, FUEL (L:2620)	1	FOR KEROSENE W/FUEL TANK
9	65750-95500	.SOCKET, FUEL HOSE (IN)	1	
10	65750-98505	.SOCKET, FUEL HOSE (OUT)	1	
11	65779-93900	.UNION, FUEL HOSE	1	
12	65781-98500	.CLIP	4	
13	65700-94424	HOSE, FUEL	1	FOR KEROSENE N/FUEL TANK
14	65750-98505	.SOCKET, FUEL HOSE	1	
15	65779-93900	.UNION, FUEL HOSE	1	
16	65781-98500	.CLIP	4	
17	65830-95500	.FILTER	1	
18	65842-94401	.TUBE	1	
19	09401-10412	.CLIP	1	
20	65318-93910	MARK, KEROSENE CAUTION	1	W/FUEL TANK

FIG.114

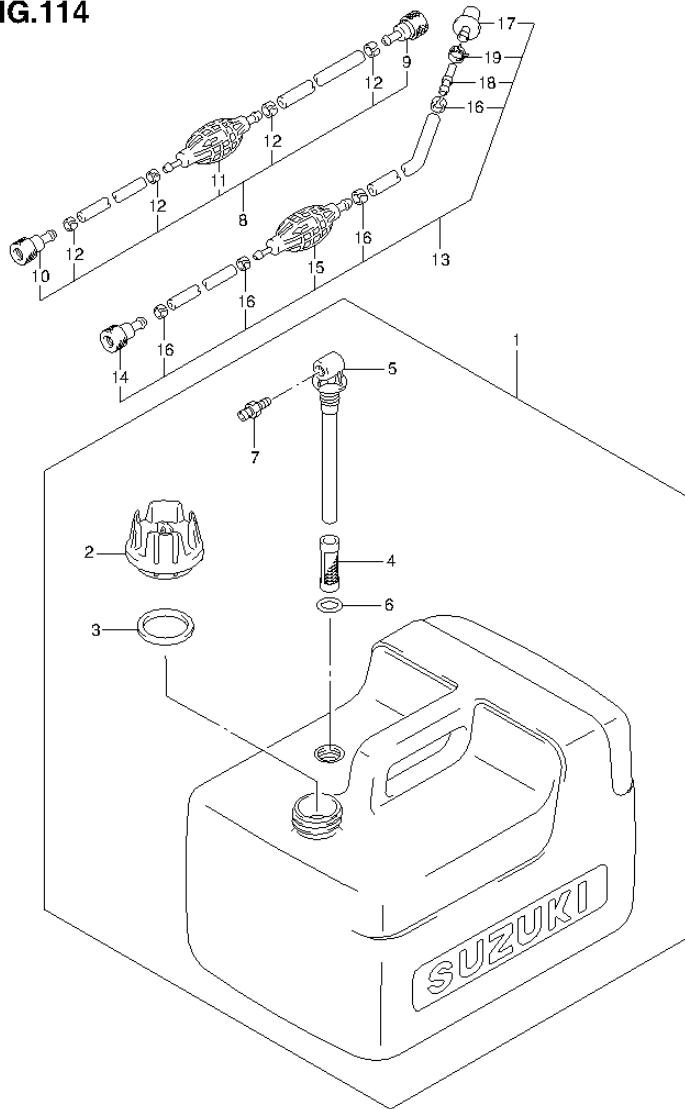


FIG.114 (1-J-14) FUEL TANK (PLASTIC/12L) (DT40WK P40)

REF NO.	PART NO.	DESCRIPTION	Q'TY	REMARKS
1	65000-99100	TANK ASSY, FUEL (12L)	1	FOR GASOLINE
2	65520-99100	.CAP, FUEL TANK	1	
3	65561-95D00	.GASKET, TANK CAP	1	
4	65831-95D00	.FILTER, OUTLET	1	
5	65890-99100	.OUTLET ASSY	1	
6	65892-95D00	.O RING, FUEL OUTLET	1	
7	65740-99100	.PLUG, FUEL CONNECTOR	1	
8	65700-95D04	HOSE, FUEL (L.:2550)	1	FOR GASOLINE W/FUEL TANK
9	65750-95500	.SOCKET, FUEL HOSE	1	
10	65750-98505	.SOCKET, FUEL HOSE	1	
11	65770-99J01	.PUMP, SQUEEZE	1	
12	65781-98500	.CLIP	4	
13	65700-94416	HOSE, FUEL	1	FOR GASOLINE N/FUEL TANK
14	65750-95500	.SOCKET, FUEL HOSE	1	
15	65770-90J11	.PUMP, SQUEEZE	1	
16	65781-98500	.CLIP	4	
17	65830-95500	.FILTER	1	
18	65842-94401	.TUBE	1	
19	09401-10412	.CLIP	1	

FIG.115

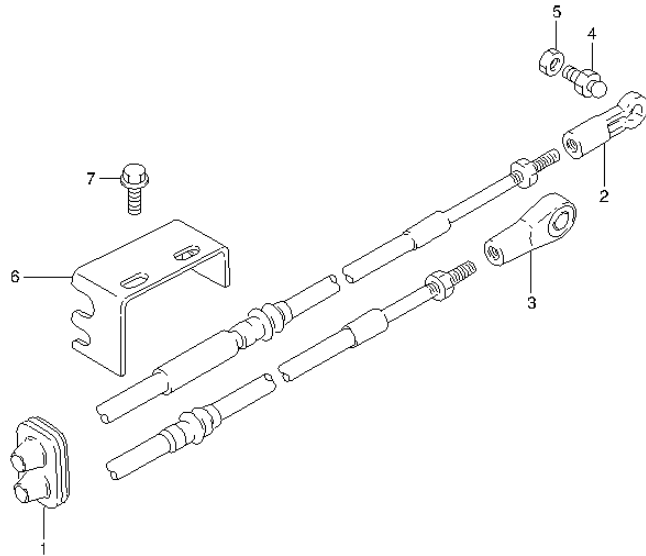


FIG.115 (1-J-15) REMOCON CABLE HOLDER (DT40WR P40)

REF NO.	PART NO.	DESCRIPTION	Q'TY	REMARKS
1	67331-94400	GROMMET, REMOCON CABLE	1	
2	67466-95200	CONNECTOR, THROTTLE CABLE	1	
3	67467-94404	CONNECTOR, CLUTCH CABLE	1	
4	09119-06047	PIVOT	1	
5	29141-93J00	NUT	1	
6	67341-94400	HOLDER, REMOCON CABLE	1	
7	09116-06225	BOLT (6X15)	2	

FIG.116

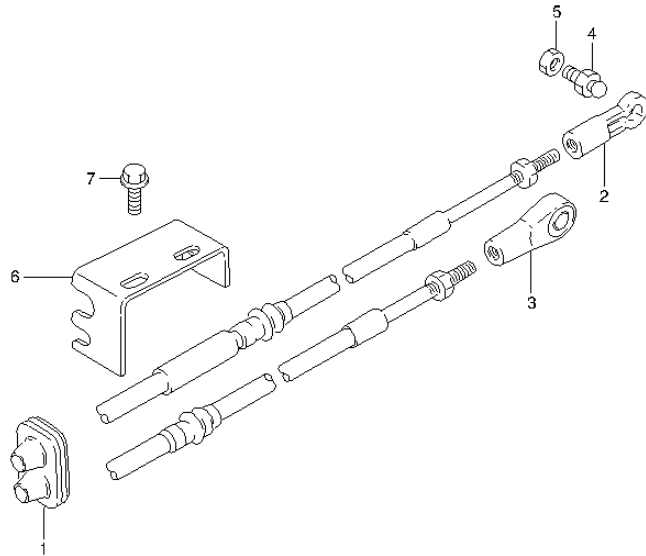
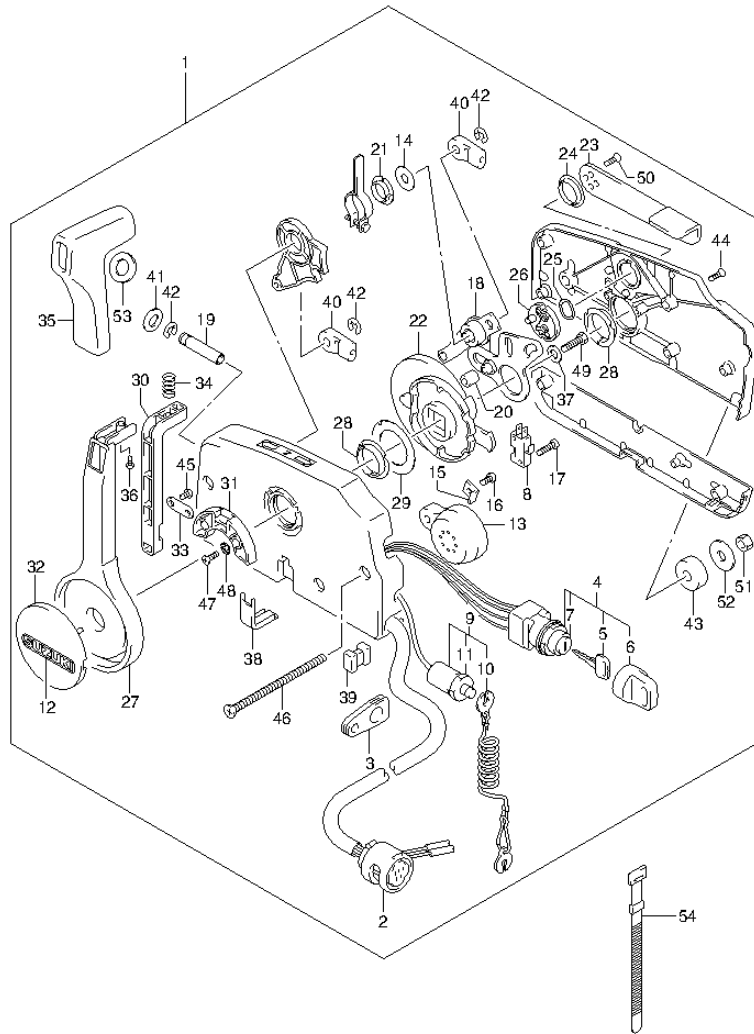


FIG.116 (1-K-2) REMOCON CABLE HOLDER (DT40WR P90)

REF NO.	PART NO.	DESCRIPTION	Q'TY	REMARKS
1	67331-94400	GROMMET, REMOCON CABLE	1	
2	67466-95200	CONNECTOR, THROTTLE CABLE	1	
3	67467-94404	CONNECTOR, CLUTCH CABLE	1	
4	09119-06047	PIVOT	1	
5	29141-93J00	NUT	1	
6	67341-94400	HOLDER, REMOCON CABLE	1	
7	09116-06225	BOLT (6X15)	2	

FIG.117



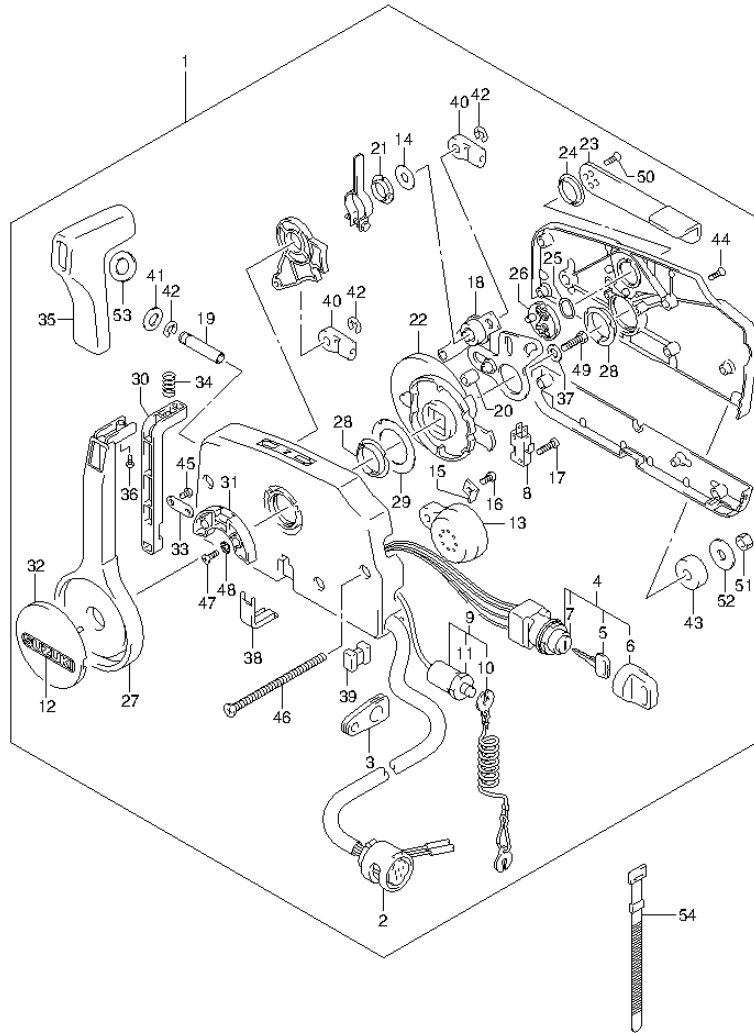
DT40W_P40_013_117
REMOTE CONTROL

FIG.117 (1-K-3) REMOTE CONTROL (DT40WR P40)

REF NO.	PART NO.	DESCRIPTION	Q'TY	REMARKS
1	67200-97E44	REMOTE CONTROL ASSY	1	
2	36620-92E20	..WIRE ASSY, REMOCON	1	
3	36628-92E00	..GROMMET	1	
4	37110-99E01	..SWITCH ASSY, IGNITION	1	
5-1	37141-99E00	..KEY (931)	1	
5-2	37141-99E10	..KEY (932)	1	
5-3	37141-99E20	..KEY (933)	1	
5-4	37141-99E30	..KEY (934)	1	
5-5	37141-99E40	..KEY (935)	1	
5-6	37141-99E50	..KEY (936)	1	
5-7	37141-99E60	..KEY (937)	1	
5-8	37141-99E70	..KEY (938)	1	
5-9	37141-99E80	..KEY (939)	1	
5-10	37141-99E90	..KEY (940)	1	
5-11	37141-99EA0	..KEY (941)	1	
5-12	37141-99EB0	..KEY (942)	1	
6	37143-99E00	..CAP, KEY	1	
7	37149-93J00	..CAP, CYLINDER BODY	1	
8	37721-94600	..SWITCH, NEUTRAL	1	
9	37820-92E03	..SWITCH ASSY, EMERGENCY	1	
10	37823-92E01	..PLATE	1	
11	37826-92E00	..NUT	1	
12	68165-16B00-13L	..EMBLEM, SUZUKI (SILVER)	1	
13	38500-92X50	..BUZZER, WARNING	1	
14	67212-95600	..WASHER	1	
15	67213-92E00	..BRACKET, BUZZER	1	
16	09125-05042	..SCREW (5X10)	1	
17	67296-92E10	..SCREW, BUZZER BRKT	2	
18	67220-95620	..PLATE ASSY	1	
19	67223-99E10	..KNOB, BRAKE ADJUST	1	
20	67229-95600	..ROLLER	1	
21	67232-95600	..BUSH	1	
22	67238-87D00	..GEAR, DRIVE	1	
23	67241-99E10	..LEVER, FREE THROTTLE	1	

DT40W_P40_013

FIG.117



DT40W_P40_013_117
REMOTE CONTROL

FIG.117 (1-K-4) REMOTE CONTROL (DT40WR P40)

REF NO.	PART NO.	DESCRIPTION	Q'TY	REMARKS
24	67243-95600	.BUSH	1	
25	67244-95600	.WAVE WASHER	1	
26	67245-95600	.DRUM, FREE THROTTLE	1	
27	67251-99E10	.LEVER, HANDLE	1	
28	67252-95600	.BUSH	2	
29	67253-95600	.WASHER	1	
30	67255-99E00	.ARM, LOCK	1	
31	67256-95600	.HOLDER, NEUT LOCK	1	
32	67257-99E00	.CAP, LEVER	1	
33	67258-99E00	.BRACKET	1	
34	67259-87D00	.SPRING, NEUTRAL ARM	1	
35	67261-99E00	.GRIP	1	
36	67296-94310	.SCREW, BUZZER BRKT	1	
37	67264-95600	.WASHER	1	
38	67267-93J00	.COVER, WIRE	1	
39	67273-95600	.SPACER	1	
40	67275-95600	.END, CABLE	2	
41	67288-92E00	.WASHER	1	
42	67292-94300	.E RING	3	
43	67294-95600	.SPACER	3	
44	67296-90J00	.SCREW, COVER	5	
45	67296-94300	.SCREW	2	
46	67296-95600	.SCREW	3	
47	67296-95610	.SCREW	2	
48	67297-95600	.WASHER	2	
49	09100-08232	.BOLT (8X30)	1	
50	09126-05003	.SCREW (5X12)	2	
51	09140-06020	.NUT	3	
52	09160-06104	.WASHER (6.5X24X2)	3	
53	37859-90J00	.SPACER	1	
54	09407-12402	.CLAMP (L:120)	2	

DT40W_P40_013

FIG.118

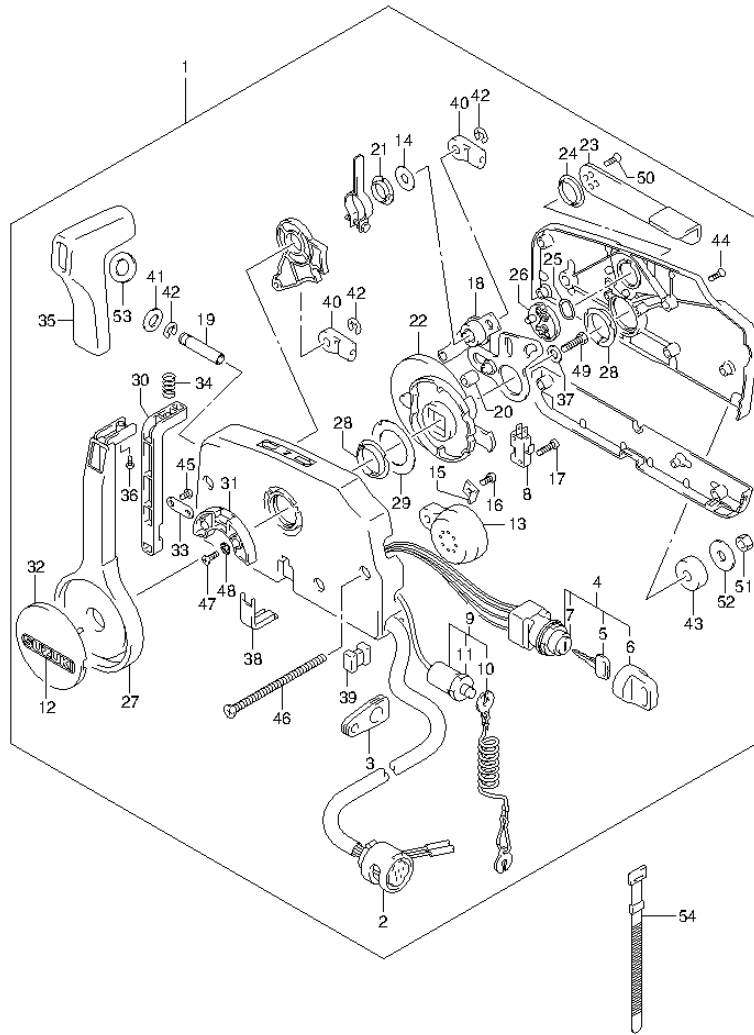


FIG.118 (1-K-5) REMOTE CONTROL (DT40WR P90)

REF NO.	PART NO.	DESCRIPTION	Q'TY	REMARKS
1	67200-97E44	REMOTE CONTROL ASSY	1	
2	36620-92E20	..WIRE ASSY, REMOCON	1	
3	36628-92E00	..GROMMET	1	
4	37110-99E01	..SWITCH ASSY, IGNITION	1	
5-1	37141-99E00	..KEY (931)	1	
5-2	37141-99E10	..KEY (932)	1	
5-3	37141-99E20	..KEY (933)	1	
5-4	37141-99E30	..KEY (934)	1	
5-5	37141-99E40	..KEY (935)	1	
5-6	37141-99E50	..KEY (936)	1	
5-7	37141-99E60	..KEY (937)	1	
5-8	37141-99E70	..KEY (938)	1	
5-9	37141-99E80	..KEY (939)	1	
5-10	37141-99E90	..KEY (940)	1	
5-11	37141-99EA0	..KEY (941)	1	
5-12	37141-99EB0	..KEY (942)	1	
6	37143-99E00	..CAP, KEY	1	
7	37149-93J00	..CAP, CYLINDER BODY	1	
8	37721-94600	..SWITCH, NEUTRAL	1	
9	37820-92E03	..SWITCH ASSY, EMERGENCY	1	
10	37823-92E01	..PLATE	1	
11	37826-92E00	..NUT	1	
12	68165-16B00-13L	..EMBLEM, SUZUKI (SILVER)	1	
13	38500-92X50	..BUZZER, WARNING	1	
14	67212-95600	..WASHER	1	
15	67213-92E00	..BRACKET, BUZZER	1	
16	09125-05042	..SCREW (5X10)	1	
17	67296-92E10	..SCREW, BUZZER BRKT	2	
18	67220-95620	..PLATE ASSY	1	
19	67223-99E10	..KNOB, BRAKE ADJUST	1	
20	67229-95600	..ROLLER	1	
21	67232-95600	..BUSH	1	
22	67238-87D00	..GEAR, DRIVE	1	
23	67241-99E10	..LEVER, FREE THROTTLE	1	

FIG.118

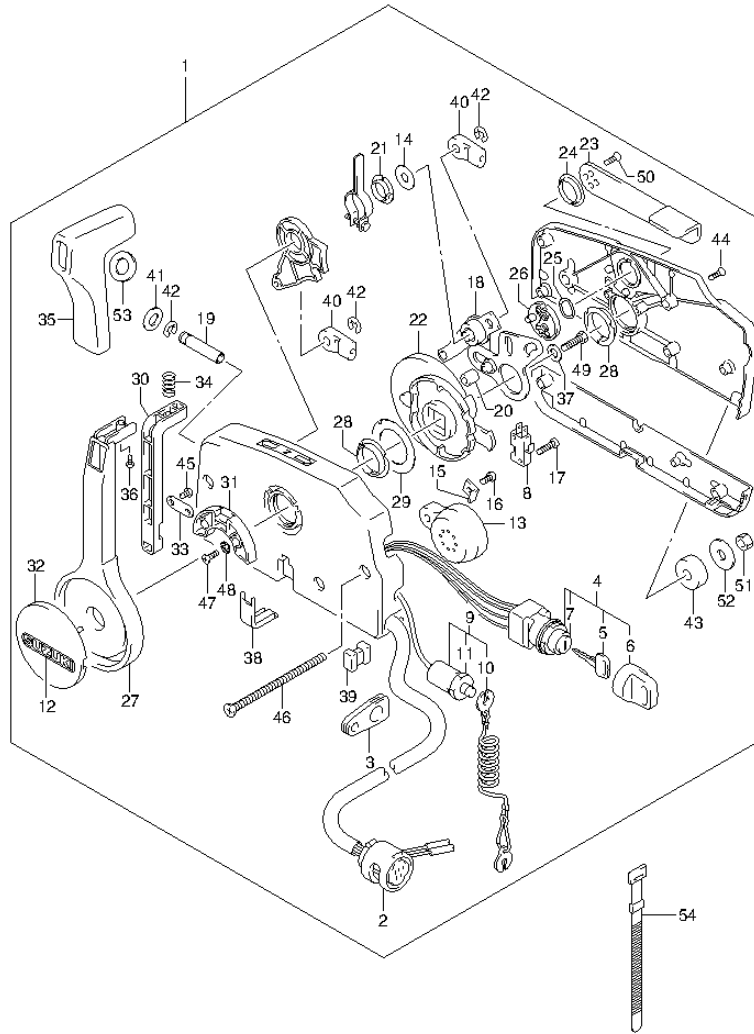


FIG.118 (1-K-6) REMOTE CONTROL (DT40WR P90)

REF NO.	PART NO.	DESCRIPTION	Q'TY	REMARKS
24	67243-95600	.BUSH	1	
25	67244-95600	.WAVE WASHER	1	
26	67245-95600	.DRUM, FREE THROTTLE	1	
27	67251-99E10	.LEVER, HANDLE	1	
28	67252-95600	.BUSH	2	
29	67253-95600	.WASHER	1	
30	67255-99E00	.ARM, LOCK	1	
31	67256-95600	.HOLDER, NEUT LOCK	1	
32	67257-99E00	.CAP, LEVER	1	
33	67258-99E00	.BRACKET	1	
34	67259-87D00	.SPRING, NEUTRAL ARM	1	
35	67261-99E00	.GRIP	1	
36	67296-94310	.SCREW, BUZZER BRKT	1	
37	67264-95600	.WASHER	1	
38	67267-93J00	.COVER, WIRE	1	
39	67273-95600	.SPACER	1	
40	67275-95600	.END, CABLE	2	
41	67288-92E00	.WASHER	1	
42	67292-94300	.E RING	3	
43	67294-95600	.SPACER	3	
44	67296-90J00	.SCREW, COVER	5	
45	67296-94300	.SCREW	2	
46	67296-95600	.SCREW	3	
47	67296-95610	.SCREW	2	
48	67297-95600	.WASHER	2	
49	09100-08232	.BOLT (8X30)	1	
50	09126-05003	.SCREW (5X12)	2	
51	09140-06020	.NUT	3	
52	09160-06104	.WASHER (6.5X24X2)	3	
53	37859-90J00	.SPACER	1	
54	09407-12402	.CLAMP (L:120)	2	

FIG.119

FIG.119 (1-K-7) DRAG LING (DT40WR P40)

REF NO.	PART NO.	DESCRIPTION	Q'TY	REMARKS
1	67701-94430	LINK ASSY, DRAG	1	
2	67721-94310	.SPACER	1	
3	67725-99E10	.BOLT	1	
4	67726-99E00	.NUT	2	
5	67728-99E00	.WASHER	3	

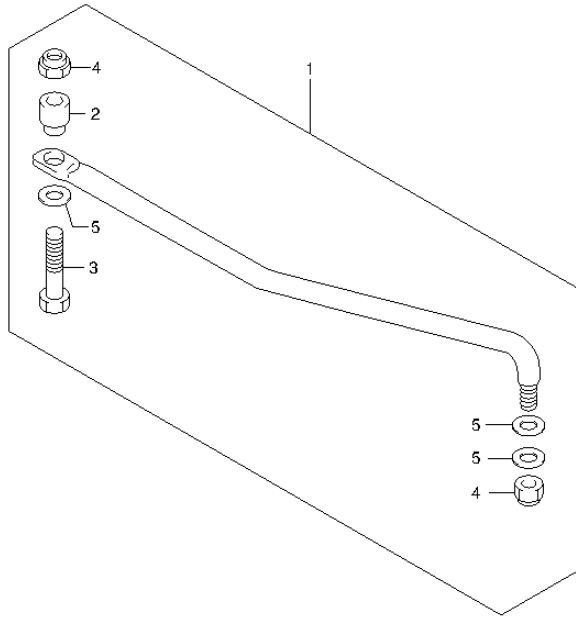


FIG.120

FIG.120 (1-K-8) DRAG LING (DT40WR P90)

REF NO.	PART NO.	DESCRIPTION	Q'TY	REMARKS
1	67701-94430	LINK ASSY, DRAG	1	
2	67721-94310	.SPACER	1	
3	67725-99E10	.BOLT	1	
4	67726-99E00	.NUT	2	
5	67728-99E00	.WASHER	3	

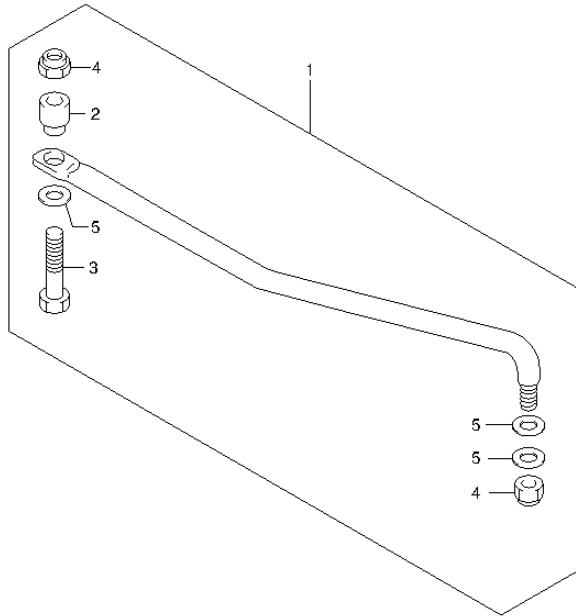


FIG.121

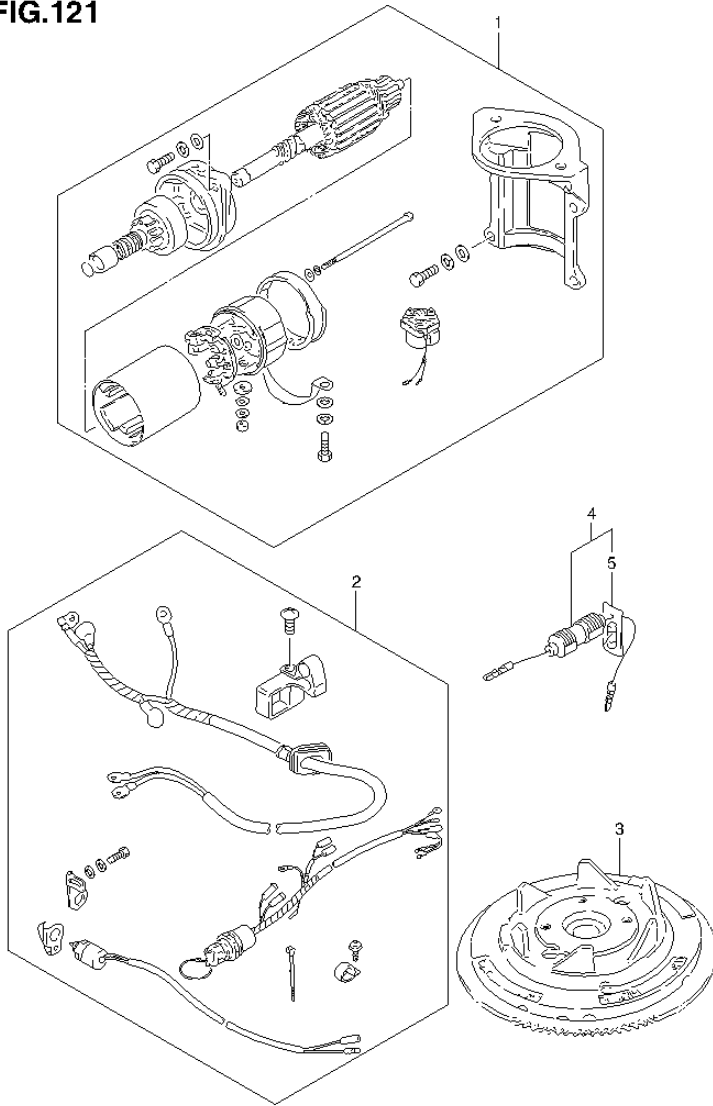


FIG.121 (1-K-9) OPT : STARTING MOTOR (DT40W P40)

REF NO.	PART NO.	DESCRIPTION	Q'TY	REMARKS
1	31101-94402-OEP	MOTOR SET, STARTING (BLACK)	1	
2	33800-94433	CABLE/SWITCH SET, STARTING	1	
3	32102-94451	FLYWHEEL	1	
4	36740-93901	CASE ASSY, FUSE	1	
5	09481-20001	.FUSE (20A)	1	

FIG.122

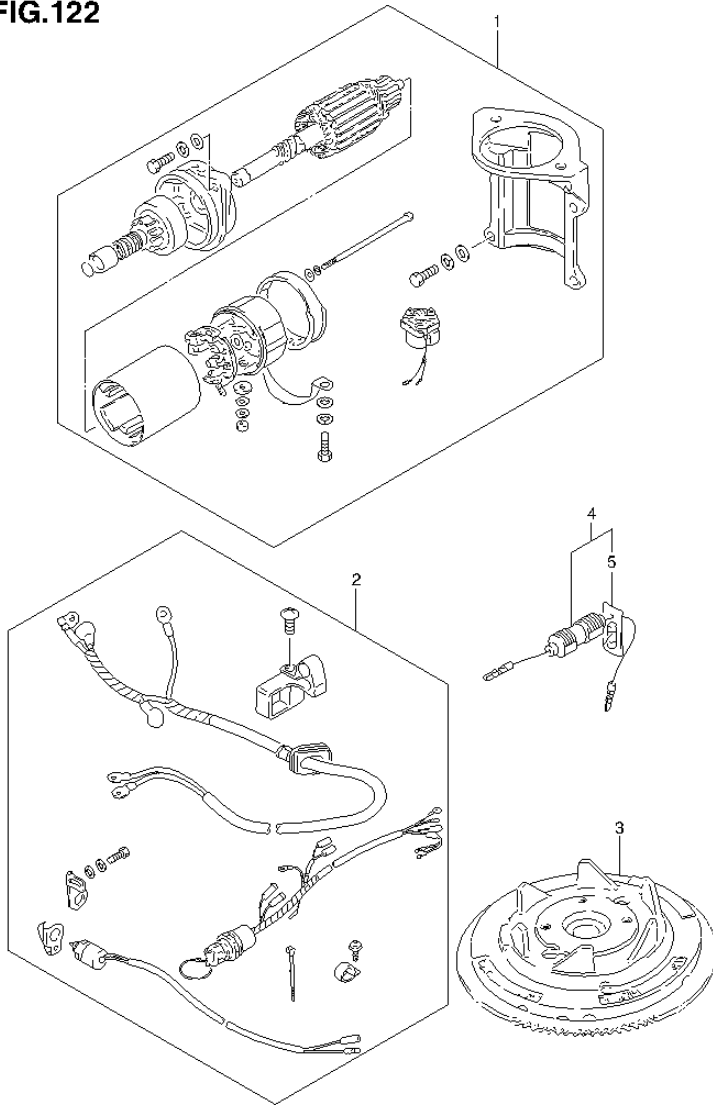


FIG.122 (1-K-10) OPT : STARTING MOTOR (DT40W P90)

REF NO.	PART NO.	DESCRIPTION	Q'TY	REMARKS
1	31101-94402-OEP	MOTOR SET, STARTING (BLACK)	1	
2	33800-94433	CABLE/SWITCH SET, STARTING	1	
3	32102-94451	FLYWHEEL	1	
4	36740-93901	CASE ASSY, FUSE	1	
5	09481-20001	.FUSE (20A)	1	

FIG.123

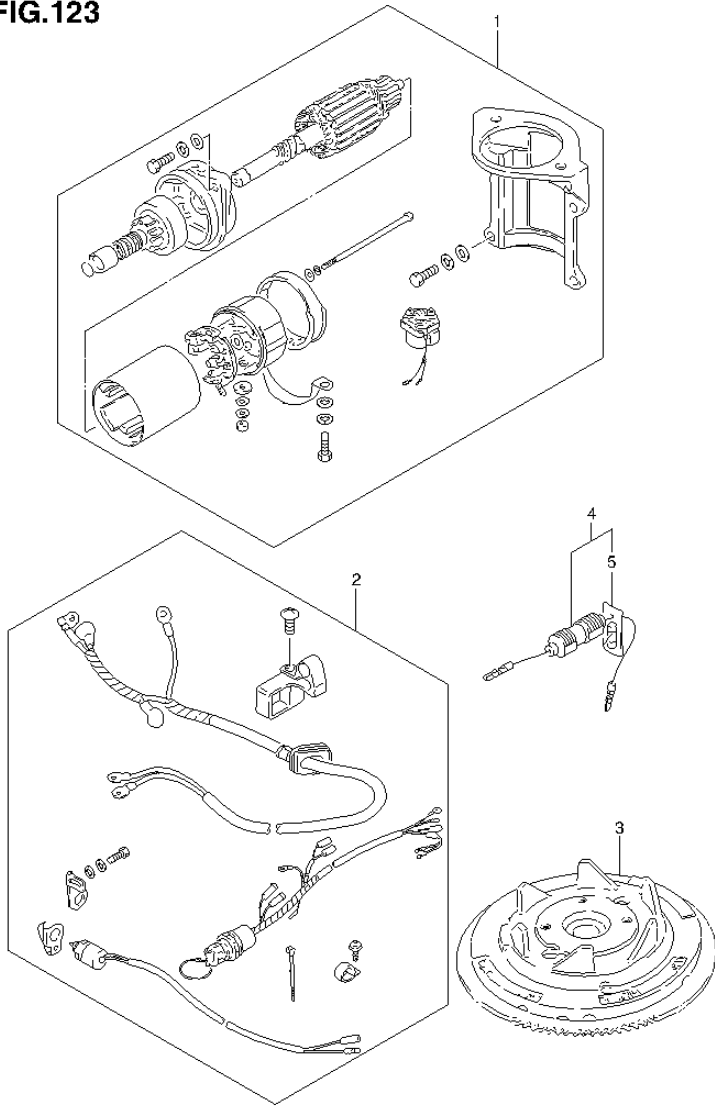


FIG.123 (1-K-11) OPT : STARTING MOTOR (DT40WK P40)

REF NO.	PART NO.	DESCRIPTION	Q'TY	REMARKS
1	31101-94402-0EP	MOTOR SET, STARTING (BLACK)	1	
2	33800-94433	CABLE/SWITCH SET, STARTING	1	
3	32102-94461	FLYWHEEL	1	
4	36740-93901	CASE ASSY, FUSE	1	
5	09481-20001	.FUSE (20A)	1	

FIG.124

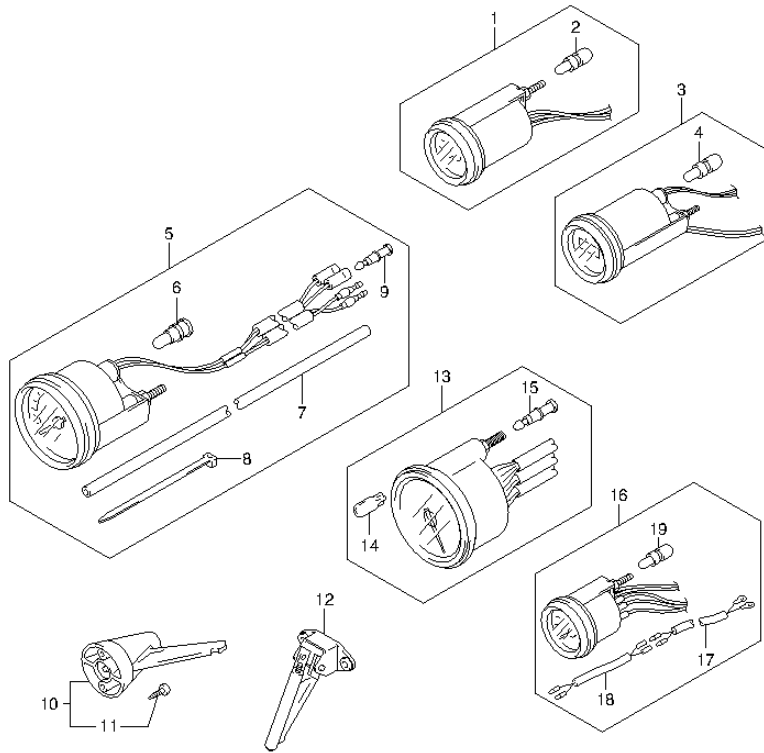


FIG.124 (1-K-12) OPT : METER (DT40W P40)

REF NO.	PART NO.	DESCRIPTION	Q'TY	REMARKS
1-1	34600-93J00	METER ASSY, VOLTAGE	1	BLACK
1-2	34600-93J11	METER ASSY, VOLTAGE	1	WHITE
2	09471-12103	.BULB (12V, 3W, T6.5)	1	
3-1	34500-93J00	METER ASSY, HOUR	1	BLACK
3-2	34500-93J11	METER ASSY, HOUR	1	WHITE
4	09471-12103	.BULB (12V, 3W, T6.5)	1	
5-1	34100-93J20	SPEEDOMETER ASSY	1	MAX 80KM/H BLACK
5-2	34100-93J31	SPEEDOMETER ASSY	1	MAX 80KM/H WHITE
5-3	34100-93J40	SPEEDOMETER ASSY	1	MAX 45KNOTS BLACK
5-4	34100-93J51	SPEEDOMETER ASSY	1	MAX 45KNOTS WHITE
6	09471-12028	.BULB (12V,3.4W)	1	
7	34191-92E00	.TUBE	1	
8	09407-14407	.CLAMP (L:145)	2	
9	36615-96300	.TERMINAL, RESIN	2	
10	34190-95500	SENDER ASSY, SPEEDOMETER	1	
11	03112-06303	.SCREW	2	
12	34190-87D00	SENDER ASSY, SPEEDOMETER	1	
13-1	34200-93J20	TACHOMETER ASSY	1	BLACK
13-2	34200-93J31	TACHOMETER ASSY	1	WHITE
14	09471-12028	.BULB (12V,3.4W)	1	
15	36615-96300	.TERMINAL	4	
16-1	34300-93J00	GAUGE ASSY, FUEL	1	BLACK
16-2	34300-93J11	GAUGE ASSY, FUEL	1	WHITE
17	34310-92E00	.LEAD, FUEL GAUGE	1	
18	34360-92E00	.ADAPTER, FUEL GAUGE	1	
19	09471-12103	.BULB (12V, 3W, T6.5)	1	

FIG.125

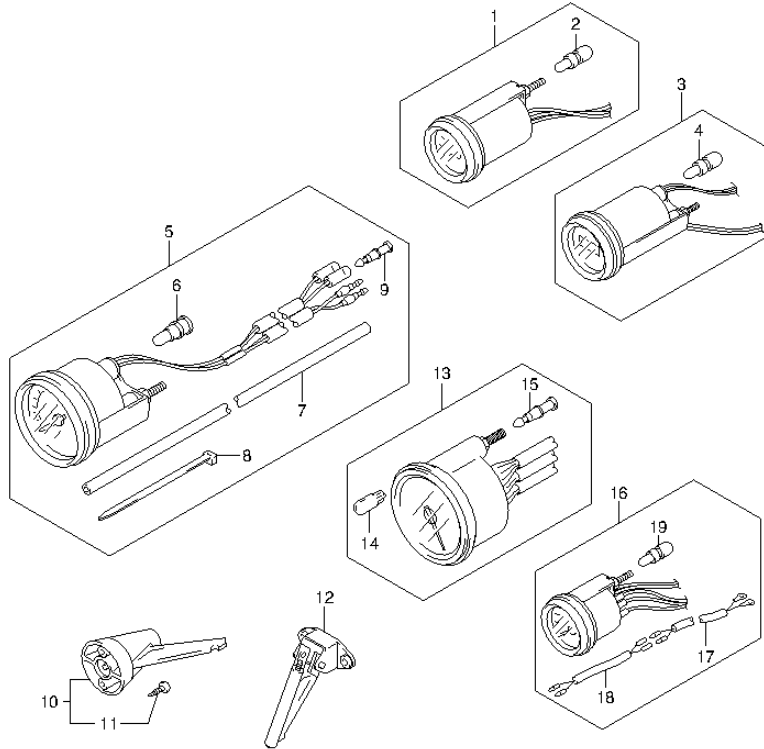


FIG.125 (1-K-13) OPT : METER (DT40WR P40)

REF NO.	PART NO.	DESCRIPTION	Q'TY	REMARKS
1-1	34600-93J00	METER ASSY, VOLTAGE	1	BLACK
1-2	34600-93J11	METER ASSY, VOLTAGE	1	WHITE
2	09471-12103	.BULB (12V, 3W, T6.5)	1	
3-1	34500-93J00	METER ASSY, HOUR	1	BLACK
3-2	34500-93J11	METER ASSY, HOUR	1	WHITE
4	09471-12103	.BULB (12V, 3W, T6.5)	1	
5-1	34100-93J20	SPEEDOMETER ASSY	1	MAX 80KM/H BLACK
5-2	34100-93J31	SPEEDOMETER ASSY	1	MAX 80KM/H WHITE
5-3	34100-93J40	SPEEDOMETER ASSY	1	MAX 45KNOTS BLACK
5-4	34100-93J51	SPEEDOMETER ASSY	1	MAX 45KNOTS WHITE
6	09471-12028	.BULB (12V,3.4W)	1	
7	34191-92E00	.TUBE	1	
8	09407-14407	.CLAMP (L:145)	2	
9	36615-96300	.TERMINAL, RESIN	2	
10	34190-95500	SENDER ASSY, SPEEDOMETER	1	
11	03112-06303	.SCREW	2	
12	34190-87D00	SENDER ASSY, SPEEDOMETER	1	
13-1	34200-93J20	TACHOMETER ASSY	1	BLACK
13-2	34200-93J31	TACHOMETER ASSY	1	WHITE
14	09471-12028	.BULB (12V,3.4W)	1	
15	36615-96300	.TERMINAL	4	
16-1	34300-93J00	GAUGE ASSY, FUEL	1	BLACK
16-2	34300-93J11	GAUGE ASSY, FUEL	1	WHITE
17	34310-92E00	.LEAD, FUEL GAUGE	1	
18	34360-92E00	.ADAPTER, FUEL GAUGE	1	
19	09471-12103	.BULB (12V, 3W, T6.5)	1	

FIG.126

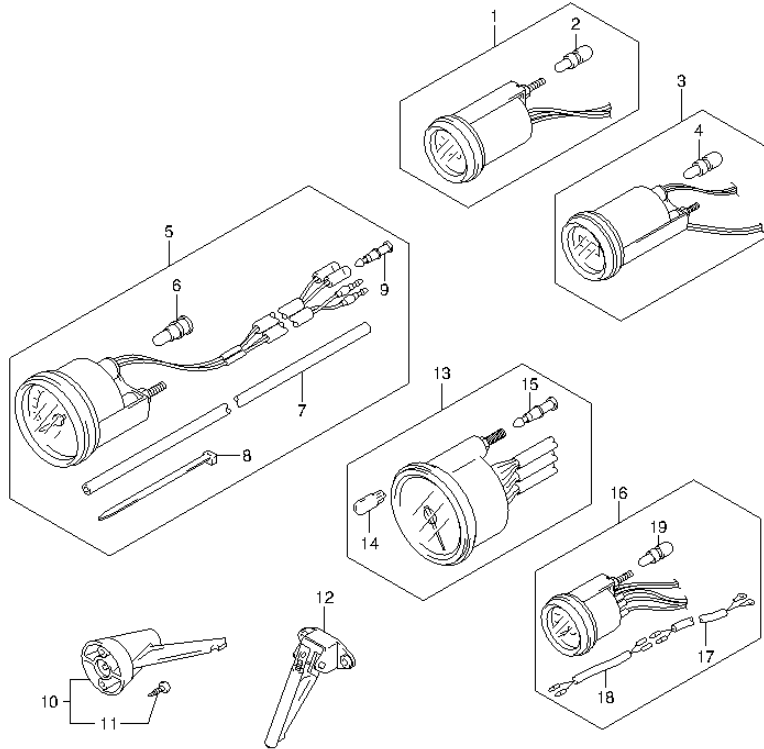


FIG.126 (1-K-14) OPT : METER (DT40WR P90)

REF NO.	PART NO.	DESCRIPTION	Q'TY	REMARKS
1-1	34600-93J00	METER ASSY, VOLTAGE	1	BLACK
1-2	34600-93J11	METER ASSY, VOLTAGE	1	WHITE
2	09471-12103	.BULB (12V, 3W, T6.5)	1	
3-1	34500-93J00	METER ASSY, HOUR	1	BLACK
3-2	34500-93J11	METER ASSY, HOUR	1	WHITE
4	09471-12103	.BULB (12V, 3W, T6.5)	1	
5-1	34100-93J20	SPEEDOMETER ASSY	1	MAX 80KM/H BLACK
5-2	34100-93J31	SPEEDOMETER ASSY	1	MAX 80KM/H WHITE
5-3	34100-93J40	SPEEDOMETER ASSY	1	MAX 45KNOTS BLACK
5-4	34100-93J51	SPEEDOMETER ASSY	1	MAX 45KNOTS WHITE
6	09471-12028	.BULB (12V,3.4W)	1	
7	34191-92E00	.TUBE	1	
8	09407-14407	.CLAMP (L:145)	2	
9	36615-96300	.TERMINAL, RESIN	2	
10	34190-95500	SENDER ASSY, SPEEDOMETER	1	
11	03112-06303	.SCREW	2	
12	34190-87D00	SENDER ASSY, SPEEDOMETER	1	
13-1	34200-93J20	TACHOMETER ASSY	1	BLACK
13-2	34200-93J31	TACHOMETER ASSY	1	WHITE
14	09471-12028	.BULB (12V,3.4W)	1	
15	36615-96300	.TERMINAL	4	
16-1	34300-93J00	GAUGE ASSY, FUEL	1	BLACK
16-2	34300-93J11	GAUGE ASSY, FUEL	1	WHITE
17	34310-92E00	.LEAD, FUEL GAUGE	1	
18	34360-92E00	.ADAPTER, FUEL GAUGE	1	
19	09471-12103	.BULB (12V, 3W, T6.5)	1	

FIG.127

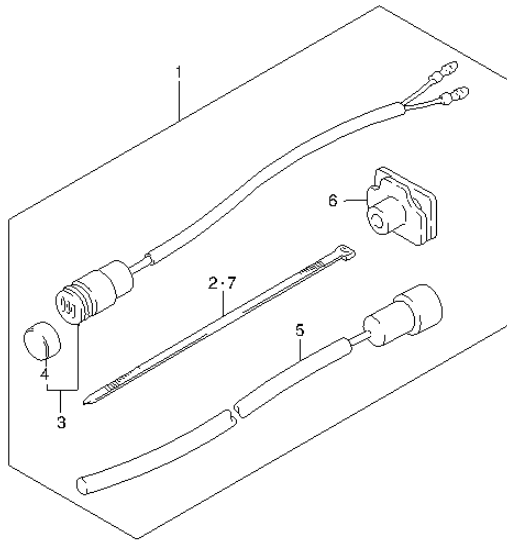


FIG.127 (1-K-15) OPT : ELECTRICAL (MANUAL STARTER) (DT40W P40)

REF NO.	PART NO.	DESCRIPTION	Q'TY	REMARKS
1	39600-93910	RECEPTACLE SET	1	
2	09407-25402	.CLAMP (L:248)	1	
3	39601-95D00	.RECEPTACLE ASSY, LIGHTING	1	
4	36634-93910	..CAP	1	
5	39602-93900	.PLUG ASSY, LIGHTING	1	
6	39603-94400	.GROMMET, LIGHTING CABLE	1	
7	09407-10403	.CLAMP (L:95)	1	
8	32801-94402	RECTIFIER SET	1	
9	32800-95D01	.RECTIFIER ASSY	1	
10	36740-95253	.CASE ASSY, FUSE	1	
11	09481-20001	..FUSE (20A)	1	
12	37132-93700	.CONNECTOR, LEAD	1	
13	02142-05257	.SCREW	1	
14	08310-00057	.NUT	1	
15	08321-0105A	.LOCK WASHER	1	
16	36990-87D00	TERMINAL/SLEEVE SET	1	

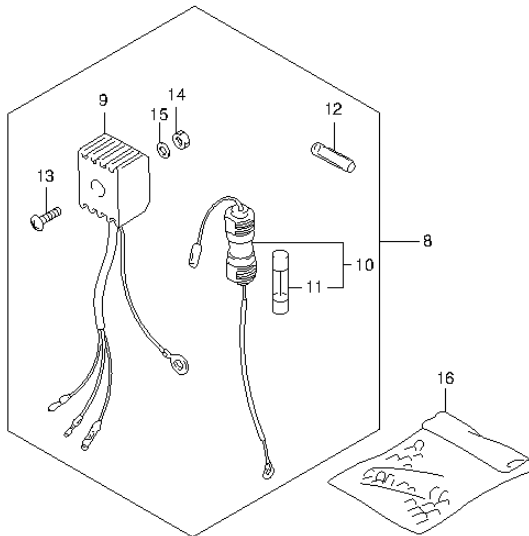


FIG.128

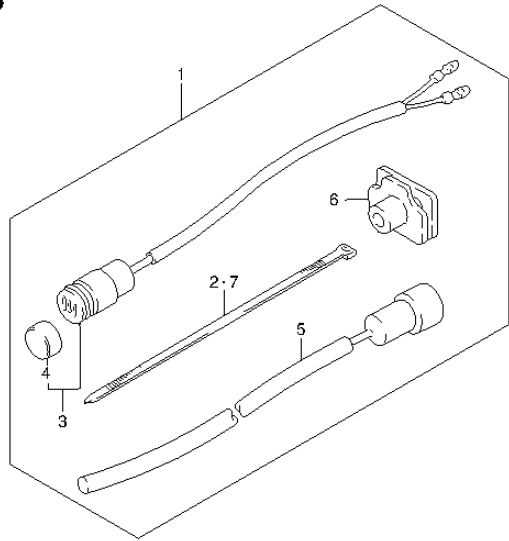


FIG.128 (1-L-2) OPT : ELECTRICAL (MANUAL STARTER) (DT40W P90)

REF NO.	PART NO.	DESCRIPTION	Q'TY	REMARKS
1	39600-93910	RECEPTACLE SET	1	
2	09407-25402	.CLAMP (L:248)	1	
3	39601-95D00	.RECEPTACLE ASSY, LIGHTING	1	
4	36634-93910	..CAP	1	
5	39602-93900	.PLUG ASSY, LIGHTING	1	
6	39603-94400	.GROMMET, LIGHTING CABLE	1	
7	09407-10403	.CLAMP (L:95)	1	
8	32801-94402	RECTIFIER SET	1	
9	32800-95D01	.RECTIFIER ASSY	1	
10	36740-95253	.CASE ASSY, FUSE	1	
11	09481-20001	..FUSE (20A)	1	
12	37132-93700	.CONNECTOR, LEAD	1	
13	02142-05257	.SCREW	1	
14	08310-00057	.NUT	1	
15	08321-0105A	.LOCK WASHER	1	
16	36990-87D00	TERMINAL/SLEEVE SET	1	

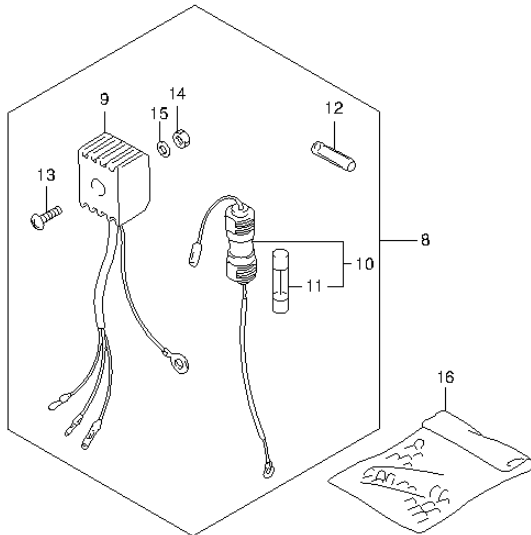


FIG.129

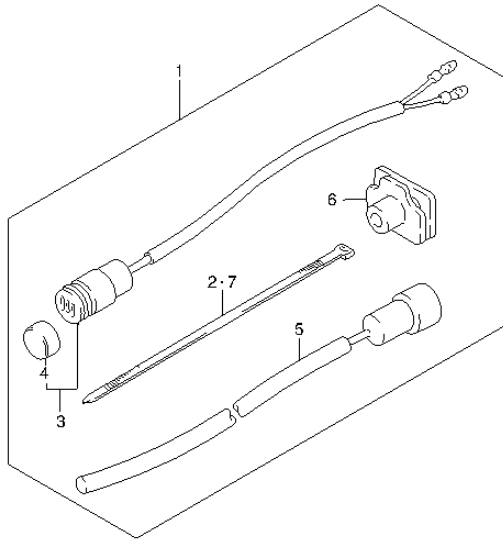


FIG.129 (1-L-3) OPT : ELECTRICAL (MANUAL STARTER) (DT40WK P40)

REF NO.	PART NO.	DESCRIPTION	Q'TY	REMARKS
1	39600-93910	RECEPTACLE SET	1	
2	09407-25402	.CLAMP (L:248)	1	
3	39601-95D00	.RECEPTACLE ASSY, LIGHTING	1	
4	36634-93910	..CAP	1	
5	39602-93900	.PLUG ASSY, LIGHTING	1	
6	39603-94400	.GROMMET, LIGHTING CABLE	1	
7	09407-10403	.CLAMP (L:95)	1	
8	32801-94402	RECTIFIER SET	1	
9	32800-95D01	.RECTIFIER ASSY	1	
10	36740-95253	.CASE ASSY, FUSE	1	
11	09481-20001	..FUSE (20A)	1	
12	37132-93700	.CONNECTOR, LEAD	1	
13	02142-05257	.SCREW	1	
14	08310-00057	.NUT	1	
15	08321-0105A	.LOCK WASHER	1	
16	36990-87D00	TERMINAL/SLEEVE SET	1	

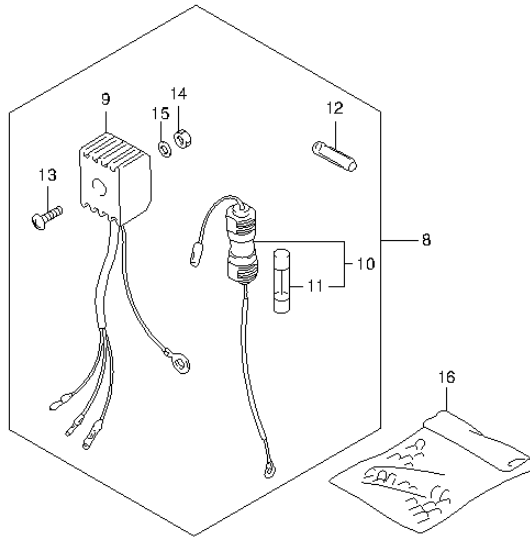


FIG.130

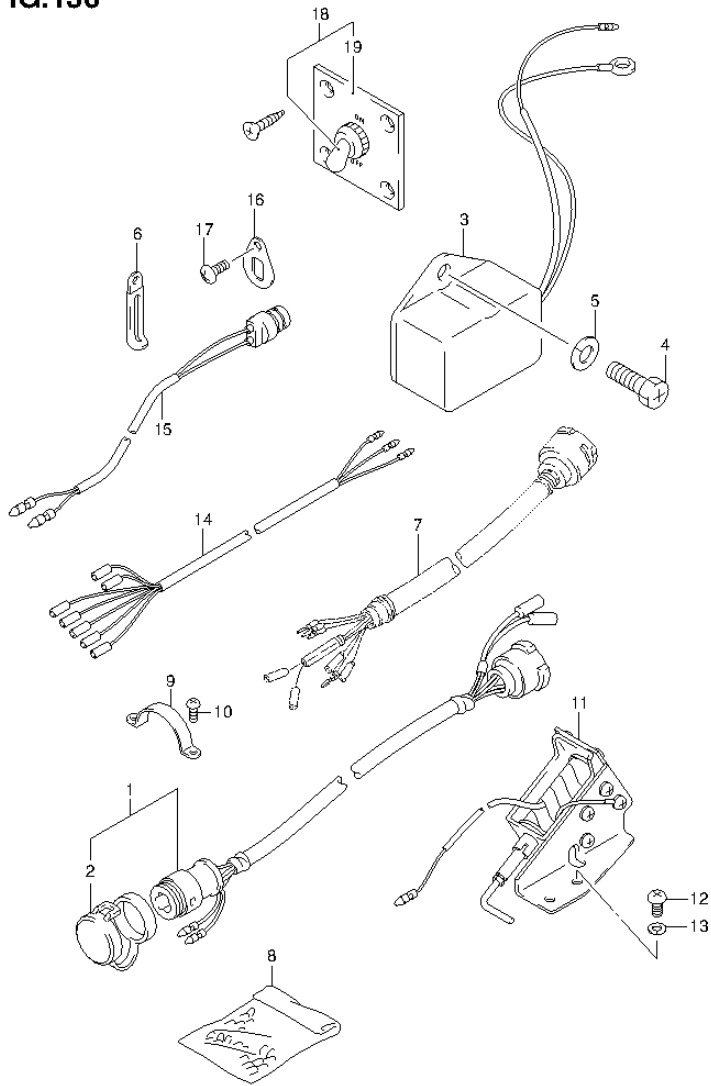


FIG.130 (1-L-4) OPT : ELECTRICAL (ELECTRIC STARTER) (DT40W P40)

REF NO.	PART NO.	DESCRIPTION	Q'TY	REMARKS
1-1	36620-87D20	WIRING HARNESS EXTENSION	1	L:5000
1-2	36620-95302	WIRING HARNESS EXTENSION	1	L:2000
2	36631-94300	.CAP	1	
3	32500-95722	REGULATOR ASSY, VOLTAGE	1	
4	02162-06127	SCREW	2	
5	08321-01067	LOCK WASHER	2	
6	29404-93J10	CLAMP	1	
7	36620-92E00	WIRING ASSY, REMOCON EXTENSION	1	
8	36990-87D00	TERMINAL/SLEEVE SET	1	
9	38501-95500	BAND, BUZZER	1	
10	02112-05087	SCREW	2	
11	38600-94400	SOLENOID ASSY, CHOKE	1	
12	02112-05107	SCREW	2	
13	08321-0105A	LOCK WASHER	2	
14	36630-92E00	WIRE, INSTRUMENT	1	
15	34850-94610	SENSOR ASSY, HEAT	1	
16	34853-94700	SUPPORTER, HEAT SENSOR	1	
17	29125-93J00	SCREW	1	
18	37210-93J00	PANEL ASSY, LIGHTING SW	1	
19	37212-93J00	.PANEL, LIGHTING SW	1	

FIG.131

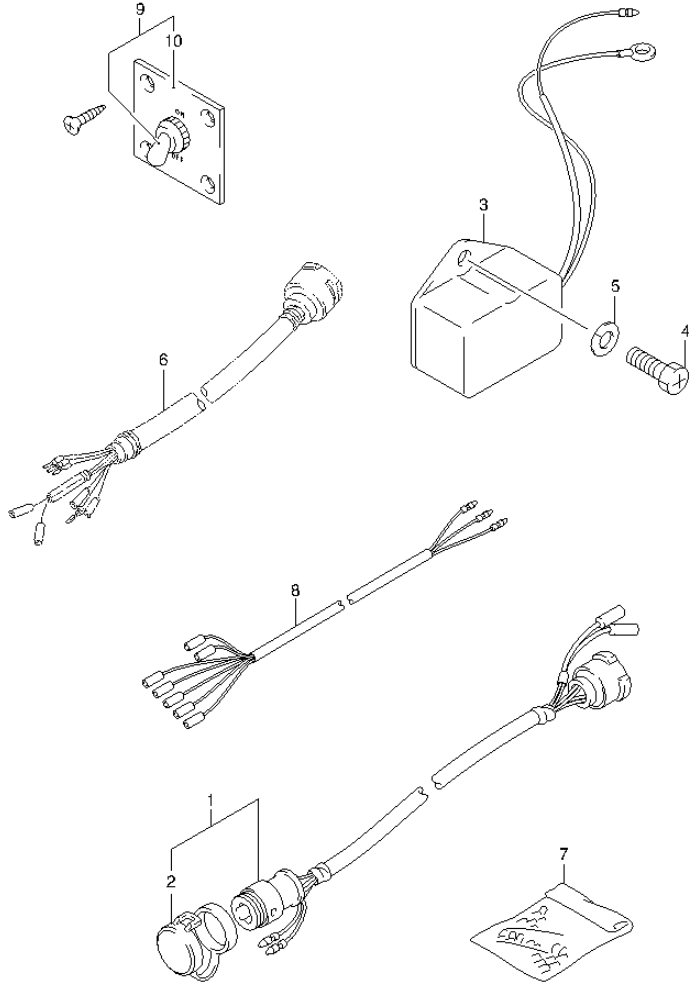


FIG.131 (1-L-5) OPT : ELECTRICAL (ELECTRIC STARTER) (DT40WR P40)

REF NO.	PART NO.	DESCRIPTION	Q'TY	REMARKS
1-1	36620-87D20	WIRING HARNESS EXTENSION	1	L:5000
1-2	36620-95302	WIRING HARNESS EXTENSION	1	L:2000
2	36631-94300	.CAP	1	
3	32500-95722	REGULATOR ASSY, VOLTAGE	1	
4	02162-06127	SCREW	2	
5	08321-01067	LOCK WASHER	2	
6	36620-92E00	WIRING ASSY, REMOCON EXTENSION	1	
7	36990-87D00	TERMINAL/SLEEVE SET	1	
8	36630-92E00	WIRE, INSTRUMENT	1	
9	37210-93J00	PANEL ASSY, LIGHTING SW	1	
10	37212-93J00	.PANEL, LIGHTING SW	1	

FIG.132

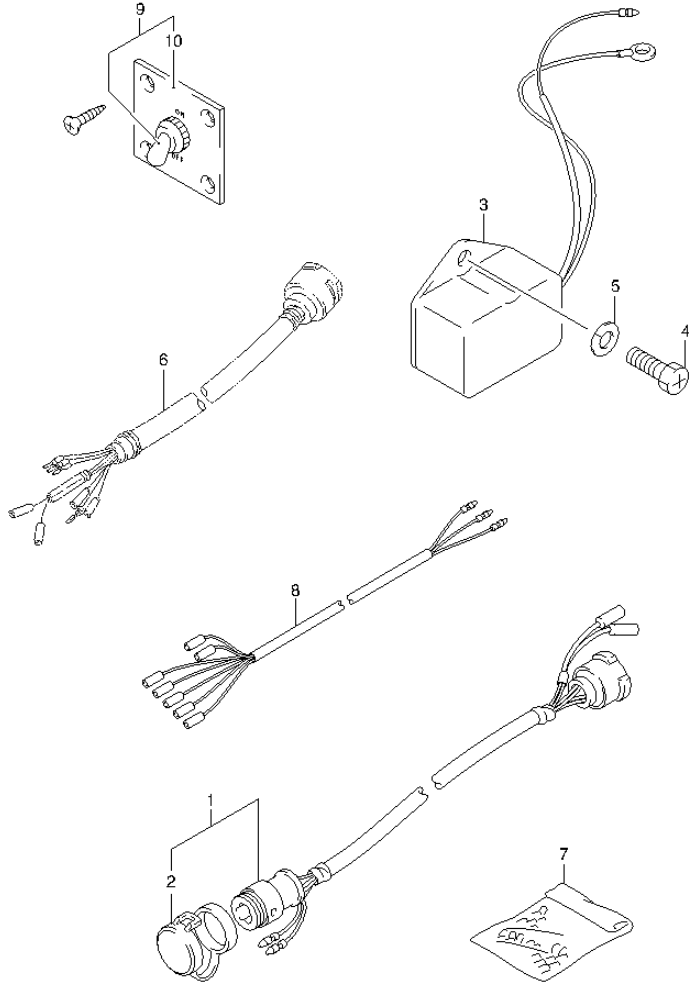


FIG.132 (1-L-6) OPT : ELECTRICAL (ELECTRIC STARTER) (DT40WR P90)

REF NO.	PART NO.	DESCRIPTION	Q'TY	REMARKS
1-1	36620-87D20	WIRING HARNESS EXTENSION	1	L:5000
1-2	36620-95302	WIRING HARNESS EXTENSION	1	L:2000
2	36631-94300	.CAP	1	
3	32500-95722	REGULATOR ASSY, VOLTAGE	1	
4	02162-06127	SCREW	2	
5	08321-01067	LOCK WASHER	2	
6	36620-92E00	WIRING ASSY, REMOCON EXTENSION	1	
7	36990-87D00	TERMINAL/SLEEVE SET	1	
8	36630-92E00	WIRE, INSTRUMENT	1	
9	37210-93J00	PANEL ASSY, LIGHTING SW	1	
10	37212-93J00	.PANEL, LIGHTING SW	1	

FIG.133

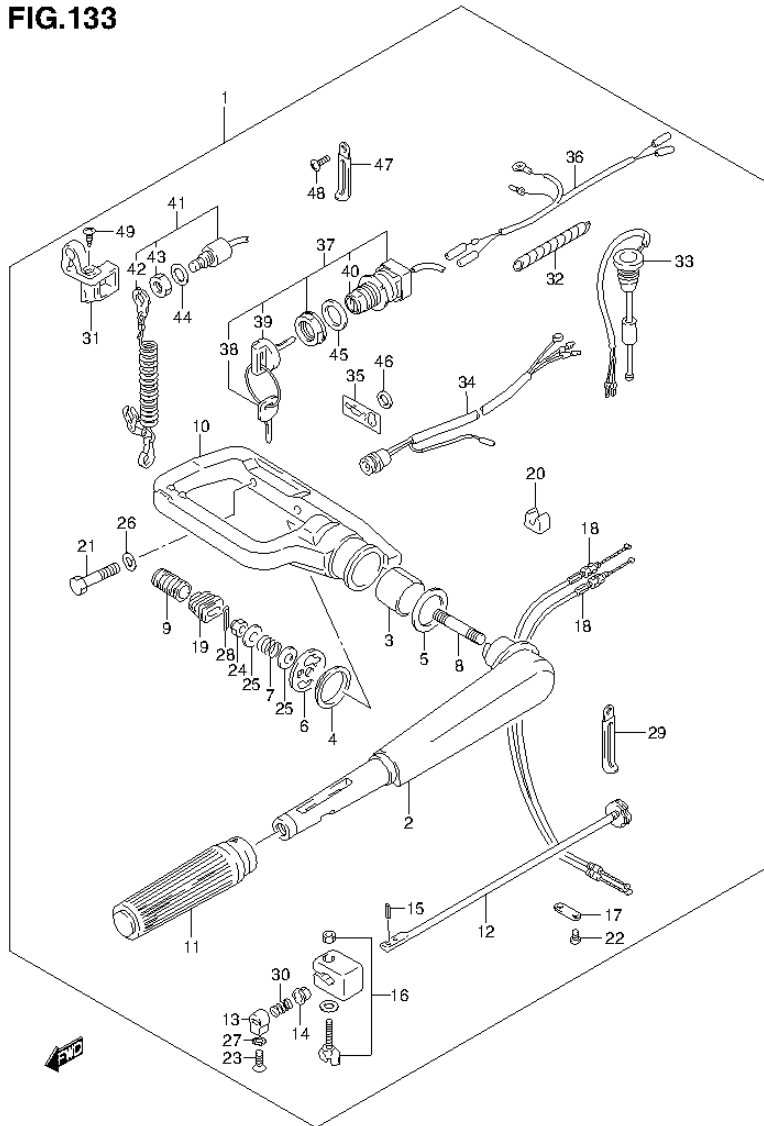


FIG.133 (1-L-7) OPT : TILLER HANDLE (DT40WR P40)

REF NO.	PART NO.	DESCRIPTION	Q'TY	REMARKS
1	63001-97E10-0EP	HANDLE ASSY, TILLER (BLACK)	1	
2	63111-97E05-0EP	.HANDLE, TILLER (BLACK)	1	
3	63115-97E00	.BUSH, TILLER HANDLE	1	
4	63116-97E00	.WASHER, TILLER HANDLE NO.1	1	
5	63117-97E01	.WASHER, TILLER HANDLE NO.2	1	
6	63125-97E01	.PLATE, TILLER HANDLE	1	
7	63126-97E01	.SPRING, HANDLE STUD	1	
8	09108-10137	.STUD BOLT	1	
9	63128-97E00	.COVER, HANDLE NUT	1	
10	63131-97E03-0EP	.BRACKET, TILLER HANDLE (BLACK)	1	
11	63210-93E30	.GRIP	1	
12	63220-96302	.ROD, HANDLE	1	
13	63223-92D00	.STOPPER, HANDLE ROD	1	
14	63225-93200	.BUSH, HANDLE ROD	1	
15	63227-93200	.PIN, HANDLE ROD	1	
16	63240-97E20	.ADJUSTER SET, HANDLE GRIP	1	
17	63241-92D00	.SUPPORT, HANDLE ROD	1	
18	63610-94402	.CABLE ASSY, THROTTLE	2	
19	63625-96300	.GROMMET, THROTTLE CABLE	1	
20	63627-94400	.GUIDE, THROTTLE CABLE	1	
21	09100-10155	.BOLT (10X50)	2	
22	09125-05046	.SCREW (5X12)	2	
23	09126-06015	.SCREW (6X23)	1	
24	09159-10L07	.NUT	1	
25	09160-10082	.WASHER (10.5X19X2)	2	
26	09162-10005	.LOCK WASHER	2	
27	09163-06001	.LOCK WASHER	1	
28	09204-01002	.PIN	1	
29	29404-93J20	.CLAMP, THROTTLE CABLE	1	
30	09440-12027	.SPRING	1	
31	33816-96300	.CLAMP, CABLE	1	
32	33833-91J00	.TUBE, EMERGENCY SWITCH LEAD	1	
33	34860-94402	.SENSOR ASSY, OIL LEVEL	1	

FIG.133

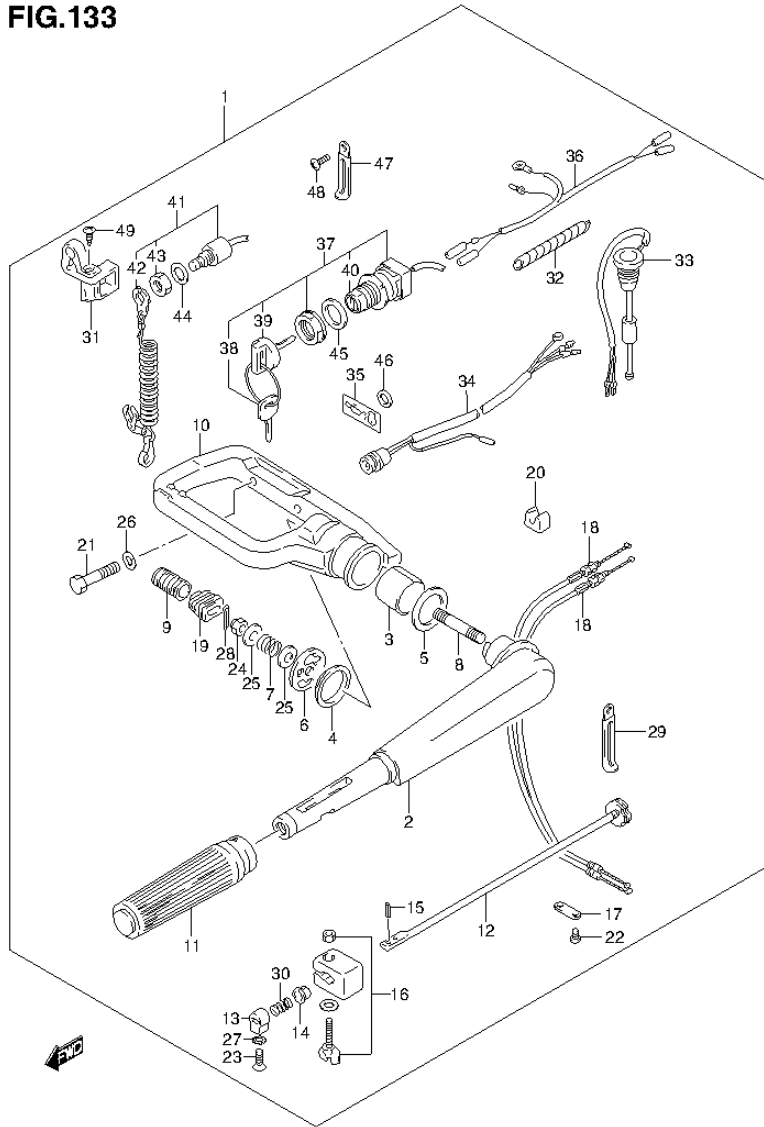


FIG.133 (1-L-8) OPT : TILLER HANDLE (DT40WR P40)

REF NO.	PART NO.	DESCRIPTION	Q'TY	REMARKS
34	36360-94400	..LAMP ASSY, OIL WARNING	1	
35	36367-95D10-064	..LABEL, OIL (WHITE)	1	
36	36893-94410	..WIRE ASSY, IGNITION SW EXT	1	
37	37110-94471	..SWITCH ASSY, IGNITION	1	
38-1	37141-99E00	..KEY (931)	1	
38-2	37141-99E10	..KEY (932)	1	
38-3	37141-99E20	..KEY (933)	1	
38-4	37141-99E30	..KEY (934)	1	
38-5	37141-99E40	..KEY (935)	1	
38-6	37141-99E50	..KEY (936)	1	
38-7	37141-99E60	..KEY (937)	1	
38-8	37141-99E70	..KEY (938)	1	
38-9	37141-99E80	..KEY (939)	1	
38-10	37141-99E90	..KEY (940)	1	
38-11	37141-99EA0	..KEY (941)	1	
38-12	37141-99EB0	..KEY (942)	1	
39	37143-99E00	..CAP, KEY	1	
40	37149-93J00	..CAP, CYLINDER BODY	1	
41	37820-92E03	..SWITCH ASSY, EMERGENCY	1	
42	37823-92E01	..PLATE	1	
43	37826-92E00	..NUT	1	
44	09160-12067	..WASHER (12.5X23X1)	1	
45	09160-25069	..WASHER (25X40X1.1)	1	
46	09320-11004	..CUSHION	1	
47	29404-93J10	..CLAMP, IGNITION SWITCH LEAD	1	
48	02142-06127	..SCREW	1	
49	03241-0625A	..SCREW	1	

FIG.134

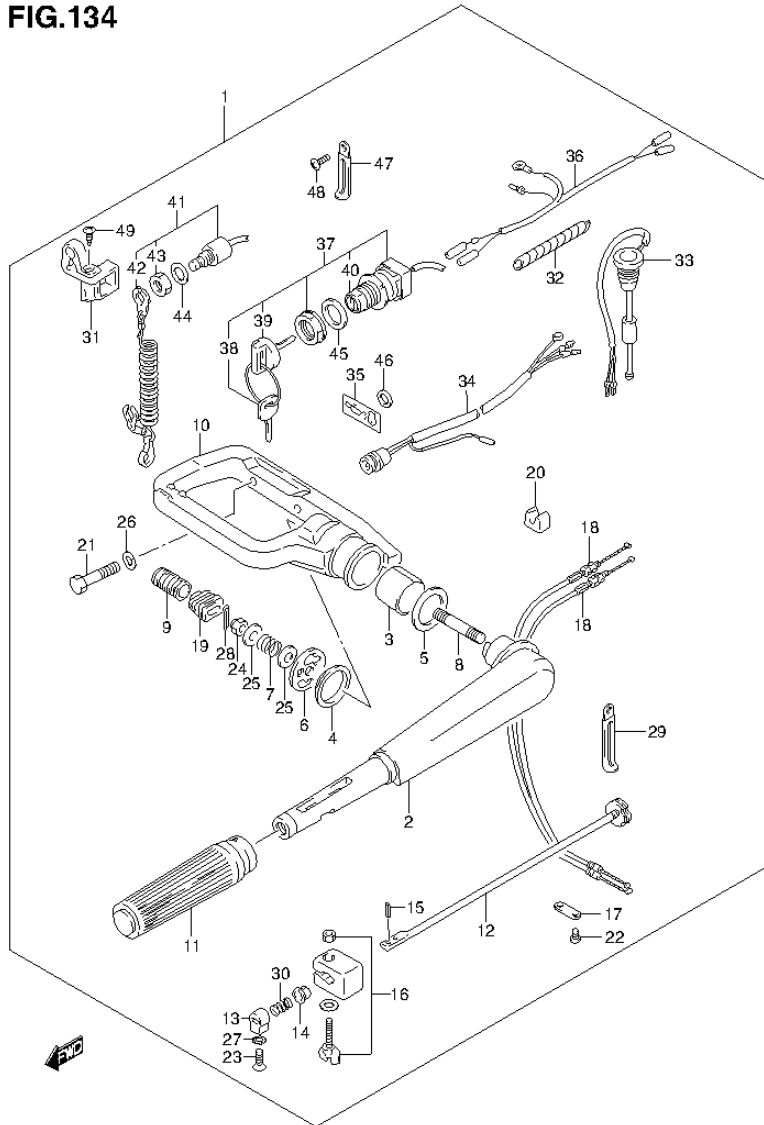


FIG.134 (1-L-9) OPT : TILLER HANDLE (DT40WR P90)

REF NO.	PART NO.	DESCRIPTION	Q'TY	REMARKS
1	63001-97E10-0EP	HANDLE ASSY, TILLER (BLACK)	1	
2	63111-97E05-0EP	.HANDLE, TILLER (BLACK)	1	
3	63115-97E00	.BUSH, TILLER HANDLE	1	
4	63116-97E00	.WASHER, TILLER HANDLE NO.1	1	
5	63117-97E01	.WASHER, TILLER HANDLE NO.2	1	
6	63125-97E01	.PLATE, TILLER HANDLE	1	
7	63126-97E01	.SPRING, HANDLE STUD	1	
8	09108-10137	.STUD BOLT	1	
9	63128-97E00	.COVER, HANDLE NUT	1	
10	63131-97E03-0EP	.BRACKET, TILLER HANDLE (BLACK)	1	
11	63210-93E30	.GRIP	1	
12	63220-96302	.ROD, HANDLE	1	
13	63223-92D00	.STOPPER, HANDLE ROD	1	
14	63225-93200	.BUSH, HANDLE ROD	1	
15	63227-93200	.PIN, HANDLE ROD	1	
16	63240-97E20	.ADJUSTER SET, HANDLE GRIP	1	
17	63241-92D00	.SUPPORT, HANDLE ROD	1	
18	63610-94402	.CABLE ASSY, THROTTLE	2	
19	63625-96300	.GROMMET, THROTTLE CABLE	1	
20	63627-94400	.GUIDE, THROTTLE CABLE	1	
21	09100-10155	.BOLT (10X50)	2	
22	09125-05046	.SCREW (5X12)	2	
23	09126-06015	.SCREW (6X23)	1	
24	09159-10L07	.NUT	1	
25	09160-10082	.WASHER (10.5X19X2)	2	
26	09162-10005	.LOCK WASHER	2	
27	09163-06001	.LOCK WASHER	1	
28	09204-01002	.PIN	1	
29	29404-93J20	.CLAMP, THROTTLE CABLE	1	
30	09440-12027	.SPRING	1	
31	33816-96300	.CLAMP, CABLE	1	
32	33833-91J00	.TUBE, EMERGENCY SWITCH LEAD	1	
33	34860-94402	.SENSOR ASSY, OIL LEVEL	1	

FIG.134

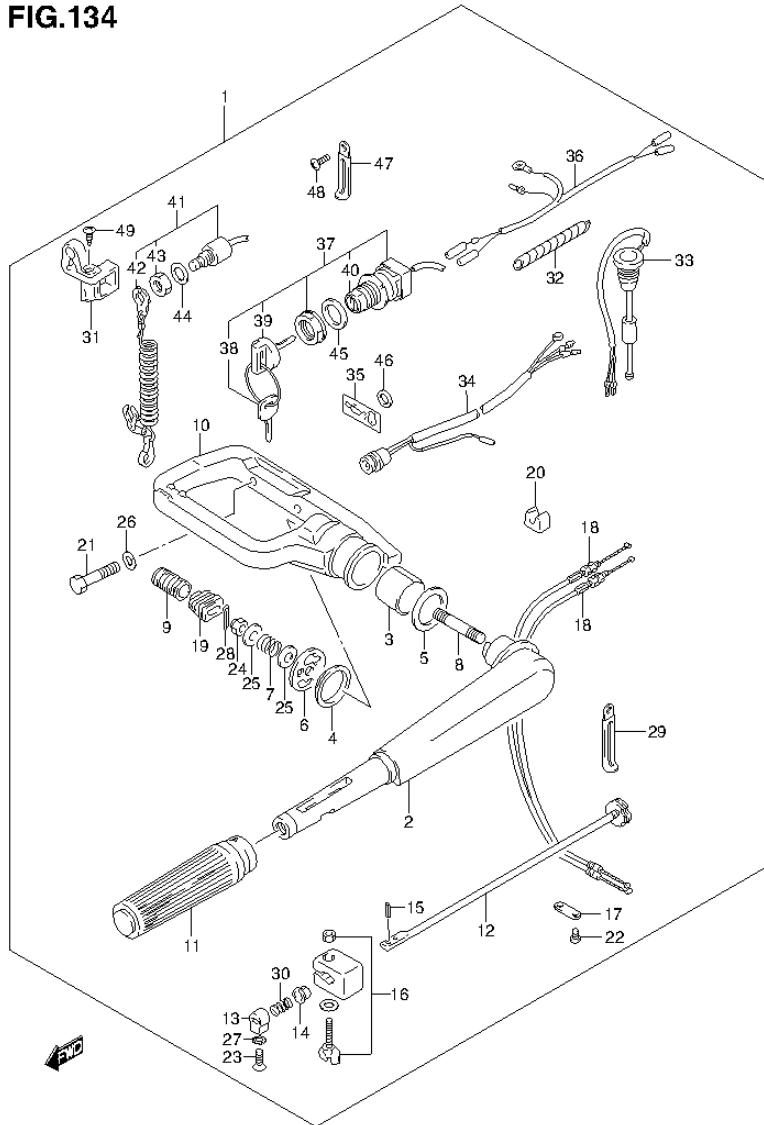


FIG.134 (1-L-10) OPT : TILLER HANDLE (DT40WR P90)

REF NO.	PART NO.	DESCRIPTION	Q'TY	REMARKS
34	36360-94400	..LAMP ASSY, OIL WARNING	1	
35	36367-95D10-064	..LABEL, OIL (WHITE)	1	
36	36893-94410	..WIRE ASSY, IGNITION SW EXT	1	
37	37110-94471	..SWITCH ASSY, IGNITION	1	
38-1	37141-99E00	..KEY (931)	1	
38-2	37141-99E10	..KEY (932)	1	
38-3	37141-99E20	..KEY (933)	1	
38-4	37141-99E30	..KEY (934)	1	
38-5	37141-99E40	..KEY (935)	1	
38-6	37141-99E50	..KEY (936)	1	
38-7	37141-99E60	..KEY (937)	1	
38-8	37141-99E70	..KEY (938)	1	
38-9	37141-99E80	..KEY (939)	1	
38-10	37141-99E90	..KEY (940)	1	
38-11	37141-99EA0	..KEY (941)	1	
38-12	37141-99EB0	..KEY (942)	1	
39	37143-99E00	..CAP, KEY	1	
40	37149-93J00	..CAP, CYLINDER BODY	1	
41	37820-92E03	..SWITCH ASSY, EMERGENCY	1	
42	37823-92E01	..PLATE	1	
43	37826-92E00	..NUT	1	
44	09160-12067	..WASHER (12.5X23X1)	1	
45	09160-25069	..WASHER (25X40X1.1)	1	
46	09320-11004	..CUSHION	1	
47	29404-93J10	..CLAMP, IGNITION SWITCH LEAD	1	
48	02142-06127	..SCREW	1	
49	03241-0625A	..SCREW	1	

FIG.135

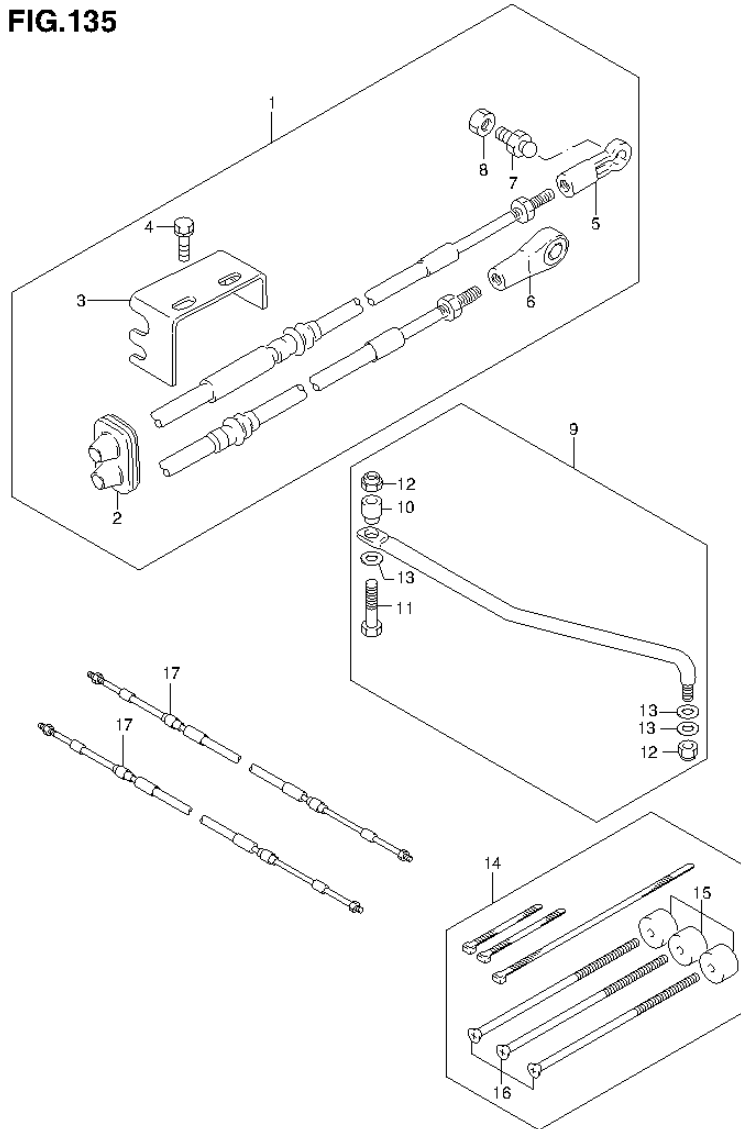


FIG.135 (1-L-11) OPT : REMOCON PARTS (DT40W P40)

REF NO.	PART NO.	DESCRIPTION	Q'TY	REMARKS
1	67130-94812	PARTS ASSY, REMOCON	1	
2	67331-94400	.GROMMET, REMOCON CABLE	1	
3	67341-94400	.HOLDER, REMOCON CABLE	1	
4	09116-06237	.BOLT (6X15)	2	
5	67466-95200	.CONNECTOR, REMOCON CABLE	1	
6	67467-94404	.CONNECTOR, REMOCON CABLE (CL)	1	
7	09119-06047	.PIVOT	1	
8	29141-93J00	.NUT	1	
9	67701-94430	LINK ASSY, DRAG	1	
10	67721-94310	.SPACER	1	
11	67725-99E10	.BOLT	1	
12	67726-99E00	.NUT	2	
13	67728-99E00	.WASHER	3	
14	67140-95600	ATTACHMENT KIT, TWIN R/CON	1	
15	67294-95600	.SPACER	3	
16	67296-95620	.SCREW	3	
17-1	67320-93J00	CABLE, REMOCON 8F (2.4M)	2	
17-2	67320-93J10	CABLE, REMOCON 10F (3.1M)	2	
17-3	67320-93J20	CABLE, REMOCON 12F (3.7M)	2	
17-4	67320-93J30	CABLE, REMOCON 14F (4.3M)	2	
17-5	67320-93J40	CABLE, REMOCON 16F (4.9M)	2	
17-6	67320-93J50	CABLE, REMOCON 18F (5.5M)	2	
17-7	67320-93J60	CABLE, REMOCON 20F (6.1M)	2	
17-8	67320-93J70	CABLE, REMOCON 22F (6.7M)	2	
17-9	67320-93J80	CABLE, REMOCON 24F (7.3M)	2	

FIG.136

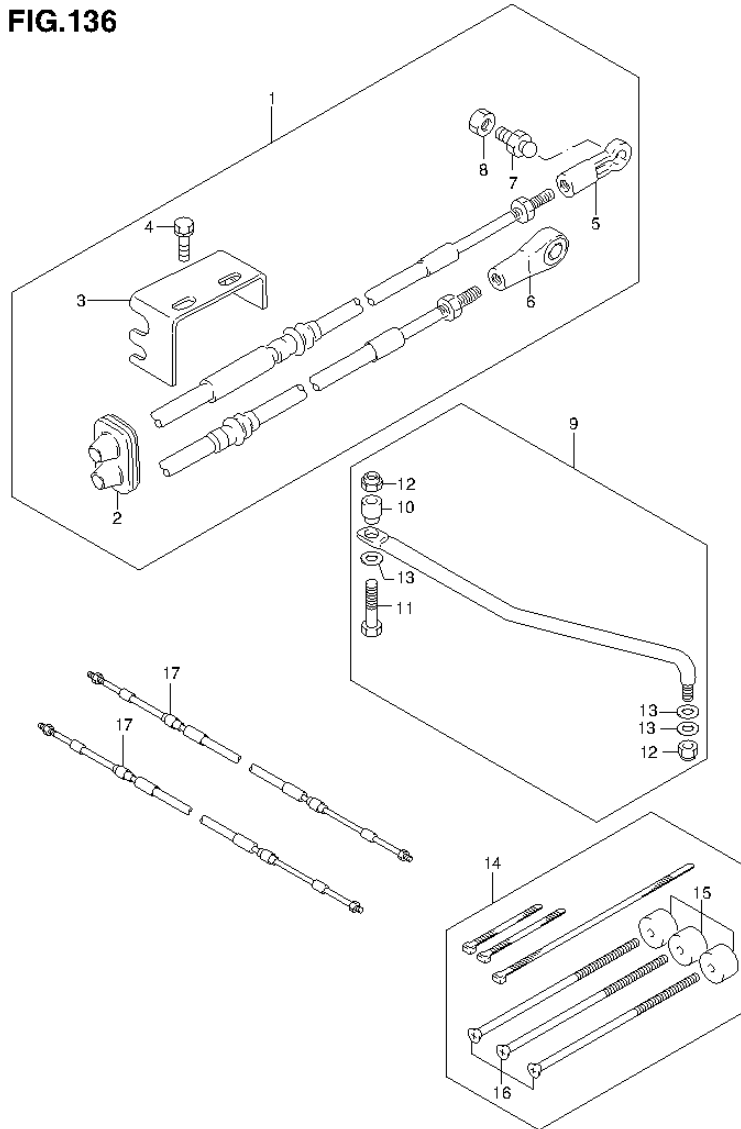


FIG.136 (1-L-12) OPT : REMOCON PARTS (DT40W P90)

REF NO.	PART NO.	DESCRIPTION	Q'TY	REMARKS
1	67130-94812	PARTS ASSY, REMOCON	1	
2	67331-94400	.GROMMET, REMOCON CABLE	1	
3	67341-94400	.HOLDER, REMOCON CABLE	1	
4	09116-06237	.BOLT (6X15)	2	
5	67466-95200	.CONNECTOR, REMOCON CABLE	1	
6	67467-94404	.CONNECTOR, REMOCON CABLE (CL)	1	
7	09119-06047	.PIVOT	1	
8	29141-93J00	.NUT	1	
9	67701-94430	LINK ASSY, DRAG	1	
10	67721-94310	.SPACER	1	
11	67725-99E10	.BOLT	1	
12	67726-99E00	.NUT	2	
13	67728-99E00	.WASHER	3	
14	67140-95600	ATTACHMENT KIT, TWIN R/CON	1	
15	67294-95600	.SPACER	3	
16	67296-95620	.SCREW	3	
17-1	67320-93J00	CABLE, REMOCON 8F (2.4M)	2	
17-2	67320-93J10	CABLE, REMOCON 10F (3.1M)	2	
17-3	67320-93J20	CABLE, REMOCON 12F (3.7M)	2	
17-4	67320-93J30	CABLE, REMOCON 14F (4.3M)	2	
17-5	67320-93J40	CABLE, REMOCON 16F (4.9M)	2	
17-6	67320-93J50	CABLE, REMOCON 18F (5.5M)	2	
17-7	67320-93J60	CABLE, REMOCON 20F (6.1M)	2	
17-8	67320-93J70	CABLE, REMOCON 22F (6.7M)	2	
17-9	67320-93J80	CABLE, REMOCON 24F (7.3M)	2	

FIG.137

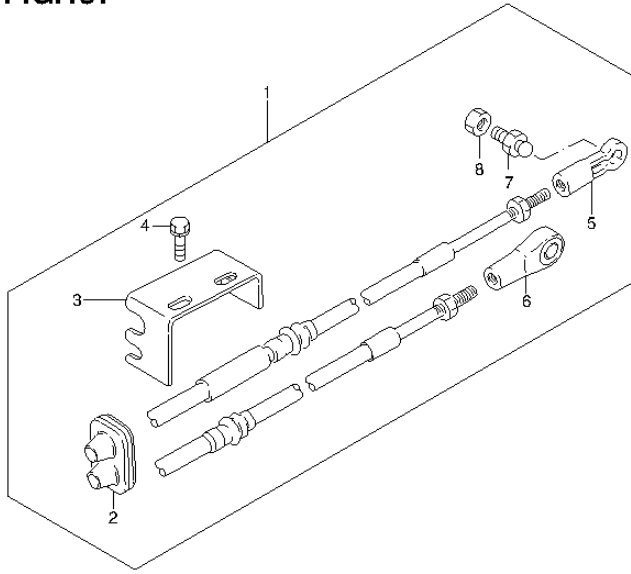


FIG.137 (1-L-13) OPT : REMOCON PARTS (DT40WR P40)

REF NO.	PART NO.	DESCRIPTION	Q'TY	REMARKS
1	67130-94812	PARTS ASSY, REMOCON	1	
2	67331-94400	.GROMMET, REMOCON CABLE	1	
3	67341-94400	.HOLDER, REMOCON CABLE	1	
4	09116-06237	.BOLT (6X15)	2	
5	67466-95200	.CONNECTOR, REMOCON CABLE	1	
6	67467-94404	.CONNECTOR, REMOCON CABLE (CL)	1	
7	09119-06047	.PIVOT	1	
8	29141-93J00	.NUT	1	
9	67140-95600	ATTACHMENT KIT, TWIN R/CON	1	
10	67294-95600	.SPACER	3	
11	67296-95620	.SCREW	3	
12-1	67320-93J00	CABLE, REMOCON 8F (2.4M)	2	
12-2	67320-93J10	CABLE, REMOCON 10F (3.1M)	2	
12-3	67320-93J20	CABLE, REMOCON 12F (3.7M)	2	
12-4	67320-93J30	CABLE, REMOCON 14F (4.3M)	2	
12-5	67320-93J40	CABLE, REMOCON 16F (4.9M)	2	
12-6	67320-93J50	CABLE, REMOCON 18F (5.5M)	2	
12-7	67320-93J60	CABLE, REMOCON 20F (6.1M)	2	
12-8	67320-93J70	CABLE, REMOCON 22F (6.7M)	2	
12-9	67320-93J80	CABLE, REMOCON 24F (7.3M)	2	

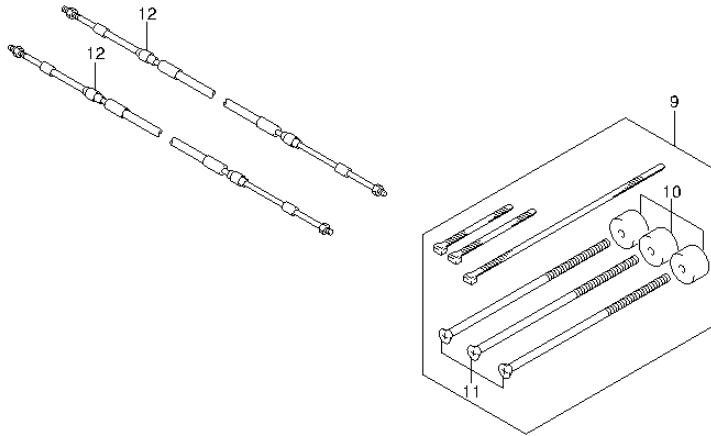


FIG.138

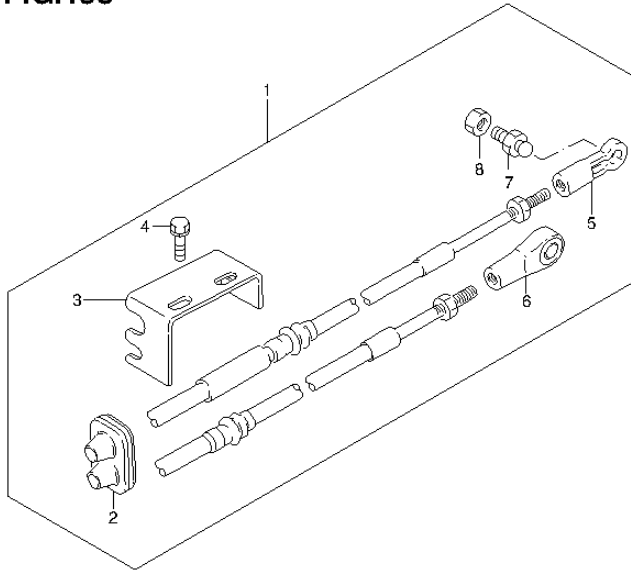


FIG.138 (1-L-14) OPT : REMOCON PARTS (DT40WR P90)

REF NO.	PART NO.	DESCRIPTION	Q'TY	REMARKS
1	67130-94812	PARTS ASSY, REMOCON	1	
2	67331-94400	.GROMMET, REMOCON CABLE	1	
3	67341-94400	.HOLDER, REMOCON CABLE	1	
4	09116-06237	.BOLT (6X15)	2	
5	67466-95200	.CONNECTOR, REMOCON CABLE	1	
6	67467-94404	.CONNECTOR, REMOCON CABLE (CL)	1	
7	09119-06047	.PIVOT	1	
8	29141-93J00	.NUT	1	
9	67140-95600	ATTACHMENT KIT, TWIN R/CON	1	
10	67294-95600	.SPACER	3	
11	67296-95620	.SCREW	3	
12-1	67320-93J00	CABLE, REMOCON 8F (2.4M)	2	
12-2	67320-93J10	CABLE, REMOCON 10F (3.1M)	2	
12-3	67320-93J20	CABLE, REMOCON 12F (3.7M)	2	
12-4	67320-93J30	CABLE, REMOCON 14F (4.3M)	2	
12-5	67320-93J40	CABLE, REMOCON 16F (4.9M)	2	
12-6	67320-93J50	CABLE, REMOCON 18F (5.5M)	2	
12-7	67320-93J60	CABLE, REMOCON 20F (6.1M)	2	
12-8	67320-93J70	CABLE, REMOCON 22F (6.7M)	2	
12-9	67320-93J80	CABLE, REMOCON 24F (7.3M)	2	

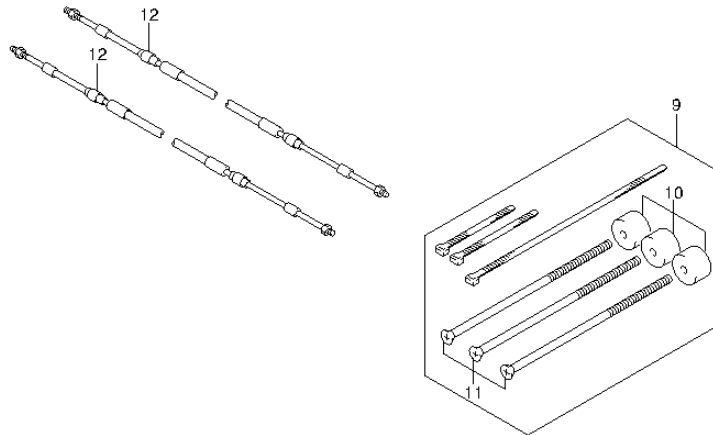


FIG.139

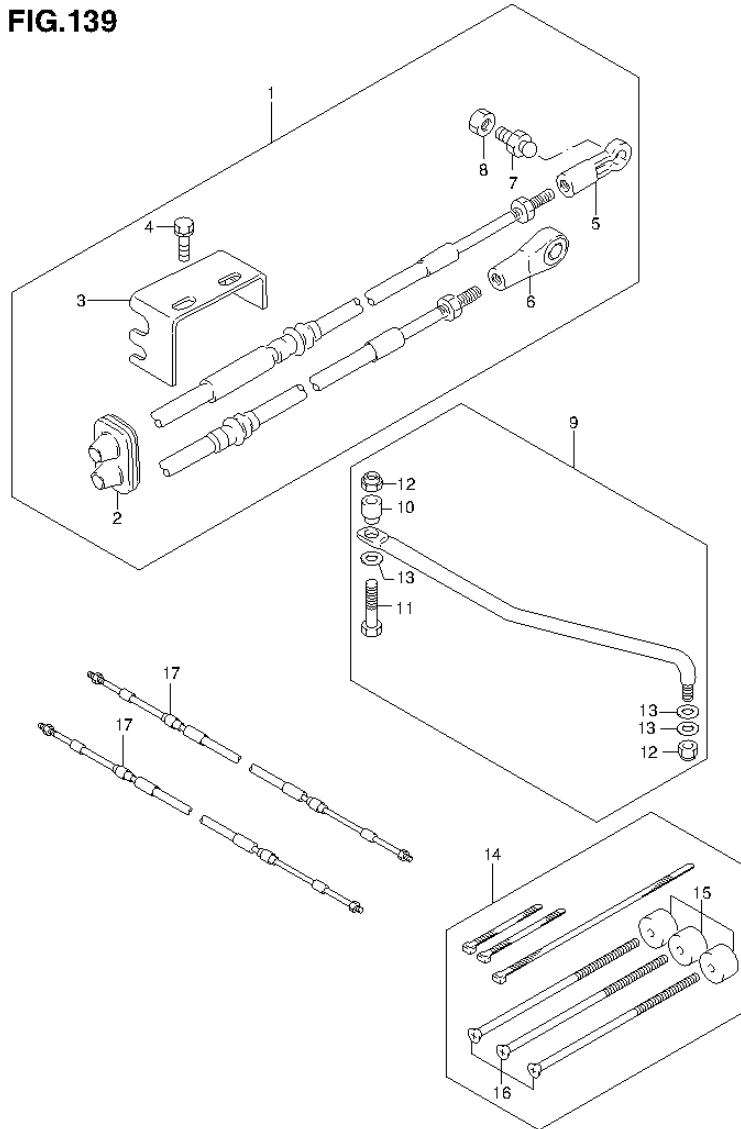


FIG.139 (1-L-15) OPT : REMOCON PARTS (DT40WK P40)

REF NO.	PART NO.	DESCRIPTION	Q'TY	REMARKS
1	67130-94812	PARTS ASSY, REMOCON	1	
2	67331-94400	.GROMMET, REMOCON CABLE	1	
3	67341-94400	.HOLDER, REMOCON CABLE	1	
4	09116-06237	.BOLT (6X15)	2	
5	67466-95200	.CONNECTOR, REMOCON CABLE	1	
6	67467-94404	.CONNECTOR, REMOCON CABLE (CL)	1	
7	09119-06047	.PIVOT	1	
8	29141-93J00	.NUT	1	
9	67701-94430	LINK ASSY, DRAG	1	
10	67721-94310	.SPACER	1	
11	67725-99E10	.BOLT	1	
12	67726-99E00	.NUT	2	
13	67728-99E00	.WASHER	3	
14	67140-95600	ATTACHMENT KIT, TWIN R/CON	1	
15	67294-95600	.SPACER	3	
16	67296-95620	.SCREW	3	
17-1	67320-93J00	CABLE, REMOCON 8F (2.4M)	2	
17-2	67320-93J10	CABLE, REMOCON 10F (3.1M)	2	
17-3	67320-93J20	CABLE, REMOCON 12F (3.7M)	2	
17-4	67320-93J30	CABLE, REMOCON 14F (4.3M)	2	
17-5	67320-93J40	CABLE, REMOCON 16F (4.9M)	2	
17-6	67320-93J50	CABLE, REMOCON 18F (5.5M)	2	
17-7	67320-93J60	CABLE, REMOCON 20F (6.1M)	2	
17-8	67320-93J70	CABLE, REMOCON 22F (6.7M)	2	
17-9	67320-93J80	CABLE, REMOCON 24F (7.3M)	2	

PART NO.	FIG.NO.-REF.NO.	PART NO.	FIG.NO.-REF.NO.	PART NO.	FIG.NO.-REF.NO.
10000		11431-92L00	26-2	12200-92L20	6-7
			27-2		7-7
			28-2		8-7
			29-2		9-7
			30-2	12200-92L30	10-7
11111-92L20	1-3	11433-92L00	26-1	12211-92L00	6-11
	2-3		27-1		7-11
	3-3		28-1		8-11
	4-3		29-1		9-11
11111-92L30	5-3		30-1		10-11
11141-94450	1-4	11434-92L00	26-3	12221-92L20	6-12
	2-4		27-3		7-12
	3-4		28-3		8-12
	4-4		29-3		9-12
	5-4		30-3		10-12
11161-92L10	1-1	11435-94400	90-7	12231-92L20	6-14
	2-1		91-7		7-14
	3-1		92-7		8-14
	4-1		93-7		9-14
	5-1		94-7		10-14
11162-92L00	1-2	12100-94400-050	6-24	12232-92L20	6-13
	2-2		7-24		7-13
	3-2		8-24		8-13
	4-2		9-24		9-13
	5-2		10-24		10-13
11281-94410	1-19	12110-92L20-0B0	10-1	12240-92L20	6-15
	2-19	12110-94400	6-1		7-15
	3-19		7-1		8-15
	4-19		8-1		9-15
	5-19		9-1		10-15
11291-94402	1-7	12140-92L00	6-2	13111-92L00	11-3
	2-7		7-2		12-3
	3-7		8-2		13-3
	4-7		9-2		14-3
	5-7	12140-94400-050	6-25	13111-94450-0EP	15-3
11300-92L20	1-9		7-25	13125-95210	11-4
	2-9		8-25		12-4
	3-9		9-25		13-4
	4-9		10-25		14-4
	5-9	12140-94410	10-2		15-4
11411-92L10	21-1	12151-92L00	6-3	13126-94450	20-34
	22-1		7-3	13150-92L00	11-6
	23-1		8-3		12-6
	24-1		9-3		13-6
	25-1		10-3		14-6
11413-94411	21-2	12161-92L00	6-8		15-6
	22-2		7-8	13152-92L00	11-8
	23-2		8-8		12-8
	24-2		9-8		13-8
	25-2		10-8		14-8

PART NO.	FIG.NO.-REF.NO.	PART NO.	FIG.NO.-REF.NO.	PART NO.	FIG.NO.-REF.NO.	
13153-92L00			15-8		18-4	
			11-7		19-4	
		13269-98100	12-7	20-30	13651-95300	20-5
		13270-94350	13-7	20-22		20-7
		13271-93311	14-7	16-3	13811-92L00	11-16
		15-7	17-3		12-16	
13200-944D0	20-1		18-3		13-16	
13200-944J0	16-1		19-3		14-16	
	17-1	13282-94350	20-23		15-16	
	18-1	13370-27310	20-25	13812-92L00	11-17	
	19-1	13370-94350	20-17		12-17	
13235-94400	16-6	13370-97E20	16-10		13-17	
	17-6		17-10		14-17	
	18-6		18-10		15-17	
	19-6		19-10	13855-95210	11-18	
13236-94460	20-32	13392-58600	16-20		12-18	
13237-94460	20-33		17-20		13-18	
13245-94350	20-10		18-20		14-18	
13245-94400	16-16		19-20		15-18	
	17-16		20-18	13910-94400	16-24	
	18-16	13415-94350	20-14		17-24	
	19-16	13418-94360	20-13		18-24	
13249-93900	20-6	13419-94400	20-12		19-24	
13250-93012	16-7	13426-95211	16-17		20-38	
	17-7		17-17	14131-92L10	11-13	
	18-7		18-17		12-13	
	19-7		19-17		13-13	
	20-26	13441-94350	20-20		14-13	
13251-95220	16-8	13443-94350	20-4		15-13	
	17-8	13446-94360	20-31	14141-92L10	11-14	
	18-8	13450-94350	20-19		12-14	
	19-8	13462-94351	20-28		13-14	
13254-98300	16-9	13464-96350	16-12		14-14	
	17-9		17-12		15-14	
	18-9		18-12	14151-92L00	11-12	
	19-9		19-12		12-12	
	20-27		20-29		13-12	
13254-98410	20-24	13521-78100	20-21		14-12	
13265-94360	20-16	13534-96300	20-8		15-12	
13267-93900	16-5	13580-94400	16-13	14211-92L10	26-4-1	
	17-5		17-13		27-4	
	18-5		18-13		28-4-1	
	19-5		19-13		29-4	
13268-96111	16-19	13613-94300	16-11		30-4-1	
	17-19		17-11	14211-92L20	26-4-2	
	18-19		18-11		28-4-2	
	19-19		19-11		30-4-2	
	20-9	13631-93501	16-21	14212-94413	26-5	
13269-95210	16-4		17-21		27-5	
	17-4		18-21		28-5	

PART NO.	FIG.NO.-REF.NO.	PART NO.	FIG.NO.-REF.NO.	PART NO.	FIG.NO.-REF.NO.	
15100-94311	29-5	15430-87D10	33-8	17561-92L50	40-11	
	30-5		34-8		36-2-1	
	31-1		35-12			
	32-1		31-9		39-2	
	33-1		32-9		40-2-1	
15100-94460 15170-94320	34-1	15851-94300	33-9	17561-92L60	36-2-2	
	35-1		34-9		38-2-1	
	31-2		35-11		40-2-2	
	32-2		31-5		36-2-3	
	33-2		32-5		38-2-2	
15170-94460 15183-94301	34-2	17400-94412	33-5	17563-94400	40-2-3	
	35-2		34-5		36-16	
	31-3		36-19		37-16	
	32-3		37-19		38-16	
	33-3		38-19		39-16	
15186-94300	34-3	17410-92L00	39-19	17565-94400	40-16	
	31-4		36-3		36-17	
	32-4		37-3		37-17	
	33-4		38-3		38-17	
	34-4		39-3		39-17	
15211-91J00-050 15211-91J00-110	35-17	17431-92L00	40-3	17566-94400	40-17	
	31-10		36-1-3		36-18	
	32-10		38-1-2		37-18	
	33-10		40-1-3		38-18	
	34-10		36-1-1		39-18	
15211-91J00-135	31-11	17431-92L10	37-1	17631-91L00	40-18	
	32-11		39-1		95-4	
	33-11		40-1-1		17635-87E00	95-6
	34-11		36-1-2		17635-87E10	95-26
	35-18		38-1-1		17670-93962	1-18
15211-91J00-140 15211-91J00-400	31-12	17432-96300	40-1-2	17670-94402	2-18	
	32-12		36-15		3-18	
	33-12		37-15		4-18	
	34-12		38-15		5-18	
	35-3		39-15		17681-92L10	1-17
15251-94450 15251-94470 15321-96300 15321-99710	35-4	17461-963L0	40-15	17685-94410	2-17	
	35-21		36-9		3-17	
	31-6		37-9		4-17	
	32-6		38-9		5-17	
	33-6		39-9		1-16	
15322-96300 15410-94350 15410-94400	34-6	17471-92L00	40-9	18100-92L00	2-16	
	35-25		36-10		3-16	
	35-20		37-10		4-16	
	31-7		38-10		5-16	
	32-7		39-10		41-1	
15413-87D10	33-7	17472-96303	40-10	18120-96320	41-2	
	34-7		36-11	18130-91L00	41-3	
	35-10		37-11	18132-89L00	41-8	
	31-8		38-11	18142-96300	41-4	
	32-8		39-11	18151-96310	41-9	

PART NO.	FIG.NO.-REF.NO.	PART NO.	FIG.NO.-REF.NO.	PART NO.	FIG.NO.-REF.NO.
18210-93002 18280-96320 18290-92L00 18711-92L10 18721-92L10 19121-94400	41-5	19861-92L00	42-7	23213-94400	47-7
	41-6		43-7		48-7
	41-7		44-7		49-7
	41-10		45-7		50-7
	41-11		46-10		51-7
19131-95502	42-1	20000	42-2	23311-95JL0	47-10
	43-1		48-10		
	44-1		49-10		
	45-1		50-10		
	46-1		51-10		
19132-96300 19135-94400	42-2	21110-92L00	47-13	25111-92L50	47-2-1
	43-2		48-13		48-2
	44-2		49-13		50-2
	45-2		50-13		51-2-1
	46-2		51-13		47-2-2
19136-94451 19136-95510	46-3	21121-93300	47-22	25111-92L60	49-2-1
	42-3		48-22		51-2-2
	43-3		49-22		47-2-3
	44-3		50-22		49-2-2
	45-3		51-22		51-2-3
19136-94451 19136-95510	46-4	21121-94400	47-16	25211-92L00	47-3
	46-5		48-16		48-3
	42-4		49-16		49-3
	43-4		50-16		50-3
	44-4		51-16		51-3
19522-94400	45-4	21131-96010	101-6	25212-94401	47-4
	42-8		102-6		48-4
	43-8		103-6		49-4
	44-8		104-6		50-4
	45-8		105-6		51-4
19654-94421	42-5	22511-92L00	85-1	25223-94400	47-19
	43-5		86-1		48-19
	44-5		87-1		49-19
	45-5		88-1		50-19
	46-6		89-1		51-19
19811-94400	42-9	23111-92L00	47-1	25232-96302	47-25
	43-9		48-1		48-25
	44-9		49-1		49-25
	45-9		50-1		50-25
	46-7		51-1		51-25
19815-94400	42-10	23131-94400	47-12	25311-94402	47-9
	43-10		48-12		48-9
	44-10		49-12		49-9
	45-10		50-12		50-9
	46-8		51-12		51-9
19851-94401	42-6	23211-94401	47-21	25700-88L00	95-27
	43-6		48-21		130-17
	44-6		49-21		80-29
	45-6		50-21		81-29
	46-9		51-21		82-30

PART NO.	FIG.NO.-REF.NO.	PART NO.	FIG.NO.-REF.NO.	PART NO.	FIG.NO.-REF.NO.
	83-30		71-1	31360-96300	57-5
	84-29		74-1		58-5
	90-18		75-5		59-5
	91-18		130-6	31800-94401	65-21
	92-18		133-47		67-21
	93-18		134-47		68-21
29141-93J00	94-18	29404-93J20	133-29	31911-92L00	21-4
	36-4		134-29		23-4
	37-4	29440-93J00	85-27		24-4
	38-4		86-27	31912-92L00	57-13
	39-4		87-30		58-13
	40-4		88-30		59-13
	47-11		89-27	31918-94401	57-14
	48-11				58-14
	49-11				59-14
	50-11			32101-92L00	60-1-2
	51-11				61-1
	115-5				64-1
	116-5			32101-94430	60-1-1
	135-8				62-1
	136-8	31100-94401	57-1		63-1
	137-8		58-1	32102-92L00	60-16-1
	138-8		59-1		62-16
	139-8	31101-94402-0EP	121-1		63-16
29141-93J20	80-23		122-1	32102-92L10	60-16-2
	81-23		123-1		61-16
	82-24	31131-96300	57-7	32102-92L20	64-16
	83-24		58-7	32102-94451	121-3
	84-23		59-7		122-3
29162-93J00	36-5	31132-96300	57-8	32102-94461	123-3
	37-5		58-8	32120-94420	60-2
	38-5		59-8		61-2
	39-5	31135-89J00	57-9		62-2
	40-5		58-9		63-2
29162-93J10	80-18		59-9		64-2
	81-18	31173-89J00	57-6	32140-94400	60-5
	82-18		58-6		61-5
	83-18		59-6		62-5
	84-18	31281-93340	57-10		63-5
29404-93J10	31-14		58-10		64-5
	32-14		59-10	32150-94410	60-6
	33-14	31310-96300	57-2		61-6
	34-14		58-2		62-6
	35-13		59-2		63-6
	65-3	31312-96300	57-4		64-6
	66-3		58-4	32500-95722	130-3
	67-3		59-4		131-3
	68-3	31320-94400	57-3		132-3
	69-3		58-3	32800-95D01	70-1
	70-11		59-3		72-1

PART NO.	FIG.NO.-REF.NO.	PART NO.	FIG.NO.-REF.NO.	PART NO.	FIG.NO.-REF.NO.
	73-1		98-25		126-16-2
	127-9		99-25	34310-92E00	124-17
	128-9	33816-96300	70-9		125-17
	129-9		133-31		126-17
32801-94402	127-8		134-31	34360-92E00	124-18
	128-8	33833-91J00	65-4		125-18
	129-8		65-28		126-18
32890-94401	65-13		66-4	34500-93J00	124-3-1
	67-13		66-17		125-3-1
	68-13		67-4		126-3-1
32891-94401	65-19		68-4	34500-93J11	124-3-2
	67-19		69-4		125-3-2
	68-19		69-17		126-3-2
32900-92L00	65-1		75-12	34600-93J00	124-1-1
	66-1		76-5		125-1-1
	67-1		79-5		126-1-1
	68-1		133-32	34600-93J11	124-1-2
32900-92L10	69-1		134-32		125-1-2
32916-92L00	65-27	34100-93J20	124-5-1		126-1-2
	66-16		125-5-1	34850-94610	130-15
	67-27		126-5-1	34853-94700	130-16
	68-27	34100-93J31	124-5-2	34860-94402	133-33
	69-16		125-5-2		134-33
32919-92L00	65-24		126-5-2	36360-94400	133-34
	66-13	34100-93J40	124-5-3		134-34
	67-24		125-5-3	36367-95D10-064	133-35
	68-24		126-5-3		134-35
	69-13	34100-93J51	124-5-4	36610-94411	77-1
32950-92L00	65-8		125-5-4		78-1
	66-8		126-5-4	36612-94421	77-2
	67-8	34190-87D00	124-12		78-2
	68-8		125-12	36615-96300	124-9
	69-8		126-12		124-15
33410-92L00	65-25	34190-95500	124-10		125-9
	66-14		125-10		125-15
	67-25		126-10		126-9
	68-25	34191-92E00	124-7		126-15
	69-14		125-7	36620-87D20	130-1-1
33510-95520	65-6		126-7		131-1-1
	66-6	34200-93J20	124-13-1		132-1-1
	67-6		125-13-1	36620-92E00	130-7
	68-6		126-13-1		131-6
	69-6	34200-93J31	124-13-2		132-6
33800-94433	121-2		125-13-2	36620-92E20	117-2
	122-2		126-13-2		118-2
	123-2	34300-93J00	124-16-1	36620-95302	130-1-2
33810-94411	70-6		125-16-1		131-1-2
	72-6		126-16-1		132-1-2
	73-6	34300-93J11	124-16-2	36628-92E00	117-3
33811-94400	96-25		125-16-2		118-3

PART NO.	FIG.NO.-REF.NO.	PART NO.	FIG.NO.-REF.NO.	PART NO.	FIG.NO.-REF.NO.
36630-92E00	130-14		132-7		117-5-9
	131-8	37110-94471	75-1		118-5-9
	132-8		133-37		133-38-9
36631-94300	130-2		134-37		134-38-9
	131-2	37110-99E01	117-4	37141-99E90	75-2-12
	132-2		118-4		117-5-10
36634-93910	127-4	37132-93700	127-12		118-5-10
	128-4		128-12		133-38-10
	129-4		129-12		134-38-10
36740-93901	70-4	37141-99E00	75-2-3	37141-99EA0	75-2-1
	72-4		117-5-1		117-5-11
	73-4		118-5-1		118-5-11
	121-4		133-38-1		133-38-11
	122-4		134-38-1		134-38-11
	123-4	37141-99E10	75-2-4	37141-99EB0	75-2-2
36740-95253	127-10		117-5-2		117-5-12
	128-10		118-5-2		118-5-12
	129-10		133-38-2		133-38-12
36791-94504	72-10		134-38-2		134-38-12
	73-10	37141-99E20	75-2-5	37143-99E00	75-3
36893-94410	133-36		117-5-3		117-6
	134-36		118-5-3		118-6
36894-94401	90-17		133-38-3		133-39
	91-17		134-38-3		134-39
	92-17	37141-99E30	75-2-6	37149-93J00	75-4
	93-17		117-5-4		117-7
	94-17		118-5-4		118-7
36894-95201	80-28		133-38-4		133-40
	81-28		134-38-4		134-40
	82-29	37141-99E40	75-2-7	37210-93J00	130-18
	83-29		117-5-5		131-9
	84-28		118-5-5		132-9
	90-2		133-38-5	37212-93J00	130-19
	91-2		134-38-5		131-10
	92-2	37141-99E50	75-2-8		132-10
	93-2		117-5-6	37721-94404	70-15
	94-2		118-5-6		72-13
36895-94400	70-19		133-38-6		73-13
	71-4		134-38-6	37721-94600	117-8
	72-17	37141-99E60	75-2-9		118-8
	73-17		117-5-7	37725-94302	70-16
	74-4		118-5-7		72-14
36899-92L00	70-13		133-38-7		73-14
	71-3		134-38-7	37726-94402	70-17
	74-3	37141-99E70	75-2-10		72-15
	127-16		117-5-8		73-15
36990-87D00	128-16		118-5-8	37820-92E03	117-9
	129-16		133-38-8		118-9
	130-8		134-38-8		133-41
	131-7	37141-99E80	75-2-11		134-41

PART NO.	FIG.NO.-REF.NO.	PART NO.	FIG.NO.-REF.NO.	PART NO.	FIG.NO.-REF.NO.
37823-92E01	117-10				83-3
	118-10				84-3
	133-42			41213-98100	80-6
	134-42				81-6
37823-97J00	75-8				82-6
	76-2	41111-92L10-0EP	80-1		83-6
	79-2		81-1		84-6
37826-92E00	117-11		82-1	41225-94400	80-27
	118-11		83-1		81-27
	133-43		84-1		82-28
	134-43	41121-92L10-0EP	80-2		83-28
37826-97J00	75-9		81-2		84-27
	76-3		82-2	41225-94502	85-10
	79-3		83-2		86-10
37830-92L01	75-7		84-2		87-10
	76-1	41130-92L00	80-9		88-10
	79-1		81-9		89-10
37835-95D00	75-13		82-9	41311-92L00	80-14
	76-6		83-9		81-14
	79-6		84-9		82-14
37859-90J00	117-53	41141-94301	80-30		83-14
	118-53		81-30		84-14
38500-92X50	117-13		82-31	43111-92L10-0EP	85-2
	118-13		83-31		86-2
38501-95500	130-9		84-30		87-2
38600-94400	77-4	41151-94500	80-7		88-2
	78-4		81-7		89-2
	130-11		82-7	43211-87JL0	85-3
39600-93910	127-1		83-7		86-3
	128-1		84-7		87-3
	129-1	41153-96300	80-11		88-3
39601-95D00	127-3		81-11		89-3
	128-3		82-11	43411-97E00	85-23
	129-3		83-11		86-23
39602-93900	127-5		84-11		87-26
	128-5	41161-94400	82-21		88-26
	129-5		83-21		89-23
39603-94400	127-6	41200-92L00	80-20	43412-93900	85-24
	128-6		81-20		86-24
	129-6		82-20		87-27
39669-94400	96-28-1		83-20		88-27
	96-28-2		84-20		89-24
	97-26	41211-92L00	80-5	43711-92L00	85-4
	98-28		81-5		86-4
	99-28		82-5		87-4
	100-25		83-5		88-4
			84-5		89-4
		41212-91LL0-0EP	80-3	43750-92L20-0EP	85-5
			81-3		86-5
			82-3		87-5

PART NO.	FIG.NO.-REF.NO.	PART NO.	FIG.NO.-REF.NO.	PART NO.	FIG.NO.-REF.NO.
43755-97E01	88-5	45713-92L00	89-28	54151-99E00	90-8
	89-5		85-29	91-8	
	87-23		86-29	92-8	
	88-23		86-37	93-8	
45231-92L00	85-11		87-32		94-8
	86-11		88-32	54160-92L00	90-12-2
45241-92L00	87-11		88-40		92-12-2
	88-11		89-29	54160-94410	94-12-2
	89-11				90-12-1
	85-12				91-12
	86-12				92-12-1
	87-12				93-12
45250-94400	88-12	50000			94-12-1
	89-12				90-13
	85-13			54165-94400	91-13
	86-13		52110-92L30-0EP	90-6-1	
45255-93001	87-13		91-6		93-13
	88-13		93-6		94-13
	89-13		94-6-1	54211-92L00-0EP	90-9
	85-14	52110-92L40-0EP	90-6-3		91-9
	86-14		92-6-2		92-9
45255-95500	87-14		94-6-3		93-9
	88-14	52110-92L50-0EP	90-6-2		94-9
	89-14		92-6-1	54221-92L10-0EP	90-10
	85-33		94-6-2		91-10
	86-28	54121-94401	26-7		92-10
	86-41		27-7		93-10
45261-92L00	87-36		28-7		94-10
	88-31		29-7	55100-92L20-0EP	95-1
	88-44		30-7	55122-88L00	95-8
	89-33	54125-94400	26-8	55125-92L00	95-9
	85-15		27-8	55181-95200	95-25
	86-15		28-8	55300-95500	95-24
	87-15		29-8	56120-92L10-0EP	52-27
	88-15		30-8		53-26
	89-15	54130-92L00	26-12		54-27
	85-37		27-12		55-26
45331-94610	86-45		28-12		56-27
	87-40		29-12	56130-92L10-0EP	36-12
	88-48		30-12		37-12
	89-37	54137-92L10	26-9		38-12
	80-12		27-9		39-12
45420-94311	81-12		28-9		40-12
	82-12		29-9	57110-92L00	52-1-3
	83-12		30-9		54-1-2
	84-12	54146-94400	26-10		56-1-3
	85-28		27-10	57110-92L10	52-1-1
45700-92L00	86-36		28-10		53-1
	87-31		29-10		55-1
	88-39		30-10		56-1-1

PART NO.	FIG.NO.-REF.NO.	PART NO.	FIG.NO.-REF.NO.	PART NO.	FIG.NO.-REF.NO.	
57110-92L20	52-1-2	58100-88LM0-019	95-22-2	61400-92L00-0EP	101-1	
57130-94301	54-1-1	58100-88LN0-019	95-22-5		102-1	
	56-1-2	58100-88LP0-019	95-22-6		103-1	
	52-2	58100-92L20-019	95-22-3		104-1	
	54-2	58100-92L30-019	95-22-4		105-1	
57133-92L00	56-2	58120-92L00	95-23	61431-92L00-0EP	101-2	
	52-10	59412-91J00	35-26		102-2	
	53-9	59800-90L00	101-10		103-2	
	54-10		102-10		104-2	
	55-9		103-10		105-2	
	56-10		104-10	61435-944A1	101-5	
57311-94402	52-11		105-10		102-5	
	53-10				103-5	
57510-94402	54-11				104-5	
	55-10				105-5	
	56-11			61441-91L00	101-7	
	52-14				102-7	
	53-13				103-7	
57521-94401	54-14	60000			104-7	
	55-13			105-7		
	56-14		61111-92L10-0EP	96-1	61449-93921	105-11
	52-24			97-1	61458-89L00	101-8
	53-23			98-1		102-8
	54-24			99-1		103-8
	55-23			100-1		104-8
	56-24		61112-92L00	96-2		105-8
	52-22			97-2	61472-94J00	41-20
	53-21			98-2	61610-90L00	96-15
54-22		99-2		97-15		
55-21		100-2		98-15		
56-22	61113-92L00	96-3		99-15		
57621-92L10	52-18		97-3		100-15	
	53-17		98-3	61616-93EL0	96-16	
	54-18		99-3		97-16	
	55-17		100-3		98-16	
	56-18	61131-92L00-RB4	96-4		99-16	
57630-94300		97-4		100-16		
57631-95303	52-16		98-4	61622-95500	101-3	
	53-15		99-4		102-3	
57632-92L00	54-16		100-4		103-3	
	55-15	61138-944L0	96-23		104-3	
	56-16		97-23		105-3	
	95-16		98-23	61642-93902	96-17	
	95-18		99-23		97-17	
57634-88L00	52-17		100-23		98-17	
58100-88LL0-019	53-16	61155-94400	96-22		99-17	
	54-17		97-22		100-17	
	55-16		98-22	63001-97E10-0EP	133-1	
	56-17		99-22		134-1	
	95-22-1		100-22	63111-92L00-0EP	106-2	

PART NO.	FIG.NO.-REF.NO.	PART NO.	FIG.NO.-REF.NO.	PART NO.	FIG.NO.-REF.NO.
63111-97E05-0EP	107-2	63220-96302	133-12		112-1
	108-2		134-12		113-1
	133-2	63223-89E00	108-12	65000-99100	114-1
	134-2	63223-92D00	106-12	65318-93910	113-20
63115-97E00	106-3		107-12	65520-95D00	109-2
	107-3		133-13		110-2
63116-97E00	108-3	63225-93200	134-13		111-2
	133-3		106-13	112-2	
	134-3		107-13	113-2	
	106-4		108-13	114-2	
	107-4		133-14	109-3	
63117-97E01	108-4	63225-94J00	134-14		110-3
	133-4		106-18	111-3	
	134-4		107-18	112-3	
	106-5		108-18	113-3	
	107-5		133-15	114-3	
63125-97E01	108-5	63227-93200	134-15	65700-87DA1	109-8
	133-5	63240-94J10	106-15		110-8
	134-5		107-15	111-8	
	106-6		108-15	112-8	
	107-6		133-16	114-13	
108-6	134-16		113-13		
63126-97E01	133-6	63241-92D00	133-17	65700-95D04	114-8
	134-6		134-17	113-8	
	106-7		106-16	65700-96362	113-8
	107-7		107-16	65720-95512	35-14
	108-7		108-16	65720-985L0	35-5
63128-97E00	133-7	63244-94J00	106-17		109-13
	134-7		107-17	110-13	
	106-8		108-17	111-13	
	107-8		106-20	112-13	
	108-8		107-20	109-4	
63131-92L10-0EP	133-9	63610-94402	108-20		111-4
	134-9		133-18	112-4	
	106-9		134-18	113-4	
	107-9		98-29	114-7	
	108-9		99-29	109-9	
63131-97E03-0EP	133-10	63625-96300	106-21		110-9
	134-10		107-21	111-9	
	106-10		108-21	112-9	
63210-93E30	107-10	63627-94400	133-19		113-9
	108-10		134-19	114-9	
	133-11		106-22	114-14	
	134-11		107-22	109-10	
	106-32		108-22	110-10	
63215-93401	107-32		133-20		111-10
	108-32		134-20	112-10	
	63220-91L00		106-11	65000-95D01	109-1
	107-11		110-1		113-14
	108-11		111-1		114-10

PART NO.	FIG.NO.-REF.NO.	PART NO.	FIG.NO.-REF.NO.	PART NO.	FIG.NO.-REF.NO.	
65770-90J11	114-15	67212-95600	117-14	67292-94300	117-42	
	109-11		118-14		118-42	
65770-90L01	110-11	67213-92E00	117-15	67294-95600	117-43	
	111-11		118-15		118-43	
	112-11		67220-95620		117-18	135-15
	114-11				118-18	136-15
	113-11		67223-99E10		117-19	137-10
65779-93900	113-15	67229-95600	118-19	67296-90J00	138-10	
	109-12		117-20		139-15	
65781-98500	110-12	67232-95600	118-20	67296-94300	117-44	
	111-12		117-21		118-44	
	112-12		118-21		117-17	
	113-12		67238-87D00		117-22	118-17
	113-16		118-22		67296-94300	117-45
65830-95500	114-12	67241-99E10	117-23	67296-94310	118-45	
	114-16		118-23		117-36	
	113-17		67243-95600		117-24	118-36
	114-17		118-24		67296-95600	117-46
	109-5		117-25		118-46	
65831-95D00	110-5	67244-95600	118-25	67296-95610	117-47	
	111-5		67245-95600		117-26	118-47
	112-5		118-26		67296-95620	135-16
	113-5		67251-99E10		117-27	136-16
	114-4		118-27		137-11	
65842-94401	113-18	67252-95600	117-28	67297-95600	138-11	
	114-18		118-28		139-16	
	109-6		67253-95600		117-29	117-48
	110-6		118-29		118-48	
	111-6		67255-99E00		117-30	67320-93J00
65890-95D00	112-6	67256-95600	118-30	67320-93J20	136-17-1	
	113-6		117-31		137-12-1	
	114-5		118-31		138-12-1	
	109-7		67257-99E00		117-32	139-17-1
	110-7		118-32		138-12	
65892-95D00	111-7	67258-99E00	117-33	67320-93J10	135-17-2	
	112-7		118-33		136-17-2	
	113-7		67259-87D00		117-34	137-12-2
	114-6		118-34		139-17-2	
	135-1		67261-99E00		117-35	67320-93J20
67130-94812	136-1	67264-95600	118-35	67320-93J20	135-17-3	
	137-1		117-37		136-17-3	
	138-1		118-37		137-12-3	
	139-1		67267-93J00		117-38	138-12-3
	135-14		118-38		117-38	139-17-3
67140-95600	136-14	67273-95600	117-39	67320-93J30	135-17-4	
	137-9		118-39		136-17-4	
	138-9		67275-95600		118-39	137-12-4
	139-14		118-40		138-12-4	
	117-1		67288-92E00		117-41	139-17-4
67200-97E44	118-1		118-41	67320-93J40	135-17-5	
					136-17-5	

PART NO.	FIG.NO.-REF.NO.	PART NO.	FIG.NO.-REF.NO.	PART NO.	FIG.NO.-REF.NO.
67320-93J50	137-12-5	67701-94430	139-6	99011-92L30-063	105-13
	138-12-5		119-1		
	139-17-5		120-1		
	135-17-6		135-9		
	136-17-6		136-9		
67320-93J60	137-12-6	67721-94310	139-9	00000	
	138-12-6		119-2		
	139-17-6		120-2		
	135-17-7		135-10		
	136-17-7		136-10		
67320-93J70	137-12-7	67725-99E10	139-10	01411-0820A	11-5
	138-12-7		119-3		12-5
	139-17-7		120-3		13-5
	135-17-8		135-11		14-5
	136-17-8		136-11		15-5
67320-93J80	137-12-8	67726-99E00	139-11	01550-06127	20-3
	138-12-8		119-4		65-2
	139-17-8		120-4		65-9
	135-17-9		135-12		65-18
	136-17-9		136-12		66-2
67331-94400	137-12-9	67728-99E00	139-12	01550-06207	66-9
	138-12-9		119-5		67-2
	139-17-9		120-5		67-9
	115-1		135-13		67-18
	116-1		136-13		68-2
67341-94400	135-2	68110-87L00	139-13	01550-06307	68-9
	136-2		101-11		68-18
	137-2		102-11		69-2
	138-2		103-11		69-9
	139-2		104-11		75-10
67466-95200	115-6	68111-99J00	105-12	01550-06307	76-4
	116-6		101-9		79-4
	135-3		102-9		65-26
	136-3		103-9		66-15
	137-3		104-9		67-26
67467-94404	138-3	68165-16B00-13L	105-9	01550-06307	68-26
	139-3		117-12		69-15
	115-2		118-12		1-6
	116-2		69711-93E10		41-17
	135-5		69712-93E10		41-18
67467-94404	136-5	90000	2-21	99000-81159-50M	41-19
	137-5		3-6		5-6
	138-5		3-21		5-21
	139-5		4-6		11-1
	115-3		4-21		11-11
67467-94404	116-3	99011-92L20-063	101-12	99011-92L20-063	12-1
	135-6		102-12		
	136-6		103-12		
	137-6		103-12		
	138-6		104-12		

PART NO.	FIG.NO.-REF.NO.	PART NO.	FIG.NO.-REF.NO.	PART NO.	FIG.NO.-REF.NO.
01550-06407	12-11	02112-0406A	23-6	02142-05307	73-2
	13-1		24-6		127-13
	13-11		57-15		128-13
	14-1		58-15		129-13
	14-11		59-15		42-15
01550-06457	15-1	02112-04087	60-14	02142-06127	43-15
	15-11		61-14		44-15
	35-22		62-14		45-15
	1-13		63-14		70-8
	2-13		64-14		70-12
01550-08257	3-13	02112-05087	60-12	02142-06167	70-20
	4-13		61-12		71-2
	5-13		62-12		71-5
	1-14		63-12		74-2
	2-14		64-12		74-5
01550-08357	3-14	02112-05107	130-10	02162-05167	75-6
	4-14		60-7		133-48
	5-14		60-10		134-48
	21-5		61-7		72-8
	23-5		61-10		73-8
01550-10557	24-5	02112-05167	62-7	02162-06127	47-17
	1-8		62-10		48-17
	2-8		63-7		49-17
	3-8		63-10		50-17
	4-8		64-7		51-17
01560-08757	5-8	02112-06257	64-10	02162-06167	42-14
	41-15		130-12		42-16
	1-11		16-14		43-14
	2-11		17-14		43-16
	3-11		18-14		44-14
01560-10657	4-11	02112-3306A	19-14	02162-06257	44-16
	5-11		60-3		45-14
	1-5		61-3		45-16
	2-5		62-3		46-14
	3-5		63-3		47-8
01570-06407	4-5	02112-06167	64-3	03112-06303	48-8
	5-5		11-9		49-8
	1-12		12-9		50-8
	2-12		13-9		51-8
	3-12		14-9		130-4
01580-06167	4-12	02122-06167	15-9	02162-06257	131-4
	5-12		77-5		132-4
	31-15		78-5		70-14
	32-15		11-10		72-9
	33-15		12-10		73-9
01580-08257	34-15	02142-05257	13-10	03142-04309	41-16
	70-18		14-10		124-11
	72-16		15-10		125-11
	73-16		70-2		126-11
	21-6		72-2		95-5

PART NO.	FIG.NO.-REF.NO.	PART NO.	FIG.NO.-REF.NO.	PART NO.	FIG.NO.-REF.NO.
03212-0512B	65-20		65-22		61-4
	67-20		67-22		62-4
	68-20		68-22		63-4
03222-0520B	11-22		96-21		64-4
	12-22		97-21		65-23
	13-22		98-21		67-23
	14-22		99-21		68-23
	15-22		100-21		130-5
03241-0625A	70-10	08316-10087	11-2		131-5
	133-49		12-2		132-5
	134-49		13-2	08322-01057	60-8
03542-06169	101-4		14-2		61-8
	102-4		15-2		62-8
	103-4		31-16		63-8
	104-4		32-16		64-8
	105-4		33-16	08322-01067	72-11
04211-09109	1-10		34-16		73-11
	2-10		35-23	08331-3115A	47-18
	3-10	08321-01047	60-13		48-18
	4-10		60-15		49-18
	5-10		61-13		50-18
08211-20263	52-15		61-15		51-18
	53-14		62-13	08341-31059	60-18
	54-15		62-15		61-18
	55-14		63-13		62-18
	56-15		63-15		63-18
08211-35451	52-25-6		64-13		64-18
	53-24-6		64-15	09100-06175	96-5
	54-25-6	08321-0105A	16-15		97-5
	55-24-6		17-15		98-5
	56-25-6		18-15		99-5
08221-35455	52-25-1		19-15		100-5
	53-24-1		60-9	09100-08232	117-49
	54-25-1		60-11		118-49
	55-24-1		61-9	09100-08309	85-25
	56-25-1		61-11		86-25
08221-35456	52-25-4		62-9		87-28
	53-24-4		62-11		88-28
	54-25-4		63-9		89-25
	55-24-4		63-11	09100-08311	80-15
	56-25-4		64-9		81-15
08310-00057	70-3		64-11		82-15
	72-3		127-15		83-15
	73-3		128-15		84-15
	127-14		129-15	09100-10155	133-21
	128-14		130-13		134-21
	129-14	08321-01067	57-12	09100-10316	87-24
08310-00067	57-11		58-12		88-24
	58-11		59-12	09100-10317	106-23
	59-11		60-4		107-23

PART NO.	FIG.NO.-REF.NO.	PART NO.	FIG.NO.-REF.NO.	PART NO.	FIG.NO.-REF.NO.
	108-23		84-22		30-21
09100-10321	26-13	09116-06223	96-14		95-13
	27-13		97-14	09117-06030	85-31
	28-13		98-14		86-39
	29-13		99-14		87-34
	30-13		100-14		88-42
09100-12123	90-19	09116-06225	86-31	09118-08168	89-31
	91-19		88-34		90-5
	92-19		115-7		91-5
	93-19		116-7		92-5
	94-19	09116-06227	96-20		93-5
09103-06048	42-11		97-20		94-5
	43-11		98-20	09118-08171	90-4
	44-11		99-20		91-4
	45-11		100-20		92-4
	46-11	09116-06228	26-19		93-4
09103-06049	65-14		27-19		94-4
	67-14		28-19	09118-08172	90-3
	68-14		29-19		91-3
09108-06060	36-6		30-19		92-3
	37-6	09116-06234	26-6		93-3
	38-6		27-6		94-3
	39-6		28-6	09119-06047	115-4
	40-6		29-6		116-4
09108-06061	36-7		30-6		135-7
	37-7	09116-06237	135-4		136-7
	38-7		136-4		137-7
	39-7		137-4		138-7
	40-7		138-4		139-7
09108-10137	106-1		139-4	09125-05042	117-16
	107-1	09116-08147	95-10		118-16
	108-1	09116-08151	52-31	09125-05046	95-7
	133-8		53-30		133-22
	134-8		54-31		134-22
09111-10045	85-30		55-30	09125-05129	96-6
	86-38		56-31		97-6
	87-33	09116-08152	80-8		98-6
	88-41		81-8		99-6
	89-30		82-8		100-6
09111-10067	80-21		83-8	09125-06089	11-21
	81-21		84-8		12-21
	82-22	09116-08153	90-11		13-21
	83-22		91-11		14-21
	84-21		92-11		15-21
	86-30		93-11	09126-05003	117-50
	88-33		94-11		118-50
09111-10069	80-22	09116-08155	26-21	09126-06005	1-20
	81-22		27-21		2-20
	82-23		28-21		3-20
	83-23		29-21		4-20

PART NO.	FIG.NO.-REF.NO.	PART NO.	FIG.NO.-REF.NO.	PART NO.	FIG.NO.-REF.NO.
09126-06015	5-20	09140-12038 09140-18014	56-12	09160-06066	98-8
	106-25		35-15		99-8
	107-25		60-21		100-8
	108-25		61-21		11-19
	133-23		62-21		12-19
09126-06022	134-23	09141-18005 09148-06008	63-21	09160-06084	13-19
	21-3		64-21		14-19
	22-3		95-20		15-19
	23-3		106-19		42-13
	24-3		107-19		43-13
09136-05041	25-3	09148-06017	108-19		44-13
	106-24		96-9		45-13
	107-24		97-9		46-13
	108-24		98-9		65-10
	96-13		99-9		65-15
09136-06145	97-13	09159-05042	100-9		66-10
	98-13		96-7		67-10
	99-13		97-7		67-15
	100-13		98-7		68-10
	60-17		99-7		68-15
09138-05011	61-17	09159-10L07	100-7	09160-06104	69-10
	62-17		26-16		96-10
	63-17		27-16		97-10
	64-17		28-16		98-10
	16-23		29-16		99-10
09140-04007	17-23		30-16	09160-08081	100-10
	18-23		106-26		117-52
	19-23		107-26		118-52
	20-36		108-26		80-17
	42-12		133-24		81-17
09140-05005	43-12	09159-12L03	134-24	09160-08091	82-17
	44-12		90-15		83-17
	45-12		91-15		84-17
	46-12		92-15		85-16
	117-51		93-15		85-26
09140-06020	118-51	09159-22L01	94-15		86-16
	80-16		80-19		86-26
	81-16		81-19		87-16
	82-16		82-19		87-29
	83-16		83-19		88-16
09140-10032	84-16	09160-05029	84-19	09160-08124	88-29
	35-24		85-34		89-16
	109-14		86-32		89-26
	110-14		86-42		41-14
	111-14		87-37		26-20
09140-12034	112-14		88-35	09160-10080	27-20
	52-12		88-45		28-20
	53-11		89-34		29-20
	54-12		96-8		30-20
	55-11		97-8		26-15

PART NO.	FIG.NO.-REF.NO.	PART NO.	FIG.NO.-REF.NO.	PART NO.	FIG.NO.-REF.NO.	
	27-15	09160-22018	52-23-1		8-10	
	28-15		53-22-1		9-10	
	29-15		54-23-1		10-10	
	30-15		55-22-1		85-6	
	80-25		56-23-1		86-6	
	81-25	09160-22019	52-23-2		87-6	
	82-26		53-22-2		88-6	
	83-26		54-23-2		89-6	
	84-25		55-22-2		96-18	
	106-27		56-23-2		97-18	
	107-27	09160-22020	52-23-3		98-18	
	108-27		53-22-3		99-18	
	133-25		54-23-3		100-18	
	134-25		55-22-3		80-24	
	26-14		56-23-3		81-24	
09160-10148	27-14	09160-22021	52-23-4		82-25	
	28-14		53-22-4		83-25	
	29-14		54-23-4		84-24	
	30-14		55-22-4		87-25	
	65-11		56-23-4		88-25	
09160-12007	66-16	09160-22022	52-23-5		106-28	
	66-11		53-22-5		107-28	
	67-11		54-23-5		108-28	
	67-16		55-22-5		133-26	
	68-11		56-23-5		134-26	
09160-12066	68-16	09160-22023	52-23-6		106-29	
	69-11		53-22-6		107-29	
	90-16		54-23-6		108-29	
	91-16		55-22-6		133-27	
	92-16		56-23-6		134-27	
09160-12067	93-16	09160-22033	80-10	09164-18001	60-20	
	94-16		81-10		61-20	
	133-44		82-10		62-20	
	134-44		83-10		63-20	
	90-20		84-10		64-20	
09160-12108	91-20	09160-24020	52-8	09166-25006	52-9	
	92-20		53-7		53-8	
	93-20		54-8		54-9	
	94-20		55-7		55-8	
	90-14		56-8		56-9	
09160-13018	91-14	09160-25069	75-11	09168-10022	95-12	
	92-14		133-45		09169-20007	6-6
	93-14		134-45		7-6	
	94-14		52-5		8-6	
	95-19		53-4		9-6	
09160-18028	60-19	09160-26015	54-5		10-6	
	61-19		55-4		11-20	
	62-19		56-5		12-20	
	63-19		6-10		13-20	
	64-19		7-10		14-20	
09160-18042	60-19	09160-27008	54-5		10-6	
	61-19		55-4		11-20	
	62-19		56-5		12-20	
	63-19		6-10		13-20	
	64-19		7-10		14-20	

PART NO.	FIG.NO.-REF.NO.	PART NO.	FIG.NO.-REF.NO.	PART NO.	FIG.NO.-REF.NO.
09180-06295	15-20		53-12-5		27-11
	96-11		54-4-5		28-11
	97-11		54-13-5		29-11
	98-11		55-3-5		30-11
	99-11		55-12-5	09204-01002	85-19
	100-11		56-4-5		85-35
09180-08169	41-12	09181-35131	56-13-5		86-19
09181-30186	52-4-1		52-25-2		86-33
	52-13-1		53-24-2		86-43
	53-3-1		54-25-2		87-19
	53-12-1		55-24-2		87-38
	54-4-1		56-25-2		88-19
	54-13-1	09181-35132	52-25-3		88-36
	55-3-1		53-24-3		88-46
	55-12-1		54-25-3		89-19
	56-4-1		55-24-3		89-35
09181-30187	56-13-1	09181-35136	56-25-3		106-31
	52-4-2		52-25-5		107-31
	52-13-2		53-24-5		108-31
	53-3-2		54-25-5		133-28
	53-12-2		55-24-5		134-28
	54-4-2		56-25-5	09204-03003	95-21
	54-13-2	09181-39001	85-7	09205-02004	47-23
	55-3-2		86-7		48-23
	55-12-2		87-7		49-23
	56-4-2		88-7		50-23
09181-30188	56-13-2	09200-05015	89-7		51-23
	52-4-3		85-17	09205-02013	47-6
	52-13-3		86-17		48-6
	53-3-3		87-17		49-6
	53-12-3		88-17		50-6
	54-4-3		89-17		51-6
	54-13-3	09200-08043	85-18	09205-03019	52-3
	55-3-3		86-18		53-2
	55-12-3		87-18		54-3
	56-4-3		88-18		55-2
09181-30190	56-13-3	09202-05022	89-18		56-3
	52-4-4		52-19	09205-03021	47-5
	52-13-4		53-18		48-5
	53-3-4		54-19		49-5
	53-12-4		55-18		50-5
	54-4-4		56-19		51-5
	54-13-4	09202-06025	95-15	09205-03038	106-14
	55-3-4	09202-06027	95-14		107-14
	55-12-4	09202-06031	90-1		108-14
	56-4-4		91-1	09205-06007	80-4
09181-30192	56-13-4		92-1		81-4
	52-4-5		93-1		82-4
	52-13-5		94-1		83-4
	53-3-5	09202-07001	26-11		84-4

PART NO.	FIG.NO.-REF.NO.	PART NO.	FIG.NO.-REF.NO.	PART NO.	FIG.NO.-REF.NO.
09205-06011	1-15		53-28		56-26
	2-15		54-29	09282-17009	26-18
	3-15		55-28		27-18
	4-15		56-29		28-18
	5-15	09263-22L03	95-2		29-18
	85-36	09263-25062	52-6		30-18
09205-08002	86-34		53-5	09282-17L01	36-13
	86-44		54-6		37-13
	87-39		55-5		38-13
	88-37		56-6		39-13
	88-47	09263-25L02	36-14		40-13
	89-36		37-14	09282-39001	85-8
09248-10008	95-11		38-14		86-8
09250-09001	72-12		39-14		87-8
	73-12		40-14		88-8
09250-12006	96-27	09263-27L01	6-9		89-8
	97-25		7-9	09283-30L02	6-20
	98-27		8-9		7-20
	99-27		9-9		8-20
09250-16008	98-30	09263-27L02	10-9		9-20
	99-30	09264-35L01	6-18		10-20
09250-33001	96-29		7-18	09283-35L01	6-21
	97-27		8-18		7-21
	100-26		9-18		8-21
09260-10005	47-14		10-18		9-21
	48-14	09265-30L01	95-3		10-21
	49-14	09280-08005	47-20	09289-22L01	52-30
	50-14		48-20		53-29
	51-14		49-20		54-30
09262-30L03	6-16		50-20		55-29
	7-16		51-20		56-30
	8-16	09280-11001	47-24	09289-45L01	6-19
	9-16		48-24		7-19
	10-16		49-24		8-19
09262-35070	52-28		50-24		9-19
	53-27		51-24		10-19
	54-28	09280-50008	26-17	09306-22006	85-20
	55-27		27-17		86-20
	56-28		28-17		87-20
09262-35L09	6-17		29-17		88-20
	7-17		30-17		89-20
	8-17	09280-63001	11-15	09320-04009	16-22
	9-17		12-15		17-22
	10-17		13-15		18-22
09263-20L06	6-5		14-15		19-22
	7-5		15-15		20-37
	8-5	09280-75001	52-26	09320-10035	96-12
	9-5		53-25		97-12
	10-5		54-26		98-12
09263-22L02	52-29		55-25		99-12

PART NO.	FIG.NO.-REF.NO.	PART NO.	FIG.NO.-REF.NO.	PART NO.	FIG.NO.-REF.NO.
09320-11004	100-12 133-46 134-46	09401-10412	35-19 35-9 113-19 114-19		108-30 133-30 134-30
09320-12011	65-12 65-17	09403-10312	60-22 61-22 62-22 63-22 64-22	09440-30005	52-7 53-6 54-7 55-6 56-7
	66-12 67-12 67-17 68-12 68-17 69-12	09403-14204	70-7 72-7 73-7	09440-40002	52-20 53-19 54-20 55-19 56-20
09320-12059 09352-50903-600	41-13 96-24 97-24 98-24 99-24 100-24	09407-10403	127-7 128-7 129-7	09441-17002	80-13 81-13 82-13 83-13 84-13
09352-70113-600 09355-50108-135 09355-50108-260 09355-50108-370 09380-38003	35-16 35-7 35-8 35-6 85-9 86-9 87-9 88-9 89-9	09407-10404	65-5 66-5 67-5 68-5 69-5 77-3 78-3 117-54 118-54	09443-12039	85-32 86-35 86-40 87-35 88-38 88-43 89-32
	89-9 6-4 7-4 8-4 9-4 10-4	09407-12402	124-8 125-8 126-8	09443-15031	85-21 86-21 87-21 88-21 89-21
09381-20003	10-4 96-19 97-19 98-19 99-19	09407-14407	125-8 126-8 96-26 98-26 99-26 127-2 128-2 129-2	09448-29009	80-26 81-26 82-27 83-27 84-26
09385-04003	97-19 98-19 99-19	09407-25402	96-26 98-26 99-26		
	100-19 6-22 7-22 8-22 9-22 10-22	09420-04006	36-8 37-8 38-8 39-8 40-8 47-15 48-15 49-15	09448-29018	85-22 86-22 87-22 88-22 89-22 124-6 124-14 125-6 125-14 126-6 126-14
09390-72008	6-23 7-23 8-23 9-23 10-23	09440-07078	47-15 48-15 49-15 50-15 51-15 52-21 53-20 54-21	09471-12028	124-6 124-14 125-6 125-14 126-6 126-14
09390-80002	6-23 7-23 8-23 9-23 10-23	09440-08043	50-15 51-15 52-21 53-20 54-21		
09401-08413	31-13 32-13 33-13 34-13	09440-12027	55-20 56-21 106-30 107-30	09471-12103	124-2 124-4 124-19 125-2

PART NO.	FIG.NO.-REF.NO.	PART NO.	FIG.NO.-REF.NO.	PART NO.	FIG.NO.-REF.NO.
	125-4 125-19 126-2 126-4 126-19				
09481-20001	70-5 72-5 73-5 121-5 122-5 123-5 127-11 128-11 129-11				
09482-00370	65-7 66-7 67-7 68-7 69-7 16-18 17-18 18-18 19-18 20-11				
09482-00532 09491-38007	16-18 17-18 18-18 19-18 20-11				
09491-38008 09492-65002 09492-67004	20-2 16-2 17-2 18-2 19-2 20-15				
09492-75001	20-15				

SUZUKI **DT40W** PARTS CATALOGUE

SUZUKI MOTOR CORPORATION All rights reserved

No part of this document may be reproduced or transmitted in any form or by any means, electronic or mechanical, for any purpose, without the express written permission of Suzuki Motor Corporation.

SUZUKI MOTOR CORPORATION

Technical Readiness Group, Quality Administration Department
300 Takatsuka, Minami, Hamamatsu, Japan

Reprint Prohibited

SUZUKI MOTOR CORPORATION